

Intel® 64 and IA-32 Architectures Optimization Reference Manual

Order Number: 248966-014
November 2006

INFORMATION IN THIS DOCUMENT IS PROVIDED IN CONNECTION WITH INTEL PRODUCTS. NO LICENSE, EXPRESS OR IMPLIED, BY ESTOPPEL OR OTHERWISE, TO ANY INTELLECTUAL PROPERTY RIGHTS IS GRANTED BY THIS DOCUMENT. EXCEPT AS PROVIDED IN INTEL'S TERMS AND CONDITIONS OF SALE FOR SUCH PRODUCTS, INTEL ASSUMES NO LIABILITY WHATSOEVER, AND INTEL DISCLAIMS ANY EXPRESS OR IMPLIED WARRANTY, RELATING TO SALE AND/OR USE OF INTEL PRODUCTS INCLUDING LIABILITY OR WARRANTIES RELATING TO FITNESS FOR A PARTICULAR PURPOSE, MERCHANTABILITY, OR INFRINGEMENT OF ANY PATENT, COPYRIGHT OR OTHER INTELLECTUAL PROPERTY RIGHT. INTEL PRODUCTS ARE NOT INTENDED FOR USE IN MEDICAL, LIFE SAVING, OR LIFE SUSTAINING APPLICATIONS.

Intel may make changes to specifications and product descriptions at any time, without notice.

Developers must not rely on the absence or characteristics of any features or instructions marked "reserved" or "undefined." Improper use of reserved or undefined features or instructions may cause unpredictable behavior or failure in developer's software code when running on an Intel processor. Intel reserves these features or instructions for future definition and shall have no responsibility whatsoever for conflicts or incompatibilities arising from their unauthorized use.

The Intel® 64 architecture processors may contain design defects or errors known as errata. Current characterized errata are available on request.

Hyper-Threading Technology requires a computer system with an Intel® processor supporting Hyper-Threading Technology and an HT Technology enabled chipset, BIOS and operating system. Performance will vary depending on the specific hardware and software you use. For more information, see <http://www.intel.com/technology/hyperthread/index.htm>; including details on which processors support HT Technology.

Intel® Virtualization Technology requires a computer system with an enabled Intel® processor, BIOS, virtual machine monitor (VMM) and for some uses, certain platform software enabled for it. Functionality, performance or other benefits will vary depending on hardware and software configurations. Intel® Virtualization Technology-enabled BIOS and VMM applications are currently in development.

64-bit computing on Intel architecture requires a computer system with a processor, chipset, BIOS, operating system, device drivers and applications enabled for Intel® 64 architecture. Processors will not operate (including 32-bit operation) without an Intel® 64 architecture-enabled BIOS. Performance will vary depending on your hardware and software configurations. Consult with your system vendor for more information.

Intel, Pentium, Intel Centrino, Intel Centrino Duo, Intel Xeon, Intel NetBurst, Intel Core Solo, Intel Core Duo, Intel Core 2 Duo, Intel Core 2 Extreme, Intel Pentium D, Itanium, Intel SpeedStep, MMX, and VTune are trademarks or registered trademarks of Intel Corporation or its subsidiaries in the United States and other countries.

*Other names and brands may be claimed as the property of others.

Contact your local Intel sales office or your distributor to obtain the latest specifications and before placing your product order.

Copies of documents which have an ordering number and are referenced in this document, or other Intel literature, may be obtained from:

Intel Corporation
P.O. Box 5937
Denver, CO 80217-9808

or call 1-800-548-4725
or visit Intel's website at <http://www.intel.com>

Copyright © 1997-2006 Intel Corporation

CHAPTER 1 INTRODUCTION

1.1	TUNING YOUR APPLICATION.....	1-1
1.2	ABOUT THIS MANUAL.....	1-2
1.3	RELATED INFORMATION.....	1-3

CHAPTER 2 INTEL® 64 AND IA-32 PROCESSOR ARCHITECTURES

2.1	INTEL® CORE™ MICROARCHITECTURE.....	2-2
2.1.1	Intel® Core™ Microarchitecture Pipeline Overview	2-3
2.1.2	Front End.....	2-4
2.1.2.1	Branch Prediction Unit	2-6
2.1.2.2	Instruction Fetch Unit.....	2-6
2.1.2.3	Instruction Queue (IQ).....	2-7
2.1.2.4	Instruction Decode.....	2-8
2.1.2.5	Stack Pointer Tracker	2-8
2.1.2.6	Micro-fusion	2-9
2.1.3	Execution Core	2-9
2.1.3.1	Issue Ports and Execution Units	2-10
2.1.4	Intel® Advanced Memory Access	2-13
2.1.4.1	Loads and Stores	2-14
2.1.4.2	Data Prefetch to L1 caches.....	2-14
2.1.4.3	Data Prefetch Logic	2-15
2.1.4.4	Store Forwarding	2-16
2.1.4.5	Memory Disambiguation.....	2-16
2.1.5	Intel® Advanced Smart Cache	2-17
2.1.5.1	Loads	2-18
2.1.5.2	Stores.....	2-19
2.2	INTEL NETBURST® MICROARCHITECTURE	2-19
2.2.1	Design Goals.....	2-20
2.2.2	Pipeline	2-20
2.2.2.1	Front End.....	2-22
2.2.2.2	Out-of-order Core.....	2-22
2.2.2.3	Retirement	2-23
2.2.3	Front End Pipeline Detail.....	2-23
2.2.3.1	Prefetching.....	2-23
2.2.3.2	Decoder	2-24
2.2.3.3	Execution Trace Cache	2-24
2.2.3.4	Branch Prediction.....	2-24
2.2.4	Execution Core Detail	2-25
2.2.4.1	Instruction Latency and Throughput	2-26
2.2.4.2	Execution Units and Issue Ports	2-26
2.2.4.3	Caches	2-28
2.2.4.4	Data Prefetch	2-29
2.2.4.5	Loads and Stores	2-31
2.2.4.6	Store Forwarding	2-32
2.3	INTEL® PENTIUM® M PROCESSOR MICROARCHITECTURE	2-32

CONTENTS

	PAGE
2.3.1	Front End..... 2-33
2.3.2	Data Prefetching..... 2-34
2.3.3	Out-of-Order Core..... 2-35
2.3.4	In-Order Retirement..... 2-35
2.4	MICROARCHITECTURE OF INTEL® CORE™ SOLO AND INTEL® CORE™ DUO PROCESSORS..... 2-36
2.4.1	Front End..... 2-36
2.4.2	Data Prefetching..... 2-37
2.5	INTEL® HYPER-THREADING TECHNOLOGY..... 2-37
2.5.1	Processor Resources and HT Technology..... 2-38
2.5.1.1	Replicated Resources..... 2-39
2.5.1.2	Partitioned Resources..... 2-39
2.5.1.3	Shared Resources..... 2-39
2.5.2	Microarchitecture Pipeline and HT Technology..... 2-40
2.5.3	Front End Pipeline..... 2-40
2.5.4	Execution Core..... 2-40
2.5.5	Retirement..... 2-41
2.6	MULTICORE PROCESSORS..... 2-41
2.6.1	Microarchitecture Pipeline and MultiCore Processors..... 2-43
2.6.2	Shared Cache in Intel® Core™ Duo Processors..... 2-43
2.6.2.1	Load and Store Operations..... 2-43
2.7	INTEL® 64 ARCHITECTURE..... 2-45
2.8	SIMD TECHNOLOGY..... 2-45
2.8.1	Summary of SIMD Technologies..... 2-48
2.8.1.1	MMX™ Technology..... 2-48
2.8.1.2	Streaming SIMD Extensions..... 2-48
2.8.1.3	Streaming SIMD Extensions 2..... 2-48
2.8.1.4	Streaming SIMD Extensions 3..... 2-49
2.8.1.5	Supplemental Streaming SIMD Extensions 3..... 2-49

CHAPTER 3 GENERAL OPTIMIZATION GUIDELINES

3.1	PERFORMANCE TOOLS..... 3-1
3.1.1	Intel® C++ and Fortran Compilers..... 3-1
3.1.2	General Compiler Recommendations..... 3-2
3.1.3	VTune™ Performance Analyzer..... 3-2
3.2	PROCESSOR PERSPECTIVES..... 3-3
3.2.1	CPUID Dispatch Strategy and Compatible Code Strategy..... 3-4
3.2.2	Transparent Cache-Parameter Strategy..... 3-5
3.2.3	Threading Strategy and Hardware Multithreading Support..... 3-5
3.3	CODING RULES, SUGGESTIONS AND TUNING HINTS..... 3-5
3.4	OPTIMIZING THE FRONT END..... 3-6
3.4.1	Branch Prediction Optimization..... 3-6
3.4.1.1	Eliminating Branches..... 3-7
3.4.1.2	Spin-Wait and Idle Loops..... 3-9
3.4.1.3	Static Prediction..... 3-9
3.4.1.4	Inlining, Calls and Returns..... 3-11
3.4.1.5	Code Alignment..... 3-12
3.4.1.6	Branch Type Selection..... 3-13
3.4.1.7	Loop Unrolling..... 3-15
3.4.1.8	Compiler Support for Branch Prediction..... 3-16

	PAGE
3.4.2	Fetch and Decode Optimization3-17
3.4.2.1	Optimizing for Micro-fusion3-17
3.4.2.2	Optimizing for Macro-fusion3-18
3.4.2.3	Length-Changing Prefixes (LCP)3-21
3.4.2.4	Optimizing the Loop Stream Detector (LSD)3-23
3.4.2.5	Scheduling Rules for the Pentium 4 Processor Decoder3-23
3.4.2.6	Scheduling Rules for the Pentium M Processor Decoder3-24
3.4.2.7	Other Decoding Guidelines3-24
3.5	OPTIMIZING THE EXECUTION CORE3-24
3.5.1	Instruction Selection3-25
3.5.1.1	Use of the INC and DEC Instructions3-26
3.5.1.2	Integer Divide3-26
3.5.1.3	Using LEA3-26
3.5.1.4	Using SHIFT and ROTATE3-27
3.5.1.5	Address Calculations3-27
3.5.1.6	Clearing Registers and Dependency Breaking Idioms3-27
3.5.1.7	Compares3-30
3.5.1.8	Using NOPs3-31
3.5.1.9	Mixing SIMD Data Types3-31
3.5.1.10	Spill Scheduling3-32
3.5.2	Avoiding Stalls in Execution Core3-32
3.5.2.1	ROB Read Port Stalls3-33
3.5.2.2	Bypass between Execution Domains3-34
3.5.2.3	Partial Register Stalls3-34
3.5.2.4	Partial XMM Register Stalls3-36
3.5.2.5	Partial Flag Register Stalls3-37
3.5.2.6	Floating Point/SIMD Operands in Intel NetBurst microarchitecture3-38
3.5.3	Vectorization3-38
3.5.4	Optimization of Partially Vectorizable Code3-40
3.5.4.1	Alternate Packing Techniques3-42
3.5.4.2	Simplifying Result Passing3-42
3.5.4.3	Stack Optimization3-43
3.5.4.4	Tuning Considerations3-44
3.6	OPTIMIZING MEMORY ACCESSES3-46
3.6.1	Load and Store Execution Bandwidth3-46
3.6.2	Enhance Speculative Execution and Memory Disambiguation3-47
3.6.3	Alignment3-47
3.6.4	Store Forwarding3-50
3.6.4.1	Store-to-Load-Forwarding Restriction on Size and Alignment3-51
3.6.4.2	Store-forwarding Restriction on Data Availability3-55
3.6.5	Data Layout Optimizations3-56
3.6.6	Stack Alignment3-59
3.6.7	Capacity Limits and Aliasing in Caches3-60
3.6.7.1	Capacity Limits in Set-Associative Caches3-60
3.6.7.2	Aliasing Cases in Processors Based on Intel NetBurst Microarchitecture3-61
3.6.7.3	Aliasing Cases in the Pentium M, Intel Core Solo, Intel Core Duo and Intel Core 2 Duo Processors3-62
3.6.8	Mixing Code and Data3-63
3.6.8.1	Self-modifying Code3-64
3.6.9	Write Combining3-64
3.6.10	Locality Enhancement3-65
3.6.11	Minimizing Bus Latency3-67

	PAGE	
3.6.12	Non-Temporal Store Bus Traffic	3-67
3.7	PREFETCHING	3-68
3.7.1	Hardware Instruction Fetching and Software Prefetching	3-69
3.7.2	Software and Hardware Prefetching in Prior Microarchitectures	3-69
3.7.3	Hardware Prefetching for First-Level Data Cache	3-70
3.7.4	Hardware Prefetching for Second-Level Cache	3-73
3.7.5	Cacheability Instructions	3-74
3.7.6	REP Prefix and Data Movement	3-74
3.8	FLOATING-POINT CONSIDERATIONS	3-77
3.8.1	Guidelines for Optimizing Floating-point Code	3-77
3.8.2	Floating-point Modes and Exceptions	3-79
3.8.2.1	Floating-point Exceptions	3-79
3.8.2.2	Dealing with floating-point exceptions in x87 FPU code	3-79
3.8.2.3	Floating-point Exceptions in SSE/SSE2/SSE3 Code	3-80
3.8.3	Floating-point Modes	3-81
3.8.3.1	Rounding Mode	3-81
3.8.3.2	Precision	3-83
3.8.3.3	Improving Parallelism and the Use of FXCH	3-84
3.8.4	x87 vs. Scalar SIMD Floating-point Trade-offs	3-84
3.8.4.1	Scalar SSE/SSE2 Performance on Intel Core Solo and Intel Core Duo Processors	3-85
3.8.4.2	x87 Floating-point Operations with Integer Operands	3-86
3.8.4.3	x87 Floating-point Comparison Instructions	3-86
3.8.4.4	Transcendental Functions	3-86

CHAPTER 4

CODING FOR SIMD ARCHITECTURES

4.1	CHECKING FOR PROCESSOR SUPPORT OF SIMD TECHNOLOGIES	4-1
4.1.1	Checking for MMX Technology Support	4-2
4.1.2	Checking for Streaming SIMD Extensions Support	4-2
4.1.3	Checking for Streaming SIMD Extensions 2 Support	4-3
4.1.4	Checking for Streaming SIMD Extensions 3 Support	4-4
4.1.5	Checking for Supplemental Streaming SIMD Extensions 3 Support	4-6
4.2	CONSIDERATIONS FOR CODE CONVERSION TO SIMD PROGRAMMING	4-7
4.2.1	Identifying Hot Spots	4-9
4.2.2	Determine If Code Benefits by Conversion to SIMD Execution	4-9
4.3	CODING TECHNIQUES	4-10
4.3.1	Coding Methodologies	4-11
4.3.1.1	Assembly	4-12
4.3.1.2	Intrinsics	4-13
4.3.1.3	Classes	4-14
4.3.1.4	Automatic Vectorization	4-15
4.4	STACK AND DATA ALIGNMENT	4-16
4.4.1	Alignment and Contiguity of Data Access Patterns	4-16
4.4.1.1	Using Padding to Align Data	4-17
4.4.1.2	Using Arrays to Make Data Contiguous	4-17
4.4.2	Stack Alignment For 128-bit SIMD Technologies	4-18
4.4.3	Data Alignment for MMX Technology	4-19
4.4.4	Data Alignment for 128-bit data	4-19
4.4.4.1	Compiler-Supported Alignment	4-19
4.5	IMPROVING MEMORY UTILIZATION	4-21

	PAGE	
4.5.1	Data Structure Layout	4-21
4.5.2	Strip-Mining	4-25
4.5.3	Loop Blocking	4-26
4.6	INSTRUCTION SELECTION	4-28
4.6.1	SIMD Optimizations and Microarchitectures	4-29
4.7	TUNING THE FINAL APPLICATION	4-30

CHAPTER 5 OPTIMIZING FOR SIMD INTEGER APPLICATIONS

5.1	GENERAL RULES ON SIMD INTEGER CODE	5-1
5.2	USING SIMD INTEGER WITH X87 FLOATING-POINT	5-2
5.2.1	Using the EMMS Instruction	5-2
5.2.2	Guidelines for Using EMMS Instruction	5-3
5.3	DATA ALIGNMENT	5-4
5.4	DATA MOVEMENT CODING TECHNIQUES	5-6
5.4.1	Unsigned Unpack	5-6
5.4.2	Signed Unpack	5-7
5.4.3	Interleaved Pack with Saturation	5-8
5.4.4	Interleaved Pack without Saturation	5-10
5.4.5	Non-Interleaved Unpack	5-10
5.4.6	Extract Word	5-12
5.4.7	Insert Word	5-13
5.4.8	Move Byte Mask to Integer	5-14
5.4.9	Packed Shuffle Word for 64-bit Registers	5-15
5.4.10	Packed Shuffle Word for 128-bit Registers	5-17
5.4.11	Shuffle Bytes	5-18
5.4.12	Unpacking/interleaving 64-bit Data in 128-bit Registers	5-18
5.4.13	Data Movement	5-18
5.4.14	Conversion Instructions	5-18
5.5	GENERATING CONSTANTS	5-19
5.6	BUILDING BLOCKS	5-19
5.6.1	Absolute Difference of Unsigned Numbers	5-20
5.6.2	Absolute Difference of Signed Numbers	5-20
5.6.3	Absolute Value	5-21
5.6.4	Pixel Format Conversion	5-21
5.6.5	Endian Conversion	5-24
5.6.6	Clipping to an Arbitrary Range [High, Low]	5-25
5.6.6.1	Highly Efficient Clipping	5-25
5.6.6.2	Clipping to an Arbitrary Unsigned Range [High, Low]	5-27
5.6.7	Packed Max/Min of Signed Word and Unsigned Byte	5-28
5.6.7.1	Signed Word	5-28
5.6.7.2	Unsigned Byte	5-28
5.6.8	Packed Multiply High Unsigned	5-28
5.6.9	Packed Sum of Absolute Differences	5-28
5.6.10	Packed Average (Byte/Word)	5-30
5.6.11	Complex Multiply by a Constant	5-30
5.6.12	Packed 32*32 Multiply	5-31
5.6.13	Packed 64-bit Add/Subtract	5-31
5.6.14	128-bit Shifts	5-31
5.7	MEMORY OPTIMIZATIONS	5-31
5.7.1	Partial Memory Accesses	5-32

	PAGE	
5.7.1.1	Supplemental Techniques for Avoiding Cache Line Splits	5-34
5.7.2	Increasing Bandwidth of Memory Fills and Video Fills	5-35
5.7.2.1	Increasing Memory Bandwidth Using the MOVDQ Instruction	5-35
5.7.2.2	Increasing Memory Bandwidth by Loading and Storing to and from the Same DRAM Page	5-36
5.7.2.3	Increasing UC and WC Store Bandwidth by Using Aligned Stores	5-36
5.8	CONVERTING FROM 64-BIT TO 128-BIT SIMD INTEGERS	5-36
5.8.1	SIMD Optimizations and Microarchitectures	5-37
5.8.1.1	Packed SSE2 Integer versus MMX Instructions	5-37

CHAPTER 6

OPTIMIZING FOR SIMD FLOATING-POINT APPLICATIONS

6.1	GENERAL RULES FOR SIMD FLOATING-POINT CODE	6-1
6.2	PLANNING CONSIDERATIONS	6-1
6.3	USING SIMD FLOATING-POINT WITH X87 FLOATING-POINT	6-2
6.4	SCALAR FLOATING-POINT CODE	6-2
6.5	DATA ALIGNMENT	6-3
6.5.1	Data Arrangement	6-3
6.5.1.1	Vertical versus Horizontal Computation	6-3
6.5.1.2	Data Swizzling	6-7
6.5.1.3	Data Deswizzling	6-10
6.5.1.4	Using MMX Technology Code for Copy or Shuffling Functions	6-12
6.5.1.5	Horizontal ADD Using SSE	6-13
6.5.2	Use of CVTTPS2PI/CVTTSS2SI Instructions	6-16
6.5.3	Flush-to-Zero and Denormals-are-Zero Modes	6-16
6.6	SIMD OPTIMIZATIONS AND MICROARCHITECTURES	6-16
6.6.1	SIMD Floating-point Programming Using SSE3	6-17
6.6.1.1	SSE3 and Complex Arithmetics	6-18
6.6.1.2	SSE3 and Horizontal Computation	6-21
6.6.1.3	Packed Floating-Point Performance in Intel Core Duo Processor	6-22

CHAPTER 7

OPTIMIZING CACHE USAGE

7.1	GENERAL PREFETCH CODING GUIDELINES	7-1
7.2	HARDWARE PREFETCHING OF DATA	7-3
7.3	PREFETCH AND CACHEABILITY INSTRUCTIONS	7-4
7.4	PREFETCH	7-4
7.4.1	Software Data Prefetch	7-4
7.4.2	Prefetch Instructions – Pentium® 4 Processor Implementation	7-5
7.4.3	Prefetch and Load Instructions	7-6
7.5	CACHEABILITY CONTROL	7-7
7.5.1	The Non-temporal Store Instructions	7-7
7.5.1.1	Fencing	7-7
7.5.1.2	Streaming Non-temporal Stores	7-7
7.5.1.3	Memory Type and Non-temporal Stores	7-8
7.5.1.4	Write-Combining	7-8
7.5.2	Streaming Store Usage Models	7-9
7.5.2.1	Coherent Requests	7-9
7.5.2.2	Non-coherent requests	7-9
7.5.3	Streaming Store Instruction Descriptions	7-10

	PAGE
7.5.4	FENCE Instructions 7-10
7.5.4.1	SFENCE Instruction 7-10
7.5.4.2	LFENCE Instruction 7-11
7.5.4.3	MFENCE Instruction 7-11
7.5.5	CLFLUSH Instruction 7-12
7.6	MEMORY OPTIMIZATION USING PREFETCH 7-12
7.6.1	Software-Controlled Prefetch 7-13
7.6.2	Hardware Prefetch 7-13
7.6.3	Example of Effective Latency Reduction with Hardware Prefetch 7-14
7.6.4	Example of Latency Hiding with S/W Prefetch Instruction 7-15
7.6.5	Software Prefetching Usage Checklist 7-17
7.6.6	Software Prefetch Scheduling Distance 7-17
7.6.7	Software Prefetch Concatenation 7-18
7.6.8	Minimize Number of Software Prefetches 7-20
7.6.9	Mix Software Prefetch with Computation Instructions 7-21
7.6.10	Software Prefetch and Cache Blocking Techniques 7-22
7.6.11	Hardware Prefetching and Cache Blocking Techniques 7-26
7.6.12	Single-pass versus Multi-pass Execution 7-27
7.7	MEMORY OPTIMIZATION USING NON-TEMPORAL STORES 7-30
7.7.1	Non-temporal Stores and Software Write-Combining 7-30
7.7.2	Cache Management 7-31
7.7.2.1	Video Encoder 7-31
7.7.2.2	Video Decoder 7-31
7.7.2.3	Conclusions from Video Encoder and Decoder Implementation 7-32
7.7.2.4	Optimizing Memory Copy Routines 7-32
7.7.2.5	TLB Priming 7-33
7.7.2.6	Using the 8-byte Streaming Stores and Software Prefetch 7-34
7.7.2.7	Using 16-byte Streaming Stores and Hardware Prefetch 7-34
7.7.2.8	Performance Comparisons of Memory Copy Routines 7-36
7.7.3	Deterministic Cache Parameters 7-37
7.7.3.1	Cache Sharing Using Deterministic Cache Parameters 7-39
7.7.3.2	Cache Sharing in Single-Core or Multicore 7-39
7.7.3.3	Determine Prefetch Stride 7-39

CHAPTER 8

MULTICORE AND HYPER-THREADING TECHNOLOGY

8.1	PERFORMANCE AND USAGE MODELS 8-1
8.1.1	Multithreading 8-2
8.1.2	Multitasking Environment 8-3
8.2	PROGRAMMING MODELS AND MULTITHREADING 8-4
8.2.1	Parallel Programming Models 8-5
8.2.1.1	Domain Decomposition 8-5
8.2.2	Functional Decomposition 8-5
8.2.3	Specialized Programming Models 8-6
8.2.3.1	Producer-Consumer Threading Models 8-7
8.2.4	Tools for Creating Multithreaded Applications 8-10
8.2.4.1	Programming with OpenMP Directives 8-10
8.2.4.2	Automatic Parallelization of Code 8-11
8.2.4.3	Supporting Development Tools 8-11
8.2.4.4	Intel® Thread Checker 8-11
8.2.4.5	Thread Profiler 8-11

	PAGE
8.3	OPTIMIZATION GUIDELINES..... 8-12
8.3.1	Key Practices of Thread Synchronization..... 8-12
8.3.2	Key Practices of System Bus Optimization..... 8-12
8.3.3	Key Practices of Memory Optimization..... 8-13
8.3.4	Key Practices of Front-end Optimization..... 8-13
8.3.5	Key Practices of Execution Resource Optimization..... 8-13
8.3.6	Generality and Performance Impact..... 8-14
8.4	THREAD SYNCHRONIZATION..... 8-14
8.4.1	Choice of Synchronization Primitives..... 8-15
8.4.2	Synchronization for Short Periods..... 8-16
8.4.3	Optimization with Spin-Locks..... 8-18
8.4.4	Synchronization for Longer Periods..... 8-19
8.4.4.1	Avoid Coding Pitfalls in Thread Synchronization..... 8-20
8.4.5	Prevent Sharing of Modified Data and False-Sharing..... 8-21
8.4.6	Placement of Shared Synchronization Variable..... 8-22
8.5	SYSTEM BUS OPTIMIZATION..... 8-23
8.5.1	Conserve Bus Bandwidth..... 8-24
8.5.2	Understand the Bus and Cache Interactions..... 8-24
8.5.3	Avoid Excessive Software Prefetches..... 8-25
8.5.4	Improve Effective Latency of Cache Misses..... 8-25
8.5.5	Use Full Write Transactions to Achieve Higher Data Rate..... 8-26
8.6	MEMORY OPTIMIZATION..... 8-27
8.6.1	Cache Blocking Technique..... 8-27
8.6.2	Shared-Memory Optimization..... 8-28
8.6.2.1	Minimize Sharing of Data between Physical Processors..... 8-28
8.6.2.2	Batched Producer-Consumer Model..... 8-28
8.6.3	Eliminate 64-KByte Aliased Data Accesses..... 8-30
8.6.4	Preventing Excessive Evictions in First-Level Data Cache..... 8-30
8.6.4.1	Per-thread Stack Offset..... 8-31
8.6.4.2	Per-instance Stack Offset..... 8-32
8.7	FRONT-END OPTIMIZATION..... 8-34
8.7.1	Avoid Excessive Loop Unrolling..... 8-34
8.7.2	Optimization for Code Size..... 8-34
8.8	USING THREAD AFFINITIES TO MANAGE SHARED PLATFORM RESOURCES..... 8-35
8.9	OPTIMIZATION OF OTHER SHARED RESOURCES..... 8-41
8.9.1	Using Shared Execution Resources in a Processor Core..... 8-42

CHAPTER 9

64-BIT MODE CODING GUIDELINES

9.1	INTRODUCTION..... 9-1
9.2	CODING RULES AFFECTING 64-BIT MODE..... 9-1
9.2.1	Use Legacy 32-Bit Instructions When Data Size Is 32 Bits..... 9-1
9.2.2	Use Extra Registers to Reduce Register Pressure..... 9-2
9.2.3	Use 64-Bit by 64-Bit Multiplies To Produce 128-Bit Results Only When Necessary..... 9-2
9.2.4	Sign Extension to Full 64-Bits..... 9-2
9.3	ALTERNATE CODING RULES FOR 64-BIT MODE..... 9-3
9.3.1	Use 64-Bit Registers Instead of Two 32-Bit Registers for 64-Bit Arithmetic..... 9-3
9.3.2	CVTSI2SS and CVTSI2SD..... 9-4
9.3.3	Using Software Prefetch..... 9-5

CHAPTER 10 POWER OPTIMIZATION FOR MOBILE USAGES

10.1	OVERVIEW	10-1
10.2	MOBILE USAGE SCENARIOS	10-2
10.3	ACPI C-STATES	10-3
10.3.1	Processor-Specific C4 and Deep C4 States	10-4
10.4	GUIDELINES FOR EXTENDING BATTERY LIFE	10-5
10.4.1	Adjust Performance to Meet Quality of Features	10-5
10.4.2	Reducing Amount of Work	10-7
10.4.3	Platform-Level Optimizations	10-7
10.4.4	Handling Sleep State Transitions	10-7
10.4.5	Using Enhanced Intel SpeedStep® Technology	10-8
10.4.6	Enabling Intel® Enhanced Deeper Sleep	10-10
10.4.7	Multicore Considerations	10-10
10.4.7.1	Enhanced Intel SpeedStep® Technology	10-11
10.4.7.2	Thread Migration Considerations	10-11
10.4.7.3	Multicore Considerations for C-States	10-12

APPENDIX A APPLICATION PERFORMANCE TOOLS

A.1	COMPILERS	A-1
A.1.1	Recommended Optimization Settings for Intel 64 and IA-32 Processors	A-2
A.1.2	Vectorization and Loop Optimization	A-4
A.1.2.1	Multithreading with OpenMP*	A-5
A.1.2.2	Automatic Multithreading	A-5
A.1.3	Inline Expansion of Library Functions (/Oi, /Oi-)	A-5
A.1.4	Floating-point Arithmetic Precision (/Op, /Op-, /Qprec, /Qprec_div, /Qpc, /Qlong_double)	A-5
A.1.5	Rounding Control Option (/Qrcr, /Qrcd)	A-5
A.1.6	Interprocedural and Profile-Guided Optimizations	A-5
A.1.6.1	Interprocedural Optimization (IPO)	A-6
A.1.6.2	Profile-Guided Optimization (PGO)	A-6
A.1.7	Auto-Generation of Vectorized Code	A-6
A.2	INTEL® VTUNE™ PERFORMANCE ANALYZER	A-10
A.2.1	Sampling	A-10
A.2.1.1	Time-based Sampling	A-11
A.2.1.2	Event-based Sampling	A-11
A.2.1.3	Workload Characterization	A-11
A.2.2	Call Graph	A-11
A.2.3	Counter Monitor	A-12
A.3	INTEL® PERFORMANCE LIBRARIES	A-12
A.3.1	Benefits Summary	A-13
A.3.2	Optimizations with the Intel® Performance Libraries	A-13
A.4	INTEL® THREADING ANALYSIS TOOLS	A-14
A.4.1	Intel® Thread Checker 3.0	A-14
A.4.2	Intel Thread Profiler 3.0	A-14
A.4.3	Intel Threading Building Blocks 1.0	A-15
A.5	INTEL® SOFTWARE COLLEGE	A-16

APPENDIX B USING PERFORMANCE MONITORING EVENTS

B.1	PENTIUM® 4 PROCESSOR PERFORMANCE METRICS	B-1
B.1.1	Pentium® 4 Processor-Specific Terminology	B-1
B.1.1.1	Bogus, Non-bogus, Retire	B-1
B.1.1.2	Bus Ratio	B-2
B.1.1.3	Replay	B-2
B.1.1.4	Assist	B-2
B.1.1.5	Tagging	B-2
B.1.2	Counting Clocks	B-3
B.1.2.1	Non-Halted Clock Ticks	B-4
B.1.2.2	Non-Sleep Clock Ticks	B-4
B.1.2.3	Time-Stamp Counter	B-5
B.2	METRICS DESCRIPTIONS AND CATEGORIES	B-5
B.2.1	Trace Cache Events	B-30
B.2.2	Bus and Memory Metrics	B-30
B.2.2.1	Reads due to program loads	B-32
B.2.2.2	Reads due to program writes (RFOS)	B-32
B.2.2.3	Writebacks (dirty evictions)	B-32
B.2.3	Usage Notes for Specific Metrics	B-33
B.2.4	Usage Notes on Bus Activities	B-34
B.3	PERFORMANCE METRICS AND TAGGING MECHANISMS	B-35
B.3.1	Tags for replay_event	B-35
B.3.2	Tags for front_end_event	B-37
B.3.3	Tags for execution_event	B-37
B.4	USING PERFORMANCE METRICS WITH HYPER-THREADING TECHNOLOGY	B-39
B.5	USING PERFORMANCE EVENTS OF INTEL CORE SOLO AND INTEL CORE DUO PROCESSORS	B-42
B.5.1	Understanding the Results in a Performance Counter	B-42
B.5.2	Ratio Interpretation	B-43
B.5.3	Notes on Selected Events	B-44
B.6	DRILL-DOWN TECHNIQUES FOR PERFORMANCE ANALYSIS	B-45
B.6.1	Cycle Composition at Issue Port	B-47
B.6.2	Cycle Composition of OOO Execution	B-48
B.6.3	Drill-Down on Performance Stalls	B-49
B.7	EVENT RATIOS FOR INTEL CORE MICROARCHITECTURE	B-50
B.7.1	Clocks Per Instructions Retired Ratio (CPI)	B-51
B.7.2	Front-end Ratios	B-51
B.7.2.1	Code Locality	B-51
B.7.2.2	Branching and Front-end	B-52
B.7.2.3	Stack Pointer Tracker	B-52
B.7.2.4	Macro-fusion	B-52
B.7.2.5	Length Changing Prefix (LCP) Stalls	B-52
B.7.2.6	Self Modifying Code Detection	B-53
B.7.3	Branch Prediction Ratios	B-53
B.7.3.1	Branch Mispredictions	B-53
B.7.3.2	Virtual Tables and Indirect Calls	B-53
B.7.3.3	Mispredicted Returns	B-54
B.7.4	Execution Ratios	B-54
B.7.4.1	Resource Stalls	B-54
B.7.4.2	ROB Read Port Stalls	B-54

	PAGE	
B.7.4.3	Partial Register Stalls	B-54
B.7.4.4	Partial Flag Stalls	B-55
B.7.4.5	Bypass Between Execution Domains	B-55
B.7.4.6	Floating Point Performance Ratios	B-55
B.7.5	Memory Sub-System - Access Conflicts Ratios	B-56
B.7.5.1	Loads Blocked by the L1 Data Cache	B-56
B.7.5.2	4K Aliasing and Store Forwarding Block Detection	B-56
B.7.5.3	Load Block by Preceding Stores	B-56
B.7.5.4	Memory Disambiguation	B-57
B.7.5.5	Load Operation Address Translation	B-57
B.7.6	Memory Sub-System - Cache Misses Ratios	B-57
B.7.6.1	Locating Cache Misses in the Code	B-57
B.7.6.2	L1 Data Cache Misses	B-58
B.7.6.3	L2 Cache Misses	B-58
B.7.7	Memory Sub-system - Prefetching	B-58
B.7.7.1	L1 Data Prefetching	B-58
B.7.7.2	L2 Hardware Prefetching	B-58
B.7.7.3	Software Prefetching	B-59
B.7.8	Memory Sub-system - TLB Miss Ratios	B-59
B.7.9	Memory Sub-system - Core Interaction	B-60
B.7.9.1	Modified Data Sharing	B-60
B.7.9.2	Fast Synchronization Penalty	B-60
B.7.9.3	Simultaneous Extensive Stores and Load Misses	B-60
B.7.10	Memory Sub-system - Bus Characterization	B-61
B.7.10.1	Bus Utilization	B-61
B.7.10.2	Modified Cache Lines Eviction	B-61

APPENDIX C INSTRUCTION LATENCY AND THROUGHPUT

C.1	OVERVIEW	C-1
C.2	DEFINITIONS	C-2
C.3	LATENCY AND THROUGHPUT	C-3
C.3.1	Latency and Throughput with Register Operands	C-3
C.3.2	Table Footnotes	C-25
C.3.3	Latency and Throughput with Memory Operands	C-26

APPENDIX D STACK ALIGNMENT

D.4	STACK FRAMES	D-1
D.4.1	Aligned ESP-Based Stack Frames	D-3
D.4.2	Aligned EDP-Based Stack Frames	D-4
D.4.3	Stack Frame Optimizations	D-6
D.5	INLINED ASSEMBLY AND EBX	D-7

APPENDIX E SUMMARY OF RULES AND SUGGESTIONS

E.1	ASSEMBLY/COMPILER CODING RULES	E-1
E.2	USER/SOURCE CODING RULES	E-7
E.3	TUNING SUGGESTIONS	E-11

EXAMPLES

- Example 3-1. Assembly Code with an Unpredictable Branch 3-8
- Example 3-2. Code Optimization to Eliminate Branches..... 3-8
- Example 3-3. Eliminating Branch with CMOV Instruction..... 3-9
- Example 3-4. Use of PAUSE Instruction..... 3-9
- Example 3-5. Pentium 4 Processor Static Branch Prediction Algorithm 3-10
- Example 3-6. Static Taken Prediction..... 3-11
- Example 3-7. Static Not-Taken Prediction 3-11
- Example 3-8. Indirect Branch With Two Favored Targets 3-14
- Example 3-9. A Peeling Technique to Reduce Indirect Branch Misprediction 3-15
- Example 3-10. Loop Unrolling 3-16
- Example 3-11. Macro-fusion, Unsigned Iteration Count 3-19
- Example 3-12. Macro-fusion, If Statement 3-20
- Example 3-13. Macro-fusion, Signed Variable 3-21
- Example 3-14. Macro-fusion, Signed Comparison 3-21
- Example 3-15. Avoiding False LCP Delays with 0xF7 Group Instructions 3-23
- Example 3-16. Clearing Register to Break Dependency While Negating Array Elements..... 3-28
- Example 3-17. Spill Scheduling Code..... 3-32
- Example 3-18. Dependencies Caused by Referencing Partial Registers 3-35
- Example 3-19. Avoiding Partial Register Stalls in Integer Code 3-35
- Example 3-20. Avoiding Partial Register Stalls in SIMD Code 3-36
- Example 3-21. Avoiding Partial Flag Register Stalls..... 3-37
- Example 3-22. Reference Code Template for Partially Vectorizable Program 3-41
- Example 3-23. Three Alternate Packing Methods for Avoiding Store Forwarding Difficulty 3-42
- Example 3-24. Using Four Registers to Reduce Memory Spills and Simplify Result Passing..... 3-43
- Example 3-25. Stack Optimization Technique to Simplify Parameter Passing..... 3-43
- Example 3-26. Base Line Code Sequence to Estimate Loop Overhead 3-45
- Example 3-27. Loads Blocked by Stores of Unknown Address..... 3-47
- Example 3-28. Code That Causes Cache Line Split 3-49
- Example 3-29. Situations Showing Small Loads After Large Store..... 3-52
- Example 3-30. Non-forwarding Example of Large Load After Small Store..... 3-53
- Example 3-31. A Non-forwarding Situation in Compiler Generated Code 3-53
- Example 3-32. Two Ways to Avoid Non-forwarding Situation in Example 3-31 3-53
- Example 3-33. Large and Small Load Stalls..... 3-54
- Example 3-34. Loop-carried Dependence Chain..... 3-56
- Example 3-35. Rearranging a Data Structure..... 3-57
- Example 3-36. Decomposing an Array 3-57
- Example 3-37. Dynamic Stack Alignment..... 3-59
- Example 3-38. Aliasing Between Loads and Stores Across Loop Iterations..... 3-63
- Example 3-39. Using Non-temporal Stores and 64-byte Bus Write Transactions 3-68
- Example 3-40. On-temporal Stores and Partial Bus Write Transactions 3-68
- Example 3-41. Using DCU Hardware Prefetch..... 3-71
- Example 3-42. Avoid Causing DCU Hardware Prefetch to Fetch Un-needed Lines 3-72
- Example 3-43. Technique For Using L1 Hardware Prefetch 3-73
- Example 3-44. REP STOSD with Arbitrary Count Size and 4-Byte-Aligned Destination..... 3-76
- Example 3-45. Algorithm to Avoid Changing Rounding Mode..... 3-82

	PAGE
Example 4-1. Identification of MMX Technology with CPUID.....	4-2
Example 4-2. Identification of SSE with CPUID.....	4-3
Example 4-3. Identification of SSE by the OS.....	4-3
Example 4-4. Identification of SSE2 with cpuid.....	4-4
Example 4-5. Identification of SSE2 by the OS.....	4-4
Example 4-6. Identification of SSE3 with CPUID.....	4-5
Example 4-7. Identification of SSE3 by the OS.....	4-5
Example 4-8. Identification of SSSE3 with cpuid.....	4-6
Example 4-9. Identification of SSSE3 by the OS.....	4-6
Example 4-10. Simple Four-Iteration Loop.....	4-12
Example 4-11. Streaming SIMD Extensions Using Inlined Assembly Encoding.....	4-13
Example 4-12. Simple Four-Iteration Loop Coded with Intrinsics.....	4-14
Example 4-13. C++ Code Using the Vector Classes.....	4-15
Example 4-14. Automatic Vectorization for a Simple Loop.....	4-16
Example 4-15. C Algorithm for 64-bit Data Alignment.....	4-19
Example 4-16. AoS Data Structure.....	4-22
Example 4-17. SoA Data Structure.....	4-22
Example 4-18. AoS and SoA Code Samples.....	4-22
Example 4-19. Hybrid SoA Data Structure.....	4-24
Example 4-20. Pseudo-code Before Strip Mining.....	4-25
Example 4-21. Strip Mined Code.....	4-26
Example 4-22. Loop Blocking.....	4-27
Example 4-23. Emulation of Conditional Moves.....	4-29
Example 5-1. Resetting Register Between <code>__m64</code> and FP Data Types Code.....	5-4
Example 5-2. FIR Processing Example in C language Code.....	5-5
Example 5-3. SSE2 and SSSE3 Implementation of FIR Processing Code.....	5-5
Example 5-4. Zero Extend 16-bit Values into 32 Bits Using Unsigned Unpack Instructions Code.....	5-7
Example 5-5. Signed Unpack Code.....	5-7
Example 5-6. Interleaved Pack with Saturation Code.....	5-9
Example 5-7. Interleaved Pack without Saturation Code.....	5-10
Example 5-8. Unpacking Two Packed-word Sources in Non-interleaved Way Code.....	5-12
Example 5-9. PEXTRW Instruction Code.....	5-13
Example 5-10. PINSRW Instruction Code.....	5-14
Example 5-11. Repeated PINSRW Instruction Code.....	5-14
Example 5-12. PMOVMASKB Instruction Code.....	5-15
Example 5-13. PSHUF Instruction Code.....	5-16
Example 5-14. Broadcast Code, Using 2 Instructions.....	5-17
Example 5-15. Swap Code, Using 3 Instructions.....	5-17
Example 5-16. Reverse Code, Using 3 Instructions.....	5-18
Example 5-17. Generating Constants.....	5-19
Example 5-18. Absolute Difference of Two Unsigned Numbers.....	5-20
Example 5-19. Absolute Difference of Signed Numbers.....	5-20
Example 5-20. Computing Absolute Value.....	5-21
Example 5-21. Basic C Implementation of RGBA to BGRA Conversion.....	5-21
Example 5-22. Color Pixel Format Conversion Using SSE2.....	5-22
Example 5-23. Color Pixel Format Conversion Using SSSE3.....	5-23

	PAGE
Example 5-24. Big-Endian to Little-Endian Conversion Using BSWAP	5-24
Example 5-25. Big-Endian to Little-Endian Conversion Using PSHUFB	5-25
Example 5-26. Clipping to a Signed Range of Words [High, Low]	5-26
Example 5-27. Clipping to an Arbitrary Signed Range [High, Low]	5-26
Example 5-28. Simplified Clipping to an Arbitrary Signed Range	5-27
Example 5-29. Clipping to an Arbitrary Unsigned Range [High, Low]	5-27
Example 5-30. Complex Multiply by a Constant	5-30
Example 5-31. A Large Load after a Series of Small Stores (Penalty)	5-32
Example 5-32. Accessing Data Without Delay	5-33
Example 5-33. A Series of Small Loads After a Large Store	5-33
Example 5-34. Eliminating Delay for a Series of Small Loads after a Large Store	5-33
Example 5-35. An Example of Video Processing with Cache Line Splits	5-34
Example 5-36. Video Processing Using LDDQU to Avoid Cache Line Splits	5-35
Example 6-1. Pseudocode for Horizontal (xyz, AoS) Computation	6-6
Example 6-2. Pseudocode for Vertical (xxxx, yyyy, zzzz, SoA) Computation	6-7
Example 6-3. Swizzling Data	6-8
Example 6-4. Swizzling Data Using Intrinsics	6-9
Example 6-5. Deswizzling Single-Precision SIMD Data	6-10
Example 6-6. Deswizzling Data Using the movhlps and shuffle Instructions	6-11
Example 6-7. Deswizzling Data 64-bit Integer SIMD Data	6-12
Example 6-8. Using MMX Technology Code for Copying or Shuffling	6-13
Example 6-9. Horizontal Add Using MOVHLPS/MOVLHPS	6-14
Example 6-10. Horizontal Add Using Intrinsics with MOVHLPS/MOVLHPS	6-15
Example 6-11. Multiplication of Two Pair of Single-precision Complex Number	6-18
Example 6-12. Division of Two Pair of Single-precision Complex Numbers	6-19
Example 6-13. Double-Precision Complex Multiplication of Two Pairs	6-20
Example 6-14. Double-Precision Complex Multiplication Using Scalar SSE2	6-20
Example 6-15. Dot Product of Vector Length 4	6-21
Example 6-16. Unrolled Implementation of Four Dot Products	6-21
Example 7-1. Pseudo-code Using CLFLUSH	7-12
Example 7-2. Populating an Array for Circular Pointer Chasing with Constant Stride	7-14
Example 7-3. Prefetch Scheduling Distance	7-18
Example 7-4. Using Prefetch Concatenation	7-19
Example 7-5. Concatenation and Unrolling the Last Iteration of Inner Loop	7-19
Example 7-6. Data Access of a 3D Geometry Engine without Strip-mining	7-25
Example 7-7. Data Access of a 3D Geometry Engine with Strip-mining	7-25
Example 7-8. Using HW Prefetch to Improve Read-Once Memory Traffic	7-27
Example 7-9. Basic Algorithm of a Simple Memory Copy	7-32
Example 7-10. A Memory Copy Routine Using Software Prefetch	7-33
Example 7-11. Memory Copy Using Hardware Prefetch and Bus Segmentation	7-35
Example 8-1. Serial Execution of Producer and Consumer Work Items	8-6
Example 8-2. Basic Structure of Implementing Producer Consumer Threads	8-8
Example 8-3. Thread Function for an Interlaced Producer Consumer Model	8-9
Example 8-4. Spin-wait Loop and PAUSE Instructions	8-17
Example 8-5. Coding Pitfall using Spin Wait Loop	8-20
Example 8-6. Placement of Synchronization and Regular Variables	8-22
Example 8-7. Declaring Synchronization Variables without Sharing a Cache Line	8-23

- Example 8-8. Batched Implementation of the Producer Consumer Threads8-29
- Example 8-9. Adding an Offset to the Stack Pointer of Three Threads.....8-32
- Example 8-10. Adding a Pseudo-random Offset to the Stack Pointer in the Entry Function.....8-33
- Example 8-11. Assembling 3-level IDs, Affinity Masks for Each Logical Processor8-36
- Example 8-12. Assembling a Look up Table to Manage Affinity Masks and Schedule
Threads to Each Core First8-38
- Example 8-13. Discovering the Affinity Masks for Sibling Logical Processors
Sharing the Same Cache8-39
- Example 10-1. Storing Absolute ValuesA-7
- Example 10-2. Auto-Generated Code of Storing AbsolutesA-7
- Example 10-3. Changes Signs.....A-7
- Example 10-4. Auto-Generated Code of Sign ConversionA-8
- Example 10-5. Data Conversion.....A-8
- Example 10-6. Auto-Generated Code of Data Conversion.....A-9
- Example 10-7. Un-aligned Data OperationA-9
- Example 10-8. Auto-Generated Code to Avoid Unaligned Loads..... A-10
- Example D-1. Aligned esp-Based Stack FrameD-3
- Example D-2. Aligned ebp-based Stack FramesD-5

FIGURES

Figure 2-1. Intel Core Microarchitecture Pipeline Functionality 2-4

Figure 2-2. Execution Core of Intel Core Microarchitecture 2-12

Figure 2-3. Intel Advanced Smart Cache Architecture 2-17

Figure 2-4. The Intel NetBurst Microarchitecture 2-21

Figure 2-5. Execution Units and Ports in Out-Of-Order Core 2-27

Figure 2-6. The Intel Pentium M Processor Microarchitecture 2-33

Figure 2-7. Hyper-Threading Technology on an SMP 2-38

Figure 2-8. Pentium D Processor, Pentium Processor Extreme Edition, Intel Core Duo Processor, and Intel Core 2 Duo Processor 2-42

Figure 2-9. Typical SIMD Operations. 2-46

Figure 2-10. SIMD Instruction Register Usage 2-47

Figure 3-1. Generic Program Flow of Partially Vectorized Code 3-40

Figure 3-2. Cache Line Split in Accessing Elements in a Array 3-49

Figure 3-3. Size and Alignment Restrictions in Store Forwarding. 3-51

Figure 4-1. Converting to Streaming SIMD Extensions Chart 4-8

Figure 4-2. Hand-Coded Assembly and High-Level Compiler Performance Trade-offs. 4-11

Figure 4-3. Loop Blocking Access Pattern. 4-28

Figure 5-1. PACKSSDw mm, mm/mm64 Instruction 5-8

Figure 5-2. Interleaved Pack with Saturation 5-9

Figure 5-3. Result of Non-Interleaved Unpack Low in MM0 5-11

Figure 5-4. Result of Non-Interleaved Unpack High in MM1 5-11

Figure 5-5. PEXTRW Instruction. 5-12

Figure 5-6. PINSRW Instruction 5-13

Figure 5-7. PMOVSMB Instruction. 5-15

Figure 5-8. pshuf PSHUF Instruction 5-16

Figure 5-9. PSADBW Instruction Example. 5-29

Figure 6-1. Homogeneous Operation on Parallel Data Elements. 6-4

Figure 6-2. Horizontal Computation Model. 6-4

Figure 6-3. Dot Product Operation 6-6

Figure 6-4. Horizontal Add Using MOVHLPS/MOVLHPS 6-14

Figure 6-5. Asymmetric Arithmetic Operation of the SSE3 Instruction. 6-17

Figure 6-6. Horizontal Arithmetic Operation of the SSE3 Instruction HADDPD 6-18

Figure 7-1. Effective Latency Reduction as a Function of Access Stride 7-15

Figure 7-2. Memory Access Latency and Execution Without Prefetch 7-16

Figure 7-3. Memory Access Latency and Execution With Prefetch 7-16

Figure 7-4. Prefetch and Loop Unrolling 7-20

Figure 7-5. Memory Access Latency and Execution With Prefetch 7-21

Figure 7-6. Spread Prefetch Instructions 7-22

Figure 7-7. Cache Blocking - Temporally Adjacent and Non-adjacent Passes 7-23

Figure 7-8. Examples of Prefetch and Strip-mining for Temporally Adjacent and Non-Adjacent Passes Loops 7-24

Figure 7-9. Single-Pass Vs. Multi-Pass 3D Geometry Engines 7-29

Figure 8-1. Amdahl's Law and MP Speed-up 8-2

Figure 8-2. Single-threaded Execution of Producer-consumer Threading Model. 8-7

Figure 8-3. Execution of Producer-consumer Threading Model on a Multicore Processor 8-7

Figure 8-4. Interlaced Variation of the Producer Consumer Model 8-9

Figure 8-5. Batched Approach of Producer Consumer Model 8-29

Figure 10-1. Performance History and State Transitions 10-2

Figure 10-2. Active Time Versus Halted Time of a Processor 10-3

Figure 10-3. Application of C-states to Idle Time. 10-4

Figure 10-4. Profiles of Coarse Task Scheduling and Power Consumption 10-9

Figure 10-5. Thread Migration in a Multicore Processor 10-12

Figure 10-6. Progression to Deeper Sleep 10-13

Figure A-1. Intel Thread Profiler Showing Critical Paths of Threaded Execution Timelines. A-15

Figure B-1. Relationships Between Cache Hierarchy, IOQ, BSQ and FSB B-31

Figure B-2. Performance Events Drill-Down and Software Tuning Feedback Loop B-46

Figure D-1. Stack Frames Based on Alignment Type D-2

TABLES

Table 2-1. Components of the Front End 2-5

Table 2-2. Issue Ports of Intel Core Microarchitecture 2-11

Table 2-3. Cache Parameters of Processors based on Intel Core Microarchitecture 2-18

Table 2-4. Characteristics of Load and Store Operations
in Intel Core Microarchitecture 2-18

Table 2-5. Pentium 4 and Intel Xeon Processor Cache Parameters 2-28

Table 2-6. Trigger Threshold and CPUID Signatures for Processor Families 2-35

Table 2-7. Cache Parameters of Pentium M, Intel Core Solo, and Intel Core Duo Processors 2-35

Table 2-8. Family And Model Designations of Microarchitectures 2-43

Table 2-9. Characteristics of Load and Store Operations in Intel Core Duo Processors 2-44

Table 3-1. Store Forwarding Restrictions of Processors Based on Intel Core
Microarchitecture 3-54

Table 5-1. PAHUF Encoding 5-16

Table 6-1. SoA Form of Representing Vertices Data 6-5

Table 7-1. Software Prefetching Considerations into Strip-mining Code 7-26

Table 7-2. Relative Performance of Memory Copy Routines 7-36

Table 7-3. Deterministic Cache Parameters Leaf 7-38

Table 8-1. Properties of Synchronization Objects 8-15

Table A-1. Recommended IA-32 Processor Optimization Options A-2

Table A-2. Recommended Processor Optimization Options for 64-bit Code A-3

Table A-3. Vectorization Control Switch Options A-4

Table B-1. Performance Metrics - General B-6

Table B-2. Performance Metrics - Branching B-8

Table B-3. Performance Metrics - Trace Cache and Front End B-9

Table B-4. Performance Metrics - Memory B-12

Table B-5. Performance Metrics - Bus B-17

Table B-6. Performance Metrics - Characterization B-27

Table B-7. Performance Metrics - Machine Clear B-29

Table B-8. Metrics That Utilize Replay Tagging Mechanism B-36

Table B-9. Metrics That Utilize the Front-end Tagging Mechanism B-37

Table B-10. Metrics That Utilize the Execution Tagging Mechanism B-37

Table B-11. New Metrics for Pentium 4 Processor (Family 15, Model 3) B-38

Table B-12. Metrics Supporting Qualification by Logical Processor and Parallel Counting B-40

Table B-13. Metrics Independent of Logical Processors B-42

Table C-1. Supplemental Streaming SIMD Extension 3 SIMD Instructions C-4

Table C-2. Streaming SIMD Extension 3 SIMD Floating-point Instructions C-4

Table C-3. Streaming SIMD Extension 2 128-bit Integer Instructions C-5

Table C-4. Streaming SIMD Extension 2 Double-precision Floating-point Instructions C-10

Table C-5. Streaming SIMD Extension Single-precision Floating-point Instructions C-13

Table C-6. Streaming SIMD Extension 64-bit Integer Instructions C-17

Table C-7. MMX Technology 64-bit Instructions C-18

Table C-8. MMX Technology 64-bit Instructions C-19

Table C-9. x87 Floating-point Instructions C-20

Table C-10. General Purpose Instructions C-22

The *Intel® 64 and IA-32 Architectures Optimization Reference Manual* describes how to optimize software to take advantage of the performance characteristics of IA-32 and Intel 64 architecture processors. Optimizations described in this manual apply to processors based on the Intel® Core™ microarchitecture, Intel NetBurst® microarchitecture, the Intel® Core Duo, Intel Core Solo, Pentium® M processor families.

The target audience for this manual includes software programmers and compiler writers. This manual assumes that the reader is familiar with the basics of the IA-32 architecture and has access to the *Intel® 64 and IA-32 Architectures Software Developer's Manual* (five volumes). A detailed understanding of Intel 64 and IA-32 processors is often required. In many cases, knowledge of the underlying microarchitectures is required.

The design guidelines that are discussed in this manual for developing high-performance software generally apply to current as well as to future IA-32 and Intel 64 processors. The coding rules and code optimization techniques listed target the Intel Core microarchitecture, the Intel NetBurst microarchitecture and the Pentium M processor microarchitecture. In most cases, coding rules apply to software running in 64-bit mode of Intel 64 architecture, compatibility mode of Intel 64 architecture, and IA-32 modes (IA-32 modes are supported in IA-32 and Intel 64 architectures). Coding rules specific to 64-bit modes are noted separately.

1.1 TUNING YOUR APPLICATION

Tuning an application for high performance on any Intel 64 or IA-32 processor requires understanding and basic skills in:

- Intel 64 and IA-32 architecture
- C and Assembly language
- hot-spot regions in the application that have impact on performance
- optimization capabilities of the compiler
- techniques used to evaluate application performance

The Intel® VTune™ Performance Analyzer can help you analyze and locate hot-spot regions in your applications. On the Intel® Core™2 Duo, Intel Core Duo, Intel Core Solo, Pentium 4, Intel® Xeon® and Pentium M processors, this tool can monitor an application through a selection of performance monitoring events and analyze the performance event data that is gathered during code execution.

This manual also describes information that can be gathered using the performance counters through Pentium 4 processor's performance monitoring events.

1.2 ABOUT THIS MANUAL

In this document, references to the Pentium 4 processor refer to processors based on the Intel NetBurst microarchitecture. This includes the Intel Pentium 4 processor and many Intel Xeon processors. Where appropriate, differences are noted (for example, some Intel Xeon processors have third level cache).

The Intel Xeon processor 5100 series and Intel Core 2 Duo processors are based on the Intel Core microarchitecture. In most cases, references to the Intel Core 2 Duo processor also apply to Intel Xeon processor 5100 series. The Dual-core Intel Xeon processor LV is based on the same architecture as Intel Core Duo processor.

The following bullets summarize chapters in this manual.

- **Chapter 1: Introduction** — Defines the purpose and outlines the contents of this manual.
- **Chapter 2: Intel® 64 and IA-32 Processor Architectures** — Describes the microarchitecture of recent IA-32 and Intel 64 processor families, and other features relevant to software optimization.
- **Chapter 3: General Optimization Guidelines** — Describes general code development and optimization techniques that apply to all applications designed to take advantage of the common features of the Intel NetBurst microarchitecture and Pentium M processor microarchitecture.
- **Chapter 4: Coding for SIMD Architectures** — Describes techniques and concepts for using the SIMD integer and SIMD floating-point instructions provided by the MMX™ technology, Streaming SIMD Extensions, Streaming SIMD Extensions 2, and Streaming SIMD Extensions 3.
- **Chapter 5: Optimizing for SIMD Integer Applications** — Provides optimization suggestions and common building blocks for applications that use the 64-bit and 128-bit SIMD integer instructions.
- **Chapter 6: Optimizing for SIMD Floating-point Applications** — Provides optimization suggestions and common building blocks for applications that use the single-precision and double-precision SIMD floating-point instructions.
- **Chapter 7: Optimizing Cache Usage** — Describes how to use the PREFETCH instruction, cache control management instructions to optimize cache usage, and the deterministic cache parameters.
- **Chapter 8: Multiprocessor and Hyper-Threading Technology** — Describes guidelines and techniques for optimizing multithreaded applications to achieve optimal performance scaling. Use these when targeting multicore processor, processors supporting Hyper-Threading Technology, or multiprocessor (MP) systems.
- **Chapter 9: 64-Bit Mode Coding Guidelines** — This chapter describes a set of additional coding guidelines for application software written to run in 64-bit mode.

- **Chapter 10: Power Optimization for Mobile Usages** — This chapter provides background on power saving techniques in mobile processors and makes recommendations that developers can leverage to provide longer battery life.
- **Appendix A: Application Performance Tools** — Introduces tools for analyzing and enhancing application performance without having to write assembly code.
- **Appendix B: Intel Pentium 4 Processor Performance Metrics** — Provides information that can be gathered using Pentium 4 processor's performance monitoring events. These performance metrics can help programmers determine how effectively an application is using the features of the Intel NetBurst microarchitecture.
- **Appendix C: IA-32 Instruction Latency and Throughput** — Provides latency and throughput data for the IA-32 instructions. Instruction timing data specific to the Pentium 4 and Pentium M processors are provided.
- **Appendix D: Stack Alignment** — Describes stack alignment conventions and techniques to optimize performance of accessing stack-based data.
- **Appendix E: The Mathematics of Prefetch Scheduling Distance** — Discusses the optimum spacing to insert PREFETCH instructions and presents a mathematical model for determining the prefetch scheduling distance (PSD) for your application.
- **Appendix F: Summary of Rules and Suggestions** — Summarizes the rules and tuning suggestions referenced in the manual.

1.3 RELATED INFORMATION

For more information on the Intel[®] architecture, techniques, and the processor architecture terminology, the following are of particular interest:

- [Intel[®] C++ Compiler documentation and online help](#)
- [Intel[®] Fortran Compiler documentation and online help](#)
- [Intel[®] VTune™ Performance Analyzer documentation and online help](#)
- [Intel[®] 64 and IA-32 Architectures Software Developer's Manual \(in five volumes\)](#)
- [Intel[®] Processor Identification with the CPUID Instruction, AP-485](#)
- [Developing Multi-threaded Applications: A Platform Consistent Approach](#)
- [Using Spin-Loops on Intel Pentium 4 Processor and Intel Xeon Processor MP](#)

More relevant links are:

- Software network link:
<http://softwarecommunity.intel.com/isn/home/>
- Developer centers:
<http://www3.intel.com/cd/ids/developer/asmo-na/eng/dc/index.htm>

INTRODUCTION

- Processor support general link:
<http://www.intel.com/support/processors/>
- Software products and packages:
<http://www3.intel.com/cd/software/products/asm-na/eng/index.htm>
- Intel 64 and IA-32 processor manuals (printed or PDF downloads):
http://developer.intel.com/design/pentium4/manuals/index_new.htm
- Hyper-Threading Technology (HT Technology):
<http://developer.intel.com/technology/hyperthread/>

CHAPTER 2

INTEL® 64 AND IA-32 PROCESSOR ARCHITECTURES

This chapter gives an overview of features relevant to software optimization for current generations of Intel 64 and IA-32 processors (processors based on the Intel Core microarchitecture, Intel NetBurst microarchitecture; including Intel Core Solo, Intel Core Duo, and Intel Pentium M processors). These features are:

- Microarchitectures that enable executing instructions with high throughput at high clock rates, a high speed cache hierarchy and high speed system bus
- Multicore architecture available in Intel Core 2 Duo, Intel Core Duo, Intel Pentium D processors, Pentium processor Extreme Edition¹, and Dual-core Intel Xeon processors
- Hyper-Threading Technology² (HT Technology) support
- Intel 64 architecture on Intel 64 processors
- SIMD instruction extensions: MMX technology, Streaming SIMD Extensions (SSE), Streaming SIMD Extensions 2 (SSE2), Streaming SIMD Extensions 3 (SSE3), and Supplemental Streaming SIMD Extensions 3 (SSSE3)

The Intel Pentium M processor introduced a power-efficient microarchitecture with balanced performance. Dual-core Intel Xeon processor LV, Intel Core Solo and Intel Core Duo processors incorporate enhanced Pentium M processor microarchitecture. The Intel Core 2 processor family, Intel Xeon processor 3000 series and 5100 series are based on the high-performance and power-efficient Intel Core microarchitecture. Intel Pentium 4 processors, Intel Xeon processors, Pentium D processors, and Pentium processor Extreme Editions are based on Intel NetBurst microarchitecture.

1. Dual-core platform requires an Intel Xeon processor 3000 series, Intel Xeon processor 5100 series, Intel Core 2 Duo, Intel Core 2 Extreme, Dual-core Intel Xeon processors, Intel Core Duo, Pentium D processor or Pentium processor Extreme Edition, with appropriate chipset, BIOS, and operating system. Performance varies depending on the hardware and software used.
2. Hyper-Threading Technology requires a computer system with an Intel processor supporting HT Technology and an HT Technology enabled chipset, BIOS and operating system. Performance varies depending on the hardware and software used.

2.1 INTEL® CORE™ MICROARCHITECTURE

Intel Core microarchitecture introduces the following features that enable high performance and power-efficient performance for single-threaded as well as multi-threaded workloads:

- **Intel® Wide Dynamic Execution** enables each processor core to fetch, dispatch, execute with high bandwidths and retire up to four instructions per cycle. Features include:
 - Fourteen-stage efficient pipeline
 - Three arithmetic logical units
 - Four decoders to decode up to five instruction per cycle
 - Macro-fusion and micro-fusion to improve front-end throughput
 - Peak issue rate of dispatching up to six μ ops per cycle
 - Peak retirement bandwidth of up to four μ ops per cycle
 - Advanced branch prediction
 - Stack pointer tracker to improve efficiency of executing function/procedure entries and exits
- **Intel® Advanced Smart Cache** delivers higher bandwidth from the second level cache to the core, optimal performance and flexibility for single-threaded and multi-threaded applications. Features include:
 - Optimized for multicore and single-threaded execution environments
 - 256 bit internal data path to improve bandwidth from L2 to first-level data cache
 - Unified, shared second-level cache of 4 Mbyte, 16 way (or 2 MByte, 8 way)
- **Intel® Smart Memory Access** prefetches data from memory in response to data access patterns and reduces cache-miss exposure of out-of-order execution. Features include:
 - Hardware prefetchers to reduce effective latency of second-level cache misses
 - Hardware prefetchers to reduce effective latency of first-level data cache misses
 - Memory disambiguation to improve efficiency of speculative execution execution engine

- **Intel® Advanced Digital Media Boost** improves most 128-bit SIMD instructions with single-cycle throughput and floating-point operations. Features include:
 - Single-cycle throughput of most 128-bit SIMD instructions
 - Up to eight floating-point operations per cycle
 - Three issue ports available to dispatching SIMD instructions for execution

2.1.1 Intel® Core™ Microarchitecture Pipeline Overview

The pipeline of the Intel Core microarchitecture contains:

- An in-order issue front end that fetches instruction streams from memory, with four instruction decoders to supply decoded instruction (μ ops) to the out-of-order execution core.
- An out-of-order superscalar execution core that can issue up to six μ ops per cycle (see Table 2-2) and reorder μ ops to execute as soon as sources are ready and execution resources are available.
- An in-order retirement unit that ensures the results of execution of μ ops are processed and architectural states are updated according to the original program order.

Intel Core 2 Extreme, Intel Core 2 Duo processors and Intel Xeon processor 5100 series implement two processor cores based on the Intel Core microarchitecture, the functionality of the subsystems in each core are depicted in Figure 2-1.

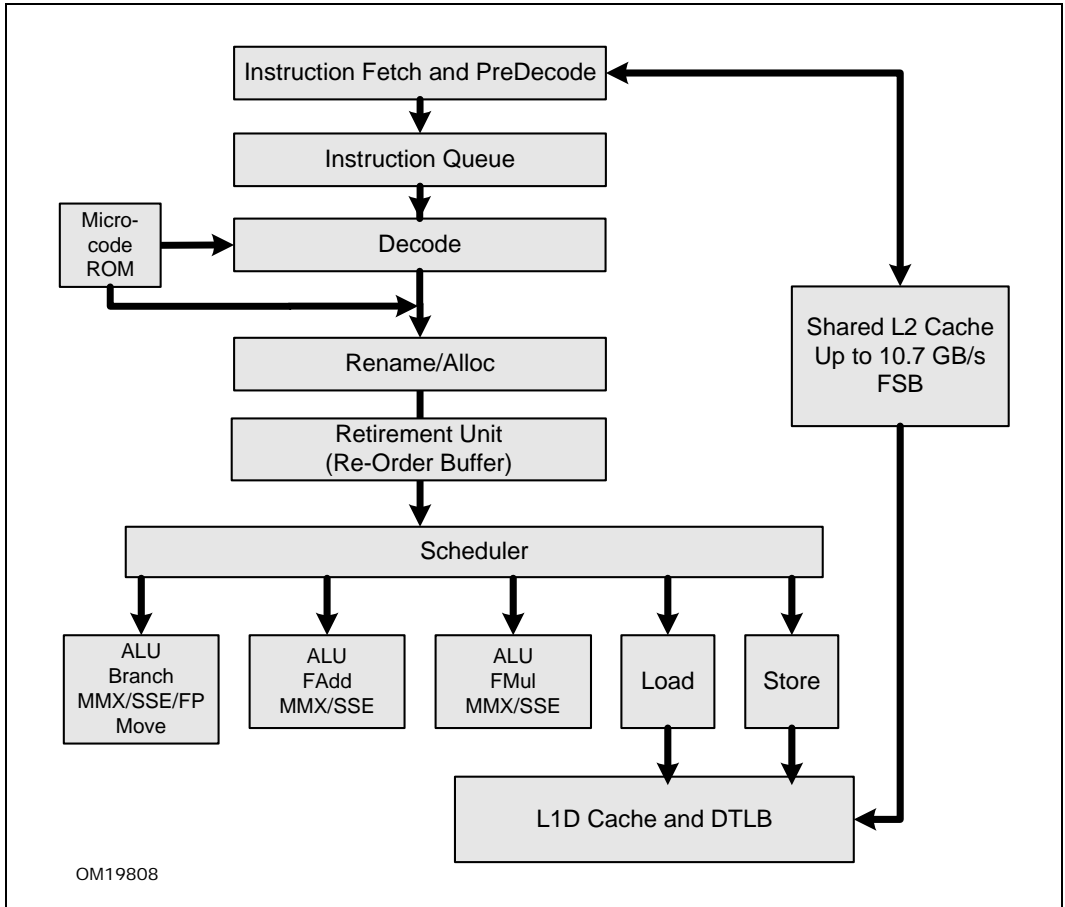


Figure 2-1. Intel Core Microarchitecture Pipeline Functionality

2.1.2 Front End

The front ends needs to supply decoded instructions (μops) and sustain the stream to a six-issue wide out-of-order engine. The components of the front end, their func-

tions, and the performance challenges to microarchitectural design are described in Table 2-1.

Table 2-1. Components of the Front End

Component	Functions	Performance Challenges
Branch Prediction Unit (BPU)	<ul style="list-style-type: none"> Helps the instruction fetch unit fetch the most likely instruction to be executed by predicting the various branch types: conditional, indirect, direct, call, and return. Uses dedicated hardware for each type. 	<ul style="list-style-type: none"> Enables speculative execution. Improves speculative execution efficiency by reducing the amount of code in the “non-architected path”¹ to be fetched into the pipeline.
Instruction Fetch Unit	<ul style="list-style-type: none"> Prefetches instructions that are likely to be executed Caches frequently-used instructions Predecodes and buffers instructions, maintaining a constant bandwidth despite irregularities in the instruction stream 	<ul style="list-style-type: none"> Variable length instruction format causes unevenness (bubbles) in decode bandwidth. Taken branches and misaligned targets causes disruptions in the overall bandwidth delivered by the fetch unit.
Instruction Queue and Decode Unit	<ul style="list-style-type: none"> Decodes up to four instructions, or up to five with macro-fusion Stack pointer tracker algorithm for efficient procedure entry and exit Implements the Macro-Fusion feature, providing higher performance and efficiency The Instruction Queue is also used as a loop cache, enabling some loops to be executed with both higher bandwidth and lower power 	<ul style="list-style-type: none"> Varying amounts of work per instruction requires expansion into variable numbers of μops. Prefix adds a dimension of decoding complexity. Length Changing Prefix (LCP) can cause front end bubbles.

NOTES:

- Code paths that the processor thought it should execute but then found out it should go in another path and therefore reverted from its initial intention.

2.1.2.1 Branch Prediction Unit

Branch prediction enables the processor to begin executing instructions long before the branch outcome is decided. All branches utilize the BPU for prediction. The BPU contains the following features:

- 16-entry Return Stack Buffer (RSB). It enables the BPU to accurately predict RET instructions.
- Front end queuing of BPU lookups. The BPU makes branch predictions for 32 bytes at a time, twice the width of the fetch engine. This enables taken branches to be predicted with no penalty.

Even though this BPU mechanism generally eliminates the penalty for taken branches, software should still regard taken branches as consuming more resources than do not-taken branches.

The BPU makes the following types of predictions:

- Direct Calls and Jumps. Targets are read as a target array, without regarding the taken or not-taken prediction.
- Indirect Calls and Jumps. These may either be predicted as having a monotonic target or as having targets that vary in accordance with recent program behavior.
- Conditional branches. Predicts the branch target and whether or not the branch will be taken.

For information about optimizing software for the BPU, see Section 3.4, “Optimizing the Front End”.

2.1.2.2 Instruction Fetch Unit

The instruction fetch unit comprises the instruction translation lookaside buffer (ITLB), an instruction prefetcher, the instruction cache and the predecode logic of the instruction queue (IQ).

Instruction Cache and ITLB

An instruction fetch is a 16-byte aligned lookup through the ITLB into the instruction cache and instruction prefetch buffers. A hit in the instruction cache causes 16 bytes to be delivered to the instruction predecoder. Typical programs average slightly less than 4 bytes per instruction, depending on the code being executed. Since most instructions can be decoded by all decoders, an entire fetch can often be consumed by the decoders in one cycle.

A misaligned target reduces the number of instruction bytes by the amount of offset into the 16 byte fetch quantity. A taken branch reduces the number of instruction bytes delivered to the decoders since the bytes after the taken branch are not decoded. Branches are taken approximately every 10 instructions in typical integer code, which translates into a “partial” instruction fetch every 3 or 4 cycles.

Due to stalls in the rest of the machine, front end starvation does not usually cause performance degradation. For extremely fast code with larger instructions (such as SSE2 integer media kernels), it may be beneficial to use targeted alignment to prevent instruction starvation.

Instruction PreDecode

The predecode unit accepts the sixteen bytes from the instruction cache or prefetch buffers and carries out the following tasks:

- Determine the length of the instructions.
- Decode all prefixes associated with instructions.
- Mark various properties of instructions for the decoders (for example, “is branch.”).

The predecode unit can write up to six instructions per cycle into the instruction queue. If a fetch contains more than six instructions, the predecoder continues to decode up to six instructions per cycle until all instructions in the fetch are written to the instruction queue. Subsequent fetches can only enter predecoding after the current fetch completes.

For a fetch of seven instructions, the predecoder decodes the first six in one cycle, and then only one in the next cycle. This process would support decoding 3.5 instructions per cycle. Even if the instruction per cycle (IPC) rate is not fully optimized, it is higher than the performance seen in most applications. In general, software usually does not have to take any extra measures to prevent instruction starvation.

The following instruction prefixes cause problems during length decoding. These prefixes can dynamically change the length of instructions and are known as length changing prefixes (LCPs):

- Operand Size Override (66H) preceding an instruction with a word immediate data
- Address Size Override (67H) preceding an instruction with a mod R/M in real, 16-bit protected or 32-bit protected modes

When the predecoder encounters an LCP in the fetch line, it must use a slower length decoding algorithm. With the slower length decoding algorithm, the predecoder decodes the fetch in 6 cycles, instead of the usual 1 cycle.

Normal queuing within the processor pipeline usually cannot hide LCP penalties.

The REX prefix (4xh) in the Intel 64 architecture instruction set can change the size of two classes of instruction: MOV offset and MOV immediate. Nevertheless, it does not cause an LCP penalty and hence is not considered an LCP.

2.1.2.3 Instruction Queue (IQ)

The instruction queue is 18 instructions deep. It sits between the instruction predecode unit and the instruction decoders. It sends up to five instructions per cycle, and

supports one macro-fusion per cycle. It also serves as a loop cache for loops smaller than 18 instructions. The loop cache operates as described below.

A Loop Stream Detector (LSD) resides in the BPU. The LSD attempts to detect loops which are candidates for streaming from the instruction queue (IQ). When such a loop is detected, the instruction bytes are locked down and the loop is allowed to stream from the IQ until a misprediction ends it. When the loop plays back from the IQ, it provides higher bandwidth at reduced power (since much of the rest of the front end pipeline is shut off).

The LSD provides the following benefits:

- No loss of bandwidth due to taken branches
- No loss of bandwidth due to misaligned instructions
- No LCP penalties, as the pre-decode stage has already been passed
- Reduced front end power consumption, because the instruction cache, BPU and predecode unit can be idle

Software should use the loop cache functionality opportunistically. Loop unrolling and other code optimizations may make the loop too big to fit into the LSD. For high performance code, loop unrolling is generally preferable for performance even when it overflows the loop cache capability.

2.1.2.4 Instruction Decode

The Intel Core microarchitecture contains four instruction decoders. The first, Decoder 0, can decode Intel 64 and IA-32 instructions up to 4 μ ops in size. Three other decoders handles single- μ op instructions. The microsequencer can provide up to 3 μ ops per cycle, and helps decode instructions larger than 4 μ ops.

All decoders support the common cases of single μ op flows, including: micro-fusion, stack pointer tracking and macro-fusion. Thus, the three simple decoders are not limited to decoding single- μ op instructions. Packing instructions into a 4-1-1-1 template is not necessary and not recommended.

Macro-fusion merges two instructions into a single μ op. Intel Core microarchitecture is capable of one macro-fusion per cycle in 32-bit operation (including compatibility sub-mode of the Intel 64 architecture), but not in 64-bit mode because code that uses longer instructions (length in bytes) more often is less likely to take advantage of hardware support for macro-fusion.

2.1.2.5 Stack Pointer Tracker

The Intel 64 and IA-32 architectures have several commonly used instructions for parameter passing and procedure entry and exit: PUSH, POP, CALL, LEAVE and RET. These instructions implicitly update the stack pointer register (RSP), maintaining a combined control and parameter stack without software intervention. These instructions are typically implemented by several μ ops in previous microarchitectures.

The Stack Pointer Tracker moves all these implicit RSP updates to logic contained in the decoders themselves. The feature provides the following benefits:

- Improves decode bandwidth, as PUSH, POP and RET are single μop instructions in Intel Core microarchitecture.
- Conserves execution bandwidth as the RSP updates do not compete for execution resources.
- Improves parallelism in the out of order execution engine as the implicit serial dependencies between μops are removed.
- Improves power efficiency as the RSP updates are carried out on small, dedicated hardware.

2.1.2.6 Micro-fusion

Micro-fusion fuses multiple μops from the same instruction into a single complex μop . The complex μop is dispatched in the out-of-order execution core. Micro-fusion provides the following performance advantages:

- Improves instruction bandwidth delivered from decode to retirement.
- Reduces power consumption as the complex μop represents more work in a smaller format (in terms of bit density), reducing overall “bit-toggling” in the machine for a given amount of work and virtually increasing the amount of storage in the out-of-order execution engine.

Many instructions provide register flavors and memory flavors. The flavor involving a memory operand will decode into a longer flow of μops than the register version. Micro-fusion enables software to use memory to register operations to express the actual program behavior without worrying about a loss of decode bandwidth.

2.1.3 Execution Core

The execution core of the Intel Core microarchitecture is superscalar and can process instructions out of order. When a dependency chain causes the machine to wait for a resource (such as a second-level data cache line), the execution core executes other instructions. This increases the overall rate of instructions executed per cycle (IPC).

The execution core contains the following three major components:

- **Renamer** — Moves μops from the front end to the execution core. Architectural registers are renamed to a larger set of microarchitectural registers. Renaming eliminates false dependencies known as read-after-read and write-after-read hazards.
- **Reorder buffer (ROB)** — Holds μops in various stages of completion, buffers completed μops , updates the architectural state in order, and manages ordering of exceptions. The ROB has 96 entries to handle instructions in flight.

- **Reservation station (RS)** — Queues μ ops until all source operands are ready, schedules and dispatches ready μ ops to the available execution units. The RS has 32 entries.

The initial stages of the out of order core move the μ ops from the front end to the ROB and RS. In this process, the out of order core carries out the following steps:

- Allocates resources to μ ops (for example: these resources could be load or store buffers).
- Binds the μ op to an appropriate issue port.
- Renames sources and destinations of μ ops, enabling out of order execution.
- Provides data to the μ op when the data is either an immediate value or a register value that has already been calculated.

The following list describes various types of common operations and how the core executes them efficiently:

- **Micro-ops with single-cycle latency** — Most μ ops with single-cycle latency can be executed by multiple execution units, enabling multiple streams of dependent operations to be executed quickly.
- **Frequently-used μ ops with longer latency** — These μ ops have pipelined execution units so that multiple μ ops of these types may be executing in different parts of the pipeline simultaneously.
- **Operations with data-dependent latencies** — Some operations, such as division, have data dependent latencies. Integer division parses the operands to perform the calculation only on significant portions of the operands, thereby speeding up common cases of dividing by small numbers.
- **Floating point operations with fixed latency for operands that meet certain restrictions** — Operands that do not fit these restrictions are considered exceptional cases and are executed with higher latency and reduced throughput. The lower-throughput cases do not affect latency and throughput for more common cases.
- **Memory operands with variable latency, even in the case of an L1 cache hit** — Loads that are not known to be safe from forwarding may wait until a store-address is resolved before executing. The memory order buffer (MOB) accepts and processes all memory operations. See Section 2.1.5 for more information about the MOB.

2.1.3.1 Issue Ports and Execution Units

The scheduler can dispatch up to six μ ops per cycle through the issue ports depicted in Table 2-2. The table provides latency and throughput data of common integer and floating-point (FP) operations for each issue port in cycles.

Table 2-2. Issue Ports of Intel Core Microarchitecture

Port	Executable operations	Latency	Through put	Writeback Port	Comment
Port 0	Integer ALU	1	1	Writeback 0	Includes 64-bit mode integer MUL. Mixing operations of different latencies that use the same port can result in writeback bus conflicts; this can reduce overall throughput.
	Integer SIMD ALU	1	1		
	Single-precision (SP) FP MUL	4	1		
	Double-precision FP MUL	5	1		
	FP MUL (X87)	5	2		
	FP/SIMD/SSE2 Move and Logic	1	1		
	QW Shuffle	1	1		
Port 1	Integer ALU	1	1	Writeback 1	Excludes 64-bit mode integer MUL. Mixing operations of different latencies that use the same port can result in writeback bus conflicts; this can reduce overall throughput.
	Integer SIMD MUL	1	1		
	FP ADD	3	1		
	FP/SIMD/SSE2 Move and Logic	1	1		
	QW Shuffle	1	1		
Port 2	Integer loads	3	1	Writeback 2	
	FP loads	4	1		
Port 3	Store address	3	1	None (flags)	Prepares the store forwarding and store retirement logic with the address of the data being stored.
Port 4	Store data			None	Prepares the store forwarding and store retirement logic with the data being stored.
Port 5	Integer ALU	1	1	Writeback 5	Excludes QW shuffles.
	Integer SIMD ALU	1	1		
	FP/SIMD/SSE2 Move and Logic	1	1		
	Shuffle	1	1		

In each cycle, the RS can dispatch up to six μ ops. Each cycle, up to 4 results may be written back to the RS and ROB, to be used as early as the next cycle by the RS. This

high execution bandwidth enables execution bursts to keep up with the functional expansion of the micro-fused μ ops that are decoded and retired.

The execution core contains the following three execution stacks:

- SIMD integer
- regular integer
- x87/SIMD floating point

The execution core also contains connections to and from the memory cluster. See Figure 2-2.

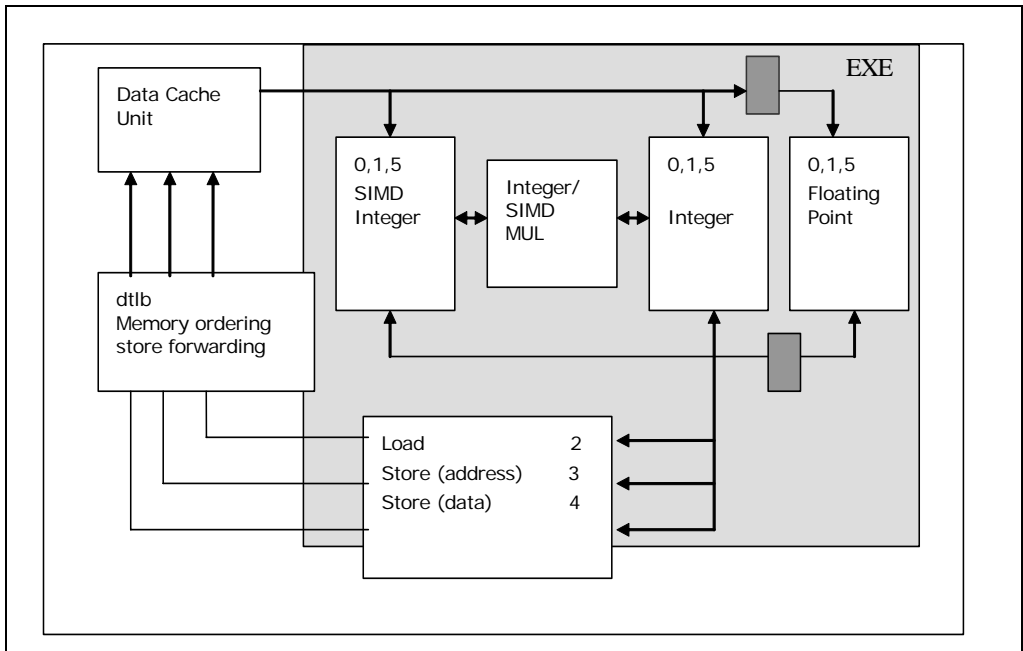


Figure 2-2. Execution Core of Intel Core Microarchitecture

Notice that the two dark squares inside the execution block (in grey color) and appear in the path connecting the integer and SIMD integer stacks to the floating point stack. This delay shows up as an extra cycle called a bypass delay. Data from the L1 cache has one extra cycle of latency to the floating point unit. The dark-colored squares in Figure 2-2 represent the extra cycle of latency.

2.1.4 Intel® Advanced Memory Access

The Intel Core microarchitecture contains an instruction cache and a first-level data cache in each core. The two cores share a 2 or 4-MByte L2 cache. All caches are writeback and non-inclusive. Each core contains:

- **L1 data cache, known as the data cache unit (DCU)** — The DCU can handle multiple outstanding cache misses and continue to service incoming stores and loads. It supports maintaining cache coherency. The DCU has the following specifications:
 - 32-KBytes size
 - 8-way set associative
 - 64-bytes line size
- **Data translation lookaside buffer (DTLB)** — The DTLB in Intel Core microarchitecture implements two levels of hierarchy. Each level of the DTLB have multiple entries and can support either 4-KByte pages or large pages. The entries of the inner level (DTLB0) is used for loads. The entries in the outer level (DTLB1) support store operations and loads that missed DTLB0. All entries are 4-way associative. Here is a list of entries in each DTLB:
 - DTLB1 for large pages: 32 entries
 - DTLB1 for 4-KByte pages: 256 entries
 - DTLB0 for large pages: 16 entries
 - DTLB0 for 4-KByte pages: 16 entries

An DTLB0 miss and DTLB1 hit causes a penalty of 2 cycles. Software only pays this penalty if the DTLB0 is used in some dispatch cases. The delays associated with a miss to the DTLB1 and PMH are largely non-blocking due to the design of Intel Smart Memory Access.

- **Page miss handler (PMH)**
- **A memory ordering buffer (MOB)** — Which:
 - enables loads and stores to issue speculatively and out of order
 - ensures retired loads and stores have the correct data upon retirement
 - ensures loads and stores follow memory ordering rules of the Intel 64 and IA-32 architectures.

The memory cluster of the Intel Core microarchitecture uses the following to speed up memory operations:

- 128-bit load and store operations
- data prefetching to L1 caches
- data prefetch logic for prefetching to the L2 cache
- store forwarding
- memory disambiguation

- 8 fill buffer entries
- 20 store buffer entries
- out of order execution of memory operations
- pipelined read-for-ownership operation (RFO)

For information on optimizing software for the memory cluster, see Section 3.6, “Optimizing Memory Accesses.”

2.1.4.1 Loads and Stores

The Intel Core microarchitecture can execute up to one 128-bit load and up to one 128-bit store per cycle, each to different memory locations. The microarchitecture enables execution of memory operations out of order with respect to other instructions and with respect to other memory operations.

Loads can:

- issue before preceding stores when the load address and store address are known not to conflict
- be carried out speculatively, before preceding branches are resolved
- take cache misses out of order and in an overlapped manner
- issue before preceding stores, speculating that the store is not going to be to a conflicting address

Loads cannot:

- speculatively take any sort of fault or trap
- speculatively access the uncacheable memory type

Faulting or uncacheable loads are detected and wait until retirement, when they update the programmer visible state. x87 and floating point SIMD loads add 1 additional clock latency.

Stores to memory are executed in two phases:

- **Execution phase** — Prepares the store buffers with address and data for store forwarding. Consumes dispatch ports, which are ports 3 and 4.
- **Completion phase** — The store is retired to programmer-visible memory. It may compete for cache banks with executing loads. Store retirement is maintained as a background task by the memory order buffer, moving the data from the store buffers to the L1 cache.

2.1.4.2 Data Prefetch to L1 caches

Intel Core microarchitecture provides two hardware prefetchers to speed up data accessed by a program by prefetching to the L1 data cache:

- **Data cache unit (DCU) prefetcher** — This prefetcher, also known as the streaming prefetcher, is triggered by an ascending access to very recently loaded

data. The processor assumes that this access is part of a streaming algorithm and automatically fetches the next line.

- **Instruction pointer (IP)- based strided prefetcher** — This prefetcher keeps track of individual load instructions. If a load instruction is detected to have a regular stride, then a prefetch is sent to the next address which is the sum of the current address and the stride. This prefetcher can prefetch forward or backward and can detect strides of up to half of a 4KB-page, or 2 KBytes.

Data prefetching works on loads only when the following conditions are met:

- Load is from writeback memory type.
- Prefetch request is within the page boundary of 4 Kbytes.
- No fence or lock is in progress in the pipeline.
- Not many other load misses are in progress.
- The bus is not very busy.
- There is not a continuous stream of stores.

DCU Prefetching has the following effects:

- Improves performance if data in large structures is arranged sequentially in the order used in the program.
- May cause slight performance degradation due to bandwidth issues if access patterns are sparse instead of local.
- On rare occasions, if the algorithm's working set is tuned to occupy most of the cache and unneeded prefetches evict lines required by the program, hardware prefetcher may cause severe performance degradation due to cache capacity of L1.

In contrast to hardware prefetchers relying on hardware to anticipate data traffic, software prefetch instructions relies on the programmer to anticipate cache miss traffic, software prefetch act as hints to bring a cache line of data into the desired levels of the cache hierarchy. The software-controlled prefetch is intended for prefetching data, but not for prefetching code.

2.1.4.3 Data Prefetch Logic

Data prefetch logic (DPL) prefetches data to the second-level (L2) cache based on past request patterns of the DCU from the L2. The DPL maintains two independent arrays to store addresses from the DCU: one for upstreams (12 entries) and one for down streams (4 entries). The DPL tracks accesses to one 4K byte page in each entry. If an accessed page is not in any of these arrays, then an array entry is allocated.

The DPL monitors DCU reads for incremental sequences of requests, known as streams. Once the DPL detects the second access of a stream, it prefetches the next cache line. For example, when the DCU requests the cache lines A and A+1, the DPL assumes the DCU will need cache line A+2 in the near future. If the DCU then reads

A+2, the DPL prefetches cache line A+3. The DPL works similarly for “downward” loops.

The Intel Pentium M processor introduced DPL. The Intel Core microarchitecture added the following features to DPL:

- The DPL can detect more complicated streams, such as when the stream skips cache lines. DPL may issue 2 prefetch requests on every L2 lookup. The DPL in the Intel Core microarchitecture can run up to 8 lines ahead from the load request.
- DPL in the Intel Core microarchitecture adjusts dynamically to bus bandwidth and the number of requests. DPL prefetches far ahead if the bus is not busy, and less far ahead if the bus is busy.
- DPL adjusts to various applications and system configurations.

Entries for the two cores are handled separately.

2.1.4.4 Store Forwarding

If a load follows a store and reloads the data that the store writes to memory, the Intel Core microarchitecture can forward the data directly from the store to the load. This process, called store to load forwarding, saves cycles by enabling the load to obtain the data directly from the store operation instead of through memory.

The following rules must be met for store to load forwarding to occur:

- The store must be the last store to that address prior to the load.
- The store must be equal or greater in size than the size of data being loaded.
- The load cannot cross a cache line boundary.
- The load cannot cross an 8-Byte boundary. 16-Byte loads are an exception to this rule.
- The load must be aligned to the start of the store address, except for the following exceptions:
 - An aligned 64-bit store may forward either of its 32-bit halves
 - An aligned 128-bit store may forward any of its 32-bit quarters
 - An aligned 128-bit store may forward either of its 64-bit halves

Software can use the exceptions to the last rule to move complex structures without losing the ability to forward the subfields.

2.1.4.5 Memory Disambiguation

A load instruction μop may depend on a preceding store. Many microarchitectures block loads until all preceding store address are known.

The memory disambiguator predicts which loads will not depend on any previous stores. When the disambiguator predicts that a load does not have such a dependency, the load takes its data from the L1 data cache.

Eventually, the prediction is verified. If an actual conflict is detected, the load and all succeeding instructions are re-executed.

2.1.5 Intel® Advanced Smart Cache

The Intel Core microarchitecture optimized a number of features for two processor cores on a single die. The two cores share a second-level cache and a bus interface unit, collectively known as Intel Advanced Smart Cache. This section describes the components of Intel Advanced Smart Cache. Figure 2-3 illustrates the architecture of the Intel Advanced Smart Cache.

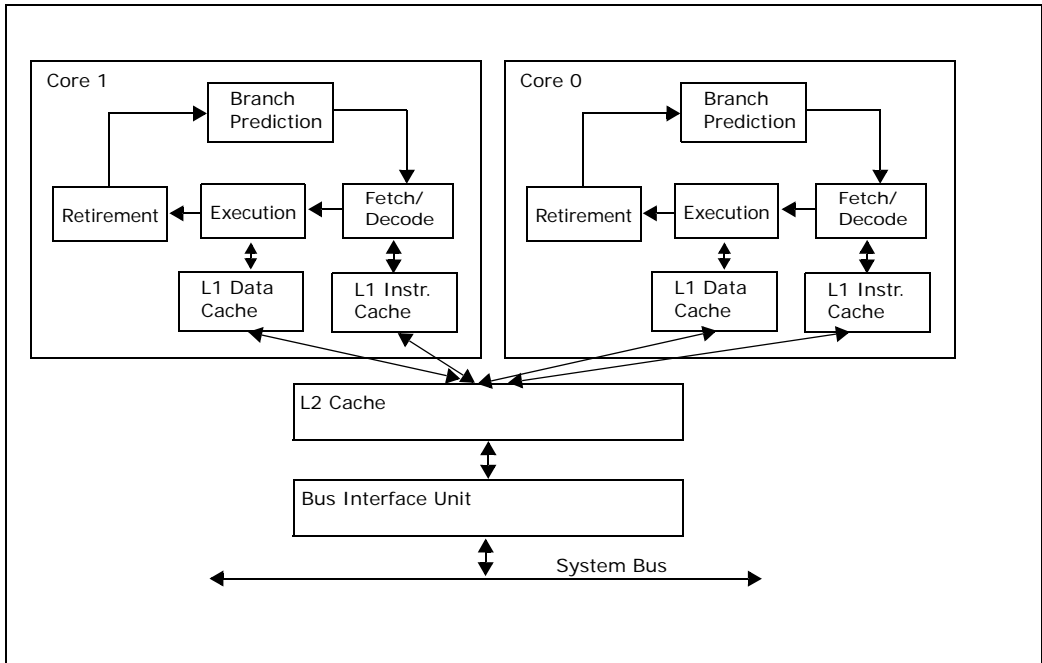


Figure 2-3. Intel Advanced Smart Cache Architecture

Table 2-3 details the parameters of caches in the Intel Core microarchitecture. For information on enumerating the cache hierarchy identification using the deterministic cache parameter leaf of CPUID instruction, see the *Intel® 64 and IA-32 Architectures Software Developer's Manual, Volume 2A*.

Table 2-3. Cache Parameters of Processors based on Intel Core Microarchitecture

Level	Capacity	Associativity (ways)	Line Size (bytes)	Access Latency (clocks)	Access Throughput (clocks)	Write Update Policy
First Level	32 KB	8	64	3	1	Writeback
Instruction	32 KB	8	N/A	N/A	N/A	N/A
Second Level (Shared L2)	2, 4 MB	8 or 16	64	14 ¹	2	Writeback

NOTES:

1. Software-visible latency will vary depending on access patterns and other factors.

2.1.5.1 Loads

When an instruction reads data from a memory location that has write-back (WB) type, the processor looks for the cache line that contains this data in the caches and memory in the following order:

1. DCU of the initiating core
2. DCU of the other core and second-level cache
3. System memory

The cache line is taken from the DCU of the other core only if it is modified, ignoring the cache line availability or state in the L2 cache.

Table 2-4 shows the characteristics of fetching the first four bytes of different localities from the memory cluster. The latency column provides an estimate of access latency. However, the actual latency can vary depending on the load of cache, memory components, and their parameters.

Table 2-4. Characteristics of Load and Store Operations in Intel Core Microarchitecture

Data Locality	Load		Store	
	Latency	Throughput	Latency	Throughput
DCU	3	1	2	1
DCU of the other core in modified state	14 + 5.5 bus cycles	14 + 5.5 bus cycles	14 + 5.5 bus cycles	
2nd-level cache	14	3	14	3
Memory	14 + 5.5 bus cycles + memory	Depends on bus read protocol	14 + 5.5 bus cycles + memory	Depends on bus write protocol

Sometimes a modified cache line has to be evicted to make space for a new cache line. The modified cache line is evicted in parallel to bringing the new data and does not require additional latency. However, when data is written back to memory, the eviction uses cache bandwidth and possibly bus bandwidth as well. Therefore, when multiple cache misses require the eviction of modified lines within a short time, there is an overall degradation in cache response time.

2.1.5.2 Stores

When an instruction writes data to a memory location that has WB memory type, the processor first ensures that the line is in Exclusive or Modified state in its own DCU. The processor looks for the cache line in the following locations, in the specified order:

1. DCU of initiating core
2. DCU of the other core and L2 cache
3. System memory

The cache line is taken from the DCU of the other core only if it is modified, ignoring the cache line availability or state in the L2 cache. After reading for ownership is completed, the data is written to the first-level data cache and the line is marked as modified.

Reading for ownership and storing the data happens after instruction retirement and follows the order of retirement. Therefore, the store latency does not effect the store instruction itself. However, several sequential stores may have cumulative latency that can affect performance. Table 2-4 presents store latencies depending on the initial cache line location.

2.2 INTEL NETBURST® MICROARCHITECTURE

The Pentium 4 processor, Pentium 4 processor Extreme Edition supporting Hyper-Threading Technology, Pentium D processor, and Pentium processor Extreme Edition implement the Intel NetBurst microarchitecture. Intel Xeon processors that implement Intel NetBurst microarchitecture can be identified using CPUID (family encoding OFH).

This section describes the features of the Intel NetBurst microarchitecture and its operation common to the above processors. It provides the technical background required to understand optimization recommendations and the coding rules discussed in the rest of this manual. For implementation details, including instruction latencies, see Appendix C, “Instruction Latency and Throughput.”

Intel NetBurst microarchitecture is designed to achieve high performance for integer and floating-point computations at high clock rates. It supports the following features:

- hyper-pipelined technology that enables high clock rates

- high-performance, quad-pumped bus interface to the Intel NetBurst microarchitecture system bus
- rapid execution engine to reduce the latency of basic integer instructions
- out-of-order speculative execution to enable parallelism
- superscalar issue to enable parallelism
- hardware register renaming to avoid register name space limitations
- cache line sizes of 64 bytes
- hardware prefetch

2.2.1 Design Goals

The design goals of Intel NetBurst microarchitecture are:

- To execute legacy IA-32 applications and applications based on single-instruction, multiple-data (SIMD) technology at high throughput
- To operate at high clock rates and to scale to higher performance and clock rates in the future

Design advances of the Intel NetBurst microarchitecture include:

- A deeply pipelined design that allows for high clock rates (with different parts of the chip running at different clock rates).
- A pipeline that optimizes for the common case of frequently executed instructions; the most frequently-executed instructions in common circumstances (such as a cache hit) are decoded efficiently and executed with short latencies.
- Employment of techniques to hide stall penalties; Among these are parallel execution, buffering, and speculation. The microarchitecture executes instructions dynamically and out-of-order, so the time it takes to execute each individual instruction is not always deterministic.

Chapter 3, “General Optimization Guidelines,” lists optimizations to use and situations to avoid. The chapter also gives a sense of relative priority. Because most optimizations are implementation dependent, the chapter does not quantify expected benefits and penalties.

The following sections provide more information about key features of the Intel NetBurst microarchitecture.

2.2.2 Pipeline

The pipeline of the Intel NetBurst microarchitecture contains:

- an in-order issue front end
- an out-of-order superscalar execution core
- an in-order retirement unit

The front end supplies instructions in program order to the out-of-order core. It fetches and decodes instructions. The decoded instructions are translated into μ ops. The front end's primary job is to feed a continuous stream of μ ops to the execution core in original program order.

The out-of-order core aggressively reorders μ ops so that μ ops whose inputs are ready (and have execution resources available) can execute as soon as possible. The core can issue multiple μ ops per cycle.

The retirement section ensures that the results of execution are processed according to original program order and that the proper architectural states are updated.

Figure 2-4 illustrates a diagram of the major functional blocks associated with the Intel NetBurst microarchitecture pipeline. The following subsections provide an overview for each.

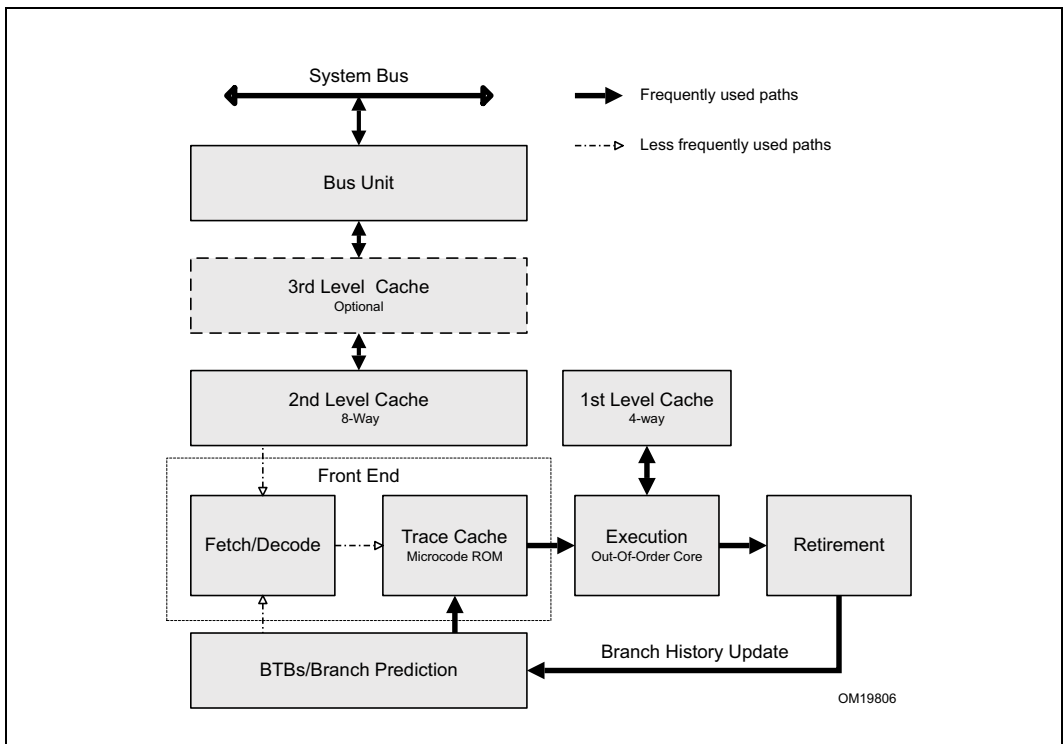


Figure 2-4. The Intel NetBurst Microarchitecture

2.2.2.1 Front End

The front end of the Intel NetBurst microarchitecture consists of two parts:

- fetch/decode unit
- execution trace cache

It performs the following functions:

- prefetches instructions that are likely to be executed
- fetches required instructions that have not been prefetched
- decodes instructions into μ ops
- generates microcode for complex instructions and special-purpose code
- delivers decoded instructions from the execution trace cache
- predicts branches using advanced algorithms

The front end is designed to address two problems that are sources of delay:

- time required to decode instructions fetched from the target
- wasted decode bandwidth due to branches or a branch target in the middle of a cache line

Instructions are fetched and decoded by a translation engine. The translation engine then builds decoded instructions into μ op sequences called traces. Next, traces are then stored in the execution trace cache.

The execution trace cache stores μ ops in the path of program execution flow, where the results of branches in the code are integrated into the same cache line. This increases the instruction flow from the cache and makes better use of the overall cache storage space since the cache no longer stores instructions that are branched over and never executed.

The trace cache can deliver up to 3 μ ops per clock to the core.

The execution trace cache and the translation engine have cooperating branch prediction hardware. Branch targets are predicted based on their linear address using branch prediction logic and fetched as soon as possible. Branch targets are fetched from the execution trace cache if they are cached, otherwise they are fetched from the memory hierarchy. The translation engine's branch prediction information is used to form traces along the most likely paths.

2.2.2.2 Out-of-order Core

The core's ability to execute instructions out of order is a key factor in enabling parallelism. This feature enables the processor to reorder instructions so that if one μ op is delayed while waiting for data or a contended resource, other μ ops that appear later in the program order may proceed. This implies that when one portion of the pipeline experiences a delay, the delay may be covered by other operations executing in parallel or by the execution of μ ops queued up in a buffer.

The core is designed to facilitate parallel execution. It can dispatch up to six μ ops per cycle through the issue ports (Figure 2-5). Note that six μ ops per cycle exceeds the trace cache and retirement μ op bandwidth. The higher bandwidth in the core allows for peak bursts of greater than three μ ops and to achieve higher issue rates by allowing greater flexibility in issuing μ ops to different execution ports.

Most core execution units can start executing a new μ op every cycle, so several instructions can be in flight at one time in each pipeline. A number of arithmetic logical unit (ALU) instructions can start at two per cycle; many floating-point instructions start one every two cycles. Finally, μ ops can begin execution out of program order, as soon as their data inputs are ready and resources are available.

2.2.2.3 Retirement

The retirement section receives the results of the executed μ ops from the execution core and processes the results so that the architectural state is updated according to the original program order. For semantically correct execution, the results of Intel 64 and IA-32 instructions must be committed in original program order before they are retired. Exceptions may be raised as instructions are retired. For this reason, exceptions cannot occur speculatively.

When a μ op completes and writes its result to the destination, it is retired. Up to three μ ops may be retired per cycle. The reorder buffer (ROB) is the unit in the processor which buffers completed μ ops, updates the architectural state and manages the ordering of exceptions.

The retirement section also keeps track of branches and sends updated branch target information to the branch target buffer (BTB). This updates branch history. Figure 2-9 illustrates the paths that are most frequently executing inside the Intel NetBurst microarchitecture: an execution loop that interacts with multilevel cache hierarchy and the system bus.

The following sections describe in more detail the operation of the front end and the execution core. This information provides the background for using the optimization techniques and instruction latency data documented in this manual.

2.2.3 Front End Pipeline Detail

The following information about the front end operation is be useful for tuning software with respect to prefetching, branch prediction, and execution trace cache operations.

2.2.3.1 Prefetching

The Intel NetBurst microarchitecture supports three prefetching mechanisms:

- a hardware instruction fetcher that automatically prefetches instructions

- a hardware mechanism that automatically fetches data and instructions into the unified second-level cache
- a mechanism fetches data only and includes two distinct components: (1) a hardware mechanism to fetch the adjacent cache line within a 128-byte sector that contains the data needed due to a cache line miss, this is also referred to as adjacent cache line prefetch (2) a software controlled mechanism that fetches data into the caches using the prefetch instructions.

The hardware instruction fetcher reads instructions along the path predicted by the branch target buffer (BTB) into instruction streaming buffers. Data is read in 32-byte chunks starting at the target address. The second and third mechanisms are described later.

2.2.3.2 Decoder

The front end of the Intel NetBurst microarchitecture has a single decoder that decodes instructions at the maximum rate of one instruction per clock. Some complex instructions must enlist the help of the microcode ROM. The decoder operation is connected to the execution trace cache.

2.2.3.3 Execution Trace Cache

The execution trace cache (TC) is the primary instruction cache in the Intel NetBurst microarchitecture. The TC stores decoded instructions (μ ops).

In the Pentium 4 processor implementation, TC can hold up to 12-Kbyte μ ops and can deliver up to three μ ops per cycle. TC does not hold all of the μ ops that need to be executed in the execution core. In some situations, the execution core may need to execute a microcode flow instead of the μ op traces that are stored in the trace cache.

The Pentium 4 processor is optimized so that most frequently-executed instructions come from the trace cache while only a few instructions involve the microcode ROM.

2.2.3.4 Branch Prediction

Branch prediction is important to the performance of a deeply pipelined processor. It enables the processor to begin executing instructions long before the branch outcome is certain. Branch delay is the penalty that is incurred in the absence of correct prediction. For Pentium 4 and Intel Xeon processors, the branch delay for a correctly predicted instruction can be as few as zero clock cycles. The branch delay for a mispredicted branch can be many cycles, usually equivalent to the pipeline depth.

Branch prediction in the Intel NetBurst microarchitecture predicts near branches (conditional calls, unconditional calls, returns and indirect branches). It does not predict far transfers (far calls, irets and software interrupts).

Mechanisms have been implemented to aid in predicting branches accurately and to reduce the cost of taken branches. These include:

- ability to dynamically predict the direction and target of branches based on an instruction's linear address, using the branch target buffer (BTB)
- if no dynamic prediction is available or if it is invalid, the ability to statically predict the outcome based on the offset of the target: a backward branch is predicted to be taken, a forward branch is predicted to be not taken
- ability to predict return addresses using the 16-entry return address stack
- ability to build a trace of instructions across predicted taken branches to avoid branch penalties

The Static Predictor. Once a branch instruction is decoded, the direction of the branch (forward or backward) is known. If there was no valid entry in the BTB for the branch, the static predictor makes a prediction based on the direction of the branch. The static prediction mechanism predicts backward conditional branches (those with negative displacement, such as loop-closing branches) as taken. Forward branches are predicted not taken.

To take advantage of the forward-not-taken and backward-taken static predictions, code should be arranged so that the likely target of the branch immediately follows forward branches (see also Section 3.4.1, “Branch Prediction Optimization”).

Branch Target Buffer. Once branch history is available, the Pentium 4 processor can predict the branch outcome even before the branch instruction is decoded. The processor uses a branch history table and a branch target buffer (collectively called the BTB) to predict the direction and target of branches based on an instruction's linear address. Once the branch is retired, the BTB is updated with the target address.

Return Stack. Returns are always taken; but since a procedure may be invoked from several call sites, a single predicted target does not suffice. The Pentium 4 processor has a Return Stack that can predict return addresses for a series of procedure calls. This increases the benefit of unrolling loops containing function calls. It also mitigates the need to put certain procedures inline since the return penalty portion of the procedure call overhead is reduced.

Even if the direction and target address of the branch are correctly predicted, a taken branch may reduce available parallelism in a typical processor (since the decode bandwidth is wasted for instructions which immediately follow the branch and precede the target, if the branch does not end the line and target does not begin the line). The branch predictor allows a branch and its target to coexist in a single trace cache line, maximizing instruction delivery from the front end.

2.2.4 Execution Core Detail

The execution core is designed to optimize overall performance by handling common cases most efficiently. The hardware is designed to execute frequent operations in a

common context as fast as possible, at the expense of infrequent operations using rare contexts.

Some parts of the core may speculate that a common condition holds to allow faster execution. If it does not, the machine may stall. An example of this pertains to store-to-load forwarding (see “Store Forwarding” in this chapter). If a load is predicted to be dependent on a store, it gets its data from that store and tentatively proceeds. If the load turned out not to depend on the store, the load is delayed until the real data has been loaded from memory, then it proceeds.

2.2.4.1 Instruction Latency and Throughput

The superscalar out-of-order core contains hardware resources that can execute multiple μ ops in parallel. The core’s ability to make use of available parallelism of execution units can be enhanced by software’s ability to:

- Select instructions that can be decoded in less than 4 μ ops and/or have short latencies
- Order instructions to preserve available parallelism by minimizing long dependence chains and covering long instruction latencies
- Order instructions so that their operands are ready and their corresponding issue ports and execution units are free when they reach the scheduler

This subsection describes port restrictions, result latencies, and issue latencies (also referred to as throughput). These concepts form the basis to assist software for ordering instructions to increase parallelism. The order that μ ops are presented to the core of the processor is further affected by the machine’s scheduling resources.

It is the execution core that reacts to an ever-changing machine state, reordering μ ops for faster execution or delaying them because of dependence and resource constraints. The ordering of instructions in software is more of a suggestion to the hardware.

Appendix C, “Instruction Latency and Throughput,” lists some of the more-commonly-used Intel 64 and IA-32 instructions with their latency, their issue throughput, and associated execution units (where relevant). Some execution units are not pipelined (meaning that μ ops cannot be dispatched in consecutive cycles and the throughput is less than one per cycle). The number of μ ops associated with each instruction provides a basis for selecting instructions to generate. All μ ops executed out of the microcode ROM involve extra overhead.

2.2.4.2 Execution Units and Issue Ports

At each cycle, the core may dispatch μ ops to one or more of four issue ports. At the microarchitecture level, store operations are further divided into two parts: store data and store address operations. The four ports through which μ ops are dispatched to execution units and to load and store operations are shown in Figure 2-5. Some ports can dispatch two μ ops per clock. Those execution units are marked Double Speed.

Port 0. In the first half of the cycle, port 0 can dispatch either one floating-point move μ op (a floating-point stack move, floating-point exchange or floating-point store data) or one arithmetic logical unit (ALU) μ op (arithmetic, logic, branch or store data). In the second half of the cycle, it can dispatch one similar ALU μ op.

Port 1. In the first half of the cycle, port 1 can dispatch either one floating-point execution (all floating-point operations except moves, all SIMD operations) μ op or one normal-speed integer (multiply, shift and rotate) μ op or one ALU (arithmetic) μ op. In the second half of the cycle, it can dispatch one similar ALU μ op.

Port 2. This port supports the dispatch of one load operation per cycle.

Port 3. This port supports the dispatch of one store address operation per cycle.

The total issue bandwidth can range from zero to six μ ops per cycle. Each pipeline contains several execution units. The μ ops are dispatched to the pipeline that corresponds to the correct type of operation. For example, an integer arithmetic logic unit and the floating-point execution units (adder, multiplier, and divider) can share a pipeline.

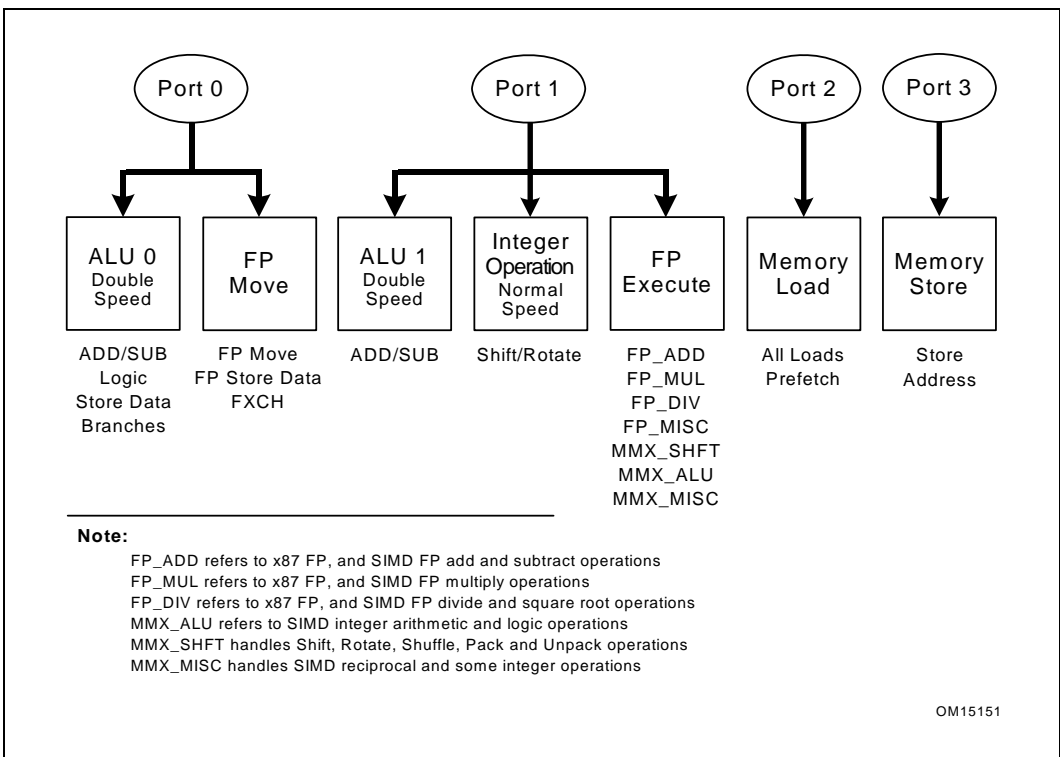


Figure 2-5. Execution Units and Ports in Out-Of-Order Core

2.2.4.3 Caches

The Intel NetBurst microarchitecture supports up to three levels of on-chip cache. At least two levels of on-chip cache are implemented in processors based on the Intel NetBurst microarchitecture. The Intel Xeon processor MP and selected Pentium and Intel Xeon processors may also contain a third-level cache.

The first level cache (nearest to the execution core) contains separate caches for instructions and data. These include the first-level data cache and the trace cache (an advanced first-level instruction cache). All other caches are shared between instructions and data.

Levels in the cache hierarchy are not inclusive. The fact that a line is in level i does not imply that it is also in level $i+1$. All caches use a pseudo-LRU (least recently used) replacement algorithm.

Table 2-5 provides parameters for all cache levels for Pentium and Intel Xeon Processors with CPUID model encoding equals 0, 1, 2 or 3.

Table 2-5. Pentium 4 and Intel Xeon Processor Cache Parameters

Level (Model)	Capacity	Associativity (ways)	Line Size (bytes)	Access Latency, Integer/ floating-point (clocks)	Write Update Policy
First (Model 0, 1, 2)	8 KB	4	64	2/9	write through
First (Model 3)	16 KB	8	64	4/12	write through
TC (All models)	12K μ ops	8	N/A	N/A	N/A
Second (Model 0, 1, 2)	256 KB or 512 KB ¹	8	64 ²	7/7	write back
Second (Model 3, 4)	1 MB	8	64 ²	18/18	write back
Second (Model 3, 4, 6)	2 MB	8	64 ²	20/20	write back
Third (Model 0, 1, 2)	0, 512 KB, 1 MB or 2 MB	8	64 ²	14/14	write back

NOTES:

1. Pentium 4 and Intel Xeon processors with CPUID model encoding value of 2 have a second level cache of 512 KB.
2. Each read due to a cache miss fetches a sector, consisting of two adjacent cache lines; a write operation is 64 bytes.

On processors without a third level cache, the second-level cache miss initiates a transaction across the system bus interface to the memory sub-system. On processors with a third level cache, the third-level cache miss initiates a transaction across the system bus. A bus write transaction writes 64 bytes to cacheable memory, or separate 8-byte chunks if the destination is not cacheable. A bus read transaction from cacheable memory fetches two cache lines of data.

The system bus interface supports using a scalable bus clock and achieves an effective speed that quadruples the speed of the scalable bus clock. It takes on the order of 12 processor cycles to get to the bus and back within the processor, and 6-12 bus cycles to access memory if there is no bus congestion. Each bus cycle equals several processor cycles. The ratio of processor clock speed to the scalable bus clock speed is referred to as bus ratio. For example, one bus cycle for a 100 MHz bus is equal to 15 processor cycles on a 1.50 GHz processor. Since the speed of the bus is implementation-dependent, consult the specifications of a given system for further details.

2.2.4.4 Data Prefetch

The Pentium 4 processor and other processors based on the NetBurst microarchitecture have two type of mechanisms for prefetching data: software prefetch instructions and hardware-based prefetch mechanisms.

Software controlled prefetch is enabled using the four prefetch instructions (PREFETCHh) introduced with SSE. The software prefetch is not intended for prefetching code. Using it can incur significant penalties on a multiprocessor system if code is shared.

Software prefetch can provide benefits in selected situations. These situations include when:

- the pattern of memory access operations in software allows the programmer to hide memory latency
- a reasonable choice can be made about how many cache lines to fetch ahead of the line being execute
- a choice can be made about the type of prefetch to use

SSE prefetch instructions have different behaviors, depending on cache levels updated and the processor implementation. For instance, a processor may implement the non-temporal prefetch by returning data to the cache level closest to the processor core. This approach has the following effect:

- minimizes disturbance of temporal data in other cache levels
- avoids the need to access off-chip caches, which can increase the realized bandwidth compared to a normal load-miss, which returns data to all cache levels

Situations that are less likely to benefit from software prefetch are:

- For cases that are already bandwidth bound, prefetching tends to increase bandwidth demands.

- Prefetching far ahead can cause eviction of cached data from the caches prior to the data being used in execution.
- Not prefetching far enough can reduce the ability to overlap memory and execution latencies.

Software prefetches are treated by the processor as a hint to initiate a request to fetch data from the memory system, and consume resources in the processor and the use of too many prefetches can limit their effectiveness. Examples of this include prefetching data in a loop for a reference outside the loop and prefetching in a basic block that is frequently executed, but which seldom precedes the reference for which the prefetch is targeted.

See: Chapter 7, “Optimizing Cache Usage.”

Automatic hardware prefetch is a feature in the Pentium 4 processor. It brings cache lines into the unified second-level cache based on prior reference patterns.

Software prefetching has the following characteristics:

- handles irregular access patterns, which do not trigger the hardware prefetcher
- handles prefetching of short arrays and avoids hardware prefetching start-up delay before initiating the fetches
- must be added to new code; so it does not benefit existing applications

Hardware prefetching for Pentium 4 processor has the following characteristics:

- works with existing applications
- does not require extensive study of prefetch instructions
- requires regular access patterns
- avoids instruction and issue port bandwidth overhead
- has a start-up penalty before the hardware prefetcher triggers and begins initiating fetches

The hardware prefetcher can handle multiple streams in either the forward or backward directions. The start-up delay and fetch-ahead has a larger effect for short arrays when hardware prefetching generates a request for data beyond the end of an array (not actually utilized). The hardware penalty diminishes if it is amortized over longer arrays.

Hardware prefetching is triggered after two successive cache misses in the last level cache and requires these cache misses to satisfy a condition that the linear address distance between these cache misses is within a threshold value. The threshold value depends on the processor implementation (see Table 2-6). However, hardware prefetching will not cross 4-KByte page boundaries. As a result, hardware prefetching can be very effective when dealing with cache miss patterns that have small strides and that are significantly less than half the threshold distance to trigger hardware prefetching. On the other hand, hardware prefetching will not benefit cache miss patterns that have frequent DTLB misses or have access strides that cause successive cache misses that are spatially apart by more than the trigger threshold distance.

Software can proactively control data access pattern to favor smaller access strides (e.g., stride that is less than half of the trigger threshold distance) over larger access strides (stride that is greater than the trigger threshold distance), this can achieve additional benefit of improved temporal locality and reducing cache misses in the last level cache significantly.

Software optimization of a data access pattern should emphasize tuning for hardware prefetch first to favor greater proportions of smaller-stride data accesses in the workload; before attempting to provide hints to the processor by employing software prefetch instructions.

2.2.4.5 Loads and Stores

The Pentium 4 processor employs the following techniques to speed up the execution of memory operations:

- speculative execution of loads
- reordering of loads with respect to loads and stores
- multiple outstanding misses
- buffering of writes
- forwarding of data from stores to dependent loads

Performance may be enhanced by not exceeding the memory issue bandwidth and buffer resources provided by the processor. Up to one load and one store may be issued for each cycle from a memory port reservation station. In order to be dispatched to a reservation station, there must be a buffer entry available for each memory operation. There are 48 load buffers and 24 store buffers³. These buffers hold the μop and address information until the operation is completed, retired, and deallocated.

The Pentium 4 processor is designed to enable the execution of memory operations out of order with respect to other instructions and with respect to each other. Loads can be carried out speculatively, that is, before all preceding branches are resolved. However, speculative loads cannot cause page faults.

Reordering loads with respect to each other can prevent a load miss from stalling later loads. Reordering loads with respect to other loads and stores to different addresses can enable more parallelism, allowing the machine to execute operations as soon as their inputs are ready. Writes to memory are always carried out in program order to maintain program correctness.

A cache miss for a load does not prevent other loads from issuing and completing. The Pentium 4 processor supports up to four (or eight for Pentium 4 processor with CPUID signature corresponding to family 15, model 3) outstanding load misses that can be serviced either by on-chip caches or by memory.

3. Pentium 4 processors with CPUID model encoding equal to 3 have more than 24 store buffers.

Store buffers improve performance by allowing the processor to continue executing instructions without having to wait until a write to memory and/or cache is complete. Writes are generally not on the critical path for dependence chains, so it is often beneficial to delay writes for more efficient use of memory-access bus cycles.

2.2.4.6 Store Forwarding

Loads can be moved before stores that occurred earlier in the program if they are not predicted to load from the same linear address. If they do read from the same linear address, they have to wait for the store data to become available. However, with store forwarding, they do not have to wait for the store to write to the memory hierarchy and retire. The data from the store can be forwarded directly to the load, as long as the following conditions are met:

- **Sequence** — Data to be forwarded to the load has been generated by a program-matically-earlier store which has already executed.
- **Size** — Bytes loaded must be a subset of (including a proper subset, that is, the same) bytes stored.
- **Alignment** — The store cannot wrap around a cache line boundary, and the linear address of the load must be the same as that of the store.

2.3 INTEL® PENTIUM® M PROCESSOR MICROARCHITECTURE

Like the Intel NetBurst microarchitecture, the pipeline of the Intel Pentium M processor microarchitecture contains three sections:

- in-order issue front end
- out-of-order superscalar execution core
- in-order retirement unit

Intel Pentium M processor microarchitecture supports a high-speed system bus (up to 533 MHz) with 64-byte line size. Most coding recommendations that apply to the Intel NetBurst microarchitecture also apply to the Intel Pentium M processor.

The Intel Pentium M processor microarchitecture is designed for lower power consumption. There are other specific areas of the Pentium M processor microarchitecture that differ from the Intel NetBurst microarchitecture. They are described next. A block diagram of the Intel Pentium M processor is shown in Figure 2-6.

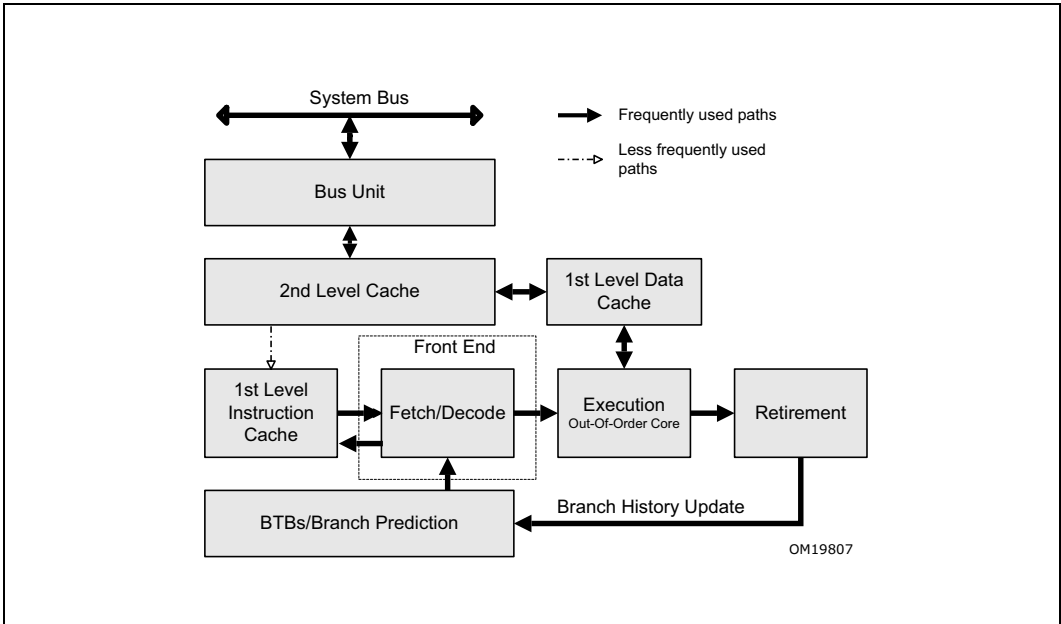


Figure 2-6. The Intel Pentium M Processor Microarchitecture

2.3.1 Front End

The Intel Pentium M processor uses a pipeline depth that enables high performance and low power consumption. It's shorter than that of the Intel NetBurst microarchitecture.

The Intel Pentium M processor front end consists of two parts:

- fetch/decode unit
- instruction cache

The fetch and decode unit includes a hardware instruction prefetcher and three decoders that enable parallelism. It also provides a 32-KByte instruction cache that stores un-decoded binary instructions.

The instruction prefetcher fetches instructions in a linear fashion from memory if the target instructions are not already in the instruction cache. The prefetcher is designed to fetch efficiently from an aligned 16-byte block. If the modulo 16 remainder of a branch target address is 14, only two useful instruction bytes are fetched in the first cycle. The rest of the instruction bytes are fetched in subsequent cycles.

The three decoders decode instructions and break them down into μ ops. In each clock cycle, the first decoder is capable of decoding an instruction with four or fewer

μops. The remaining two decoders each decode a one μop instruction in each clock cycle.

The front end can issue multiple μops per cycle, in original program order, to the out-of-order core.

The Intel Pentium M processor incorporates sophisticated branch prediction hardware to support the out-of-order core. The branch prediction hardware includes dynamic prediction, and branch target buffers.

The Intel Pentium M processor has enhanced dynamic branch prediction hardware. Branch target buffers (BTB) predict the direction and target of branches based on an instruction's address.

The Pentium M Processor includes two techniques to reduce the execution time of certain operations:

- **ESP folding** — This eliminates the ESP manipulation μops in stack-related instructions such as PUSH, POP, CALL and RET. It increases decode rename and retirement throughput. ESP folding also increases execution bandwidth by eliminating μops which would have required execution resources.
- **Micro-ops (μops) fusion** — Some of the most frequent pairs of μops derived from the same instruction can be fused into a single μops. The following categories of fused μops have been implemented in the Pentium M processor:
 - “Store address” and “store data” μops are fused into a single “Store” μop. This holds for all types of store operations, including integer, floating-point, MMX technology, and Streaming SIMD Extensions (SSE and SSE2) operations.
 - A load μop in most cases can be fused with a successive execution μop. This holds for integer, floating-point and MMX technology loads and for most kinds of successive execution operations. Note that SSE Loads can not be fused.

2.3.2 Data Prefetching

The Intel Pentium M processor supports three prefetching mechanisms:

- The first mechanism is a hardware instruction fetcher and is described in the previous section.
- The second mechanism automatically fetches data into the second-level cache. The implementation of automatic hardware prefetching in Pentium M processor family is basically similar to those described for NetBurst microarchitecture. The trigger threshold distance for each relevant processor models is shown in Table 2-6. The third mechanism is a software processor mechanism that fetches data into the caches using the prefetch instructions.

Table 2-6. Trigger Threshold and CPUID Signatures for Processor Families

Trigger Threshold Distance (Bytes)	Extended Model ID	Extended Family ID	Family ID	Model ID
512	0	0	15	3, 4, 6
256	0	0	15	0, 1, 2
256	0	0	6	9, 13, 14

Data is fetched 64 bytes at a time; the instruction and data translation lookaside buffers support 128 entries. See Table 2-7 for processor cache parameters.

Table 2-7. Cache Parameters of Pentium M, Intel Core Solo, and Intel Core Duo Processors

Level	Capacity	Associativity (ways)	Line Size (bytes)	Access Latency (clocks)	Write Update Policy
First	32 KByte	8	64	3	Writeback
Instruction	32 KByte	8	N/A	N/A	N/A
Second (mode 9)	1 MByte	8	64	9	Writeback
Second (model 13)	2 MByte	8	64	10	Writeback
Second (model 14)	2 MByte	8	64	14	Writeback

2.3.3 Out-of-Order Core

The processor core dynamically executes μ ops independent of program order. The core is designed to facilitate parallel execution by employing many buffers, issue ports, and parallel execution units.

The out-of-order core buffers μ ops in a Reservation Station (RS) until their operands are ready and resources are available. Each cycle, the core may dispatch up to five μ ops through the issue ports.

2.3.4 In-Order Retirement

The retirement unit in the Pentium M processor buffers completed μ ops in the reorder buffer (ROB). The ROB updates the architectural state in order. Up to three μ ops may be retired per cycle.

2.4 MICROARCHITECTURE OF INTEL® CORE™ SOLO AND INTEL® CORE™ DUO PROCESSORS

Intel Core Solo and Intel Core Duo processors incorporate an microarchitecture that is similar to the Pentium M processor microarchitecture, but provides additional enhancements for performance and power efficiency. Enhancements include:

- **Intel Smart Cache** — This second level cache is shared between two cores in an Intel Core Duo processor to minimize bus traffic between two cores accessing a single-copy of cached data. It allows an Intel Core Solo processor (or when one of the two cores in an Intel Core Duo processor is idle) to access its full capacity.
- **Stream SIMD Extensions 3** — These extensions are supported in Intel Core Solo and Intel Core Duo processors.
- **Decoder improvement** — Improvement in decoder and μop fusion allows the front end to see most instructions as single μop instructions. This increases the throughput of the three decoders in the front end.
- **Improved execution core** — Throughput of SIMD instructions is improved and the out-of-order engine is more robust in handling sequences of frequently-used instructions. Enhanced internal buffering and prefetch mechanisms also improve data bandwidth for execution.
- **Power-optimized bus** — The system bus is optimized for power efficiency; increased bus speed supports 667 MHz.
- **Data Prefetch** — Intel Core Solo and Intel Core Duo processors implement improved hardware prefetch mechanisms: one mechanism can look ahead and prefetch data into L1 from L2. These processors also provide enhanced hardware prefetchers similar to those of the Pentium M processor (see Table 2-6).

2.4.1 Front End

Execution of SIMD instructions on Intel Core Solo and Intel Core Duo processors are improved over Pentium M processors by the following enhancements:

- **Micro-op fusion** — Scalar SIMD operations on register and memory have single μop flows comparable to X87 flows. Many packed instructions are fused to reduce its μop flow from four to two μops .
- **Eliminating decoder restrictions** — Intel Core Solo and Intel Core Duo processors improve decoder throughput with micro-fusion and macro-fusion, so that many more SSE and SSE2 instructions can be decoded without restriction. On Pentium M processors, many single μop SSE and SSE2 instructions must be decoded by the main decoder.
- **Improved packed SIMD instruction decoding** — On Intel Core Solo and Intel Core Duo processors, decoding of most packed SSE instructions is done by all three decoders. As a result the front end can process up to three packed SSE instructions every cycle. There are some exceptions to the above; some shuffle/unpack/shift operations are not fused and require the main decoder.

2.4.2 Data Prefetching

Intel Core Solo and Intel Core Duo processors provide hardware mechanisms to prefetch data from memory to the second-level cache. There are two techniques:

1. One mechanism activates after the data access pattern experiences two cache-reference misses within a trigger-distance threshold (see Table 2-6). This mechanism is similar to that of the Pentium M processor, but can track 16 forward data streams and 4 backward streams.
2. The second mechanism fetches an adjacent cache line of data after experiencing a cache miss. This effectively simulates the prefetching capabilities of 128-byte sectors (similar to the sectoring of two adjacent 64-byte cache lines available in Pentium 4 processors).

Hardware prefetch requests are queued up in the bus system at lower priority than normal cache-miss requests. If bus queue is in high demand, hardware prefetch requests may be ignored or cancelled to service bus traffic required by demand cache-misses and other bus transactions. Hardware prefetch mechanisms are enhanced over that of Pentium M processor by:

- Data stores that are not in the second-level cache generate read for ownership requests. These requests are treated as loads and can trigger a prefetch stream.
- Software prefetch instructions are treated as loads, they can also trigger a prefetch stream.

2.5 INTEL® HYPER-THREADING TECHNOLOGY

Intel® Hyper-Threading Technology (HT Technology) is supported by specific members of the Intel Pentium 4 and Xeon processor families. The technology enables software to take advantage of task-level, or thread-level parallelism by providing multiple logical processors within a physical processor package. In its first implementation in Intel Xeon processor, Hyper-Threading Technology makes a single physical processor appear as two logical processors.

The two logical processors each have a complete set of architectural registers while sharing one single physical processor's resources. By maintaining the architecture state of two processors, an HT Technology capable processor looks like two processors to software, including operating system and application code.

By sharing resources needed for peak demands between two logical processors, HT Technology is well suited for multiprocessor systems to provide an additional performance boost in throughput when compared to traditional MP systems.

Figure 2-7 shows a typical bus-based symmetric multiprocessor (SMP) based on processors supporting HT Technology. Each logical processor can execute a software thread, allowing a maximum of two software threads to execute simultaneously on one physical processor. The two software threads execute simultaneously, meaning that in the same clock cycle an "add" operation from logical processor 0 and another

“add” operation and load from logical processor 1 can be executed simultaneously by the execution engine.

In the first implementation of HT Technology, the physical execution resources are shared and the architecture state is duplicated for each logical processor. This minimizes the die area cost of implementing HT Technology while still achieving performance gains for multithreaded applications or multitasking workloads.

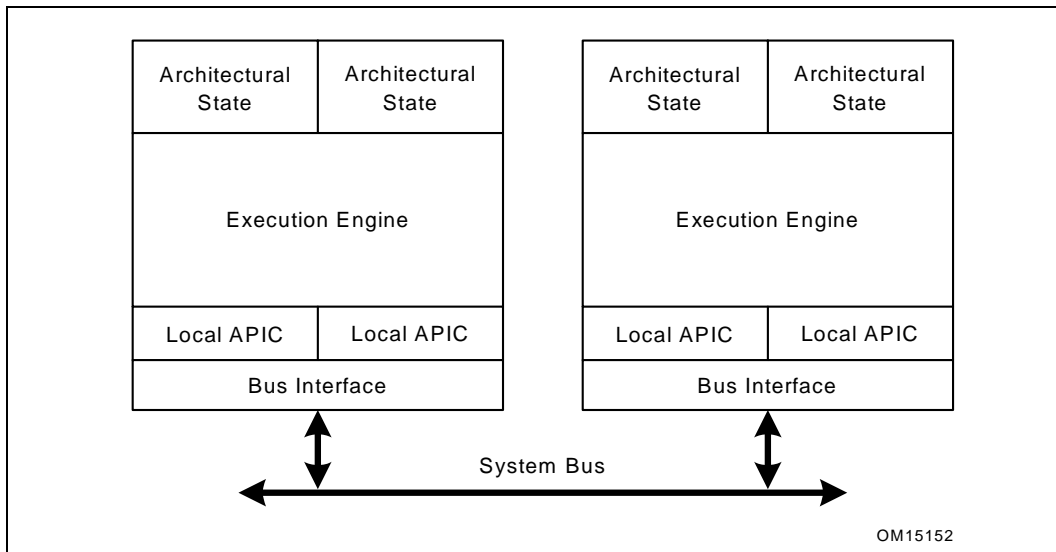


Figure 2-7. Hyper-Threading Technology on an SMP

The performance potential due to HT Technology is due to:

- The fact that operating systems and user programs can schedule processes or threads to execute simultaneously on the logical processors in each physical processor
- The ability to use on-chip execution resources at a higher level than when only a single thread is consuming the execution resources; higher level of resource utilization can lead to higher system throughput

2.5.1 Processor Resources and HT Technology

The majority of microarchitecture resources in a physical processor are shared between the logical processors. Only a few small data structures were replicated for each logical processor. This section describes how resources are shared, partitioned or replicated.

2.5.1.1 Replicated Resources

The architectural state is replicated for each logical processor. The architecture state consists of registers that are used by the operating system and application code to control program behavior and store data for computations. This state includes the eight general-purpose registers, the control registers, machine state registers, debug registers, and others. There are a few exceptions, most notably the memory type range registers (MTRRs) and the performance monitoring resources. For a complete list of the architecture state and exceptions, see the *Intel® 64 and IA-32 Architectures Software Developer's Manual, Volumes 3A & 3B*.

Other resources such as instruction pointers and register renaming tables were replicated to simultaneously track execution and state changes of the two logical processors. The return stack predictor is replicated to improve branch prediction of return instructions.

In addition, a few buffers (for example, the 2-entry instruction streaming buffers) were replicated to reduce complexity.

2.5.1.2 Partitioned Resources

Several buffers are shared by limiting the use of each logical processor to half the entries. These are referred to as partitioned resources. Reasons for this partitioning include:

- Operational fairness
- Permitting the ability to allow operations from one logical processor to bypass operations of the other logical processor that may have stalled

For example: a cache miss, a branch misprediction, or instruction dependencies may prevent a logical processor from making forward progress for some number of cycles. The partitioning prevents the stalled logical processor from blocking forward progress.

In general, the buffers for staging instructions between major pipe stages are partitioned. These buffers include μ op queues after the execution trace cache, the queues after the register rename stage, the reorder buffer which stages instructions for retirement, and the load and store buffers.

In the case of load and store buffers, partitioning also provided an easier implementation to maintain memory ordering for each logical processor and detect memory ordering violations.

2.5.1.3 Shared Resources

Most resources in a physical processor are fully shared to improve the dynamic utilization of the resource, including caches and all the execution units. Some shared resources which are linearly addressed, like the DTLB, include a logical processor ID bit to distinguish whether the entry belongs to one logical processor or the other.

The first level cache can operate in two modes depending on a context-ID bit:

- Shared mode: The L1 data cache is fully shared by two logical processors.
- Adaptive mode: In adaptive mode, memory accesses using the page directory is mapped identically across logical processors sharing the L1 data cache.

The other resources are fully shared.

2.5.2 Microarchitecture Pipeline and HT Technology

This section describes the HT Technology microarchitecture and how instructions from the two logical processors are handled between the front end and the back end of the pipeline.

Although instructions originating from two programs or two threads execute simultaneously and not necessarily in program order in the execution core and memory hierarchy, the front end and back end contain several selection points to select between instructions from the two logical processors. All selection points alternate between the two logical processors unless one logical processor cannot make use of a pipeline stage. In this case, the other logical processor has full use of every cycle of the pipeline stage. Reasons why a logical processor may not use a pipeline stage include cache misses, branch mispredictions, and instruction dependencies.

2.5.3 Front End Pipeline

The execution trace cache is shared between two logical processors. Execution trace cache access is arbitrated by the two logical processors every clock. If a cache line is fetched for one logical processor in one clock cycle, the next clock cycle a line would be fetched for the other logical processor provided that both logical processors are requesting access to the trace cache.

If one logical processor is stalled or is unable to use the execution trace cache, the other logical processor can use the full bandwidth of the trace cache until the initial logical processor's instruction fetches return from the L2 cache.

After fetching the instructions and building traces of μ ops, the μ ops are placed in a queue. This queue decouples the execution trace cache from the register rename pipeline stage. As described earlier, if both logical processors are active, the queue is partitioned so that both logical processors can make independent forward progress.

2.5.4 Execution Core

The core can dispatch up to six μ ops per cycle, provided the μ ops are ready to execute. Once the μ ops are placed in the queues waiting for execution, there is no distinction between instructions from the two logical processors. The execution core and memory hierarchy is also oblivious to which instructions belong to which logical processor.

After execution, instructions are placed in the re-order buffer. The re-order buffer decouples the execution stage from the retirement stage. The re-order buffer is partitioned such that each uses half the entries.

2.5.5 Retirement

The retirement logic tracks when instructions from the two logical processors are ready to be retired. It retires the instruction in program order for each logical processor by alternating between the two logical processors. If one logical processor is not ready to retire any instructions, then all retirement bandwidth is dedicated to the other logical processor.

Once stores have retired, the processor needs to write the store data into the level-one data cache. Selection logic alternates between the two logical processors to commit store data to the cache.

2.6 MULTICORE PROCESSORS

The Intel Pentium D processor and the Pentium Processor Extreme Edition introduce multicore features. These processors enhance hardware support for multithreading by providing two processor cores in each physical processor package. The Dual-core Intel Xeon and Intel Core Duo processors also provide two processor cores in a physical package. The multicore topology of Intel Core 2 Duo processors are similar to those of Intel Core Duo processor.

The Intel Pentium D processor provides two logical processors in a physical package, each logical processor has a separate execution core and a cache hierarchy. The Dual-core Intel Xeon processor and the Intel Pentium Processor Extreme Edition provide four logical processors in a physical package that has two execution cores. Each core provides two logical processors sharing an execution core and a cache hierarchy.

The Intel Core Duo processor provides two logical processors in a physical package. Each logical processor has a separate execution core (including first-level cache) and a smart second-level cache. The second-level cache is shared between two logical processors and optimized to reduce bus traffic when the same copy of cached data is used by two logical processors. The full capacity of the second-level cache can be used by one logical processor if the other logical processor is inactive.

The functional blocks of these processors are shown in Figure 2-8.

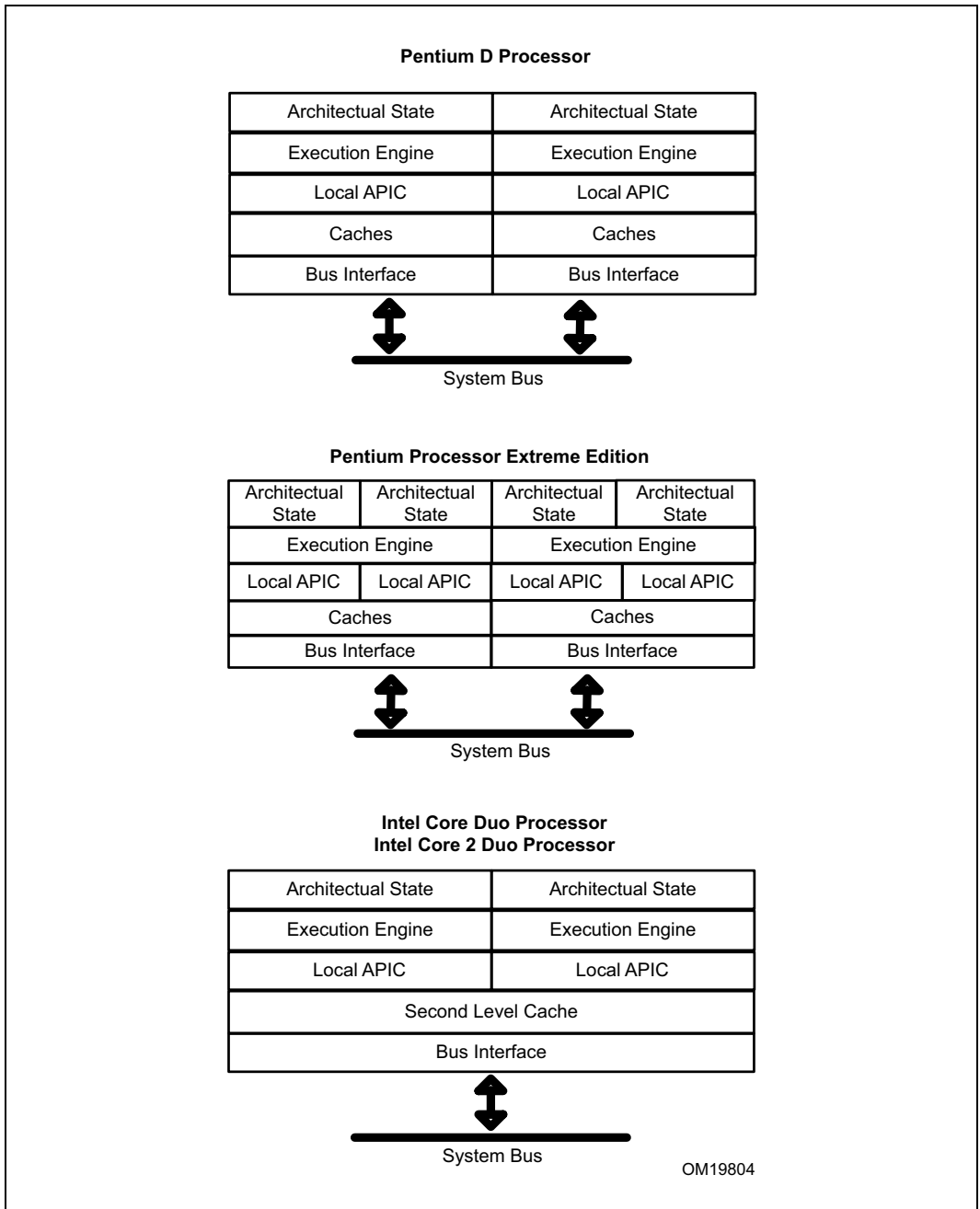


Figure 2-8. Pentium D Processor, Pentium Processor Extreme Edition, Intel Core Duo Processor, and Intel Core 2 Duo Processor

2.6.1 Microarchitecture Pipeline and MultiCore Processors

In general, each core in a multicore processor resembles a single-core processor implementation of the underlying microarchitecture. The implementation of the cache hierarchy in a dual-core or multicore processor may be the same or different from the cache hierarchy implementation in a single-core processor.

CPUID should be used to determine cache-sharing topology information in a processor implementation and the underlying microarchitecture. The former is obtained by querying the deterministic cache parameter leaf (see Chapter 7, “Optimizing Cache Usage”); the latter by using the encoded values for extended family, family, extended model, and model fields. See Table 2-8.

Table 2-8. Family And Model Designations of Microarchitectures

Dual-Core Processor	Micro-architecture	Extended Family	Family	Extended Model	Model
Pentium D processor	NetBurst	0	15	0	3, 4, 6
Pentium processor Extreme Edition	NetBurst	0	15	0	3, 4, 6
Intel Core Duo processor	Improved Pentium M	0	6	0	14
Intel Core 2 Duo processor/ Intel Xeon processor 5100	Intel Core Microarchitecture	0	6	0	15

2.6.2 Shared Cache in Intel® Core™ Duo Processors

The Intel Core Duo processor has two symmetric cores that share the second-level cache and a single bus interface (see Figure 2-8). Two threads executing on two cores in an Intel Core Duo processor can take advantage of shared second-level cache, accessing a single-copy of cached data without generating bus traffic.

2.6.2.1 Load and Store Operations

When an instruction needs to read data from a memory address, the processor looks for it in caches and memory. When an instruction writes data to a memory location (write back) the processor first makes sure that the cache line that contains the memory location is owned by the first-level data cache of the initiating core (that is,

the line is in exclusive or modified state). Then the processor looks for the cache line in the cache and memory sub-systems. The look-ups for the locality of load or store operation are in the following order:

1. DCU of the initiating core
2. DCU of the other core and second-level cache
3. System memory

The cache line is taken from the DCU of the other core only if it is modified, ignoring the cache line availability or state in the L2 cache. Table 2-9 lists the performance characteristics of generic load and store operations in an Intel Core Duo processor. Numeric values of Table 2-9 are in terms of processor core cycles.

Table 2-9. Characteristics of Load and Store Operations in Intel Core Duo Processors

Data Locality	Load		Store	
	Latency	Throughput	Latency	Throughput
DCU	3	1	2	1
DCU of the other core in "Modified" state	14 + bus transaction	14 + bus transaction	14 + bus transaction	~10
2nd-level cache	14	<6	14	<6
Memory	14 + bus transaction	Bus read protocol	14 + bus transaction	Bus write protocol

Throughput is expressed as the number of cycles to wait before the same operation can start again. The latency of a bus transaction is exposed in some of these operations, as indicated by entries containing "+ bus transaction". On Intel Core Duo processors, a typical bus transaction may take 5.5 bus cycles. For a 667 MHz bus and a core frequency of 2.167GHz, the total of $14 + 5.5 * 2167 / (667/4) \sim 86$ core cycles.

Sometimes a modified cache line has to be evicted to make room for a new cache line. The modified cache line is evicted in parallel to bringing in new data and does not require additional latency. However, when data is written back to memory, the eviction consumes cache bandwidth and bus bandwidth. For multiple cache misses that require the eviction of modified lines and are within a short time, there is an overall degradation in response time of these cache misses.

For store operation, reading for ownership must be completed before the data is written to the first-level data cache and the line is marked as modified. Reading for ownership and storing the data happens after instruction retirement and follows the order of retirement. The bus store latency does not affect the store instruction itself. However, several sequential stores may have cumulative latency that can effect performance.

2.7 INTEL® 64 ARCHITECTURE

Intel 64 architecture supports almost all features in the IA-32 Intel architecture and extends support to run 64-bit OS and 64-bit applications in 64-bit linear address space. Intel 64 architecture provides a new operating mode, referred to as IA-32e mode, and increases the linear address space for software to 64 bits and supports physical address space up to 40 bits.

IA-32e mode consists of two sub-modes: (1) compatibility mode enables a 64-bit operating system to run most legacy 32-bit software unmodified, (2) 64-bit mode enables a 64-bit operating system to run applications written to access 64-bit linear address space.

In the 64-bit mode of Intel 64 architecture, software may access:

- 64-bit flat linear addressing
- 8 additional general-purpose registers (GPRs)
- 8 additional registers for streaming SIMD extensions (SSE, SSE2, SSE3 and SSSE3)
- 64-bit-wide GPRs and instruction pointers
- uniform byte-register addressing
- fast interrupt-prioritization mechanism
- a new instruction-pointer relative-addressing mode

For optimizing 64-bit applications, the features that impact software optimizations include:

- using a set of prefixes to access new registers or 64-bit register operand
- pointer size increases from 32 bits to 64 bits
- instruction-specific usages

2.8 SIMD TECHNOLOGY

SIMD computations (see Figure 2-9) were introduced to the architecture with MMX technology. MMX technology allows SIMD computations to be performed on packed byte, word, and doubleword integers. The integers are contained in a set of eight 64-bit registers called MMX registers (see Figure 2-10).

The Pentium III processor extended the SIMD computation model with the introduction of the Streaming SIMD Extensions (SSE). SSE allows SIMD computations to be performed on operands that contain four packed single-precision floating-point data elements. The operands can be in memory or in a set of eight 128-bit XMM registers (see Figure 2-10). SSE also extended SIMD computational capability by adding additional 64-bit MMX instructions.

Figure 2-9 shows a typical SIMD computation. Two sets of four packed data elements (X1, X2, X3, and X4, and Y1, Y2, Y3, and Y4) are operated on in parallel, with the

same operation being performed on each corresponding pair of data elements (X1 and Y1, X2 and Y2, X3 and Y3, and X4 and Y4). The results of the four parallel computations are sorted as a set of four packed data elements.

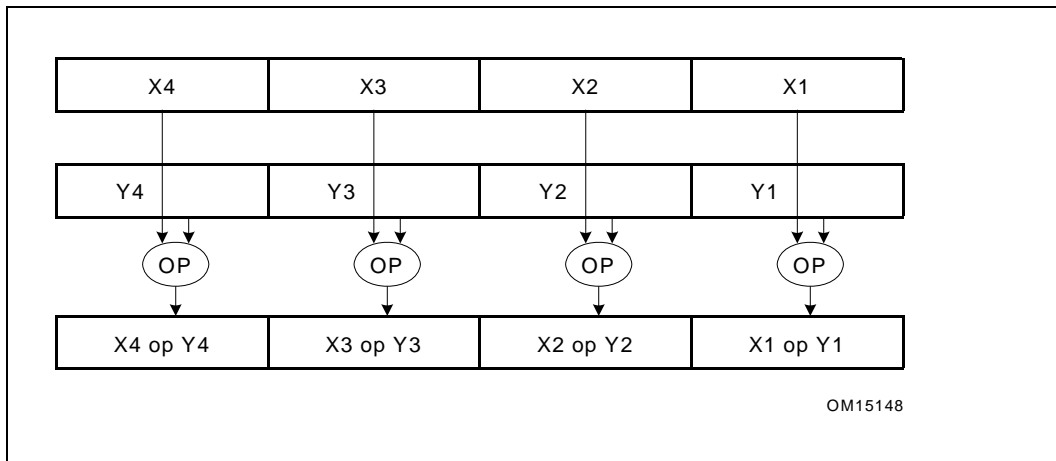


Figure 2-9. Typical SIMD Operations

The Pentium 4 processor further extended the SIMD computation model with the introduction of Streaming SIMD Extensions 2 (SSE2), Streaming SIMD Extensions 3 (SSE3), and Intel Xeon processor 5100 series introduced Supplemental Streaming SIMD Extensions 3 (SSSE3).

SSE2 works with operands in either memory or in the XMM registers. The technology extends SIMD computations to process packed double-precision floating-point data elements and 128-bit packed integers. There are 144 instructions in SSE2 that operate on two packed double-precision floating-point data elements or on 16 packed byte, 8 packed word, 4 doubleword, and 2 quadword integers.

SSE3 enhances x87, SSE and SSE2 by providing 13 instructions that can accelerate application performance in specific areas. These include video processing, complex arithmetics, and thread synchronization. SSE3 complements SSE and SSE2 with instructions that process SIMD data asymmetrically, facilitate horizontal computation, and help avoid loading cache line splits. See Figure 2-10.

SSSE3 provides additional enhancement for SIMD computation with 32 instructions on digital video and signal processing.

The SIMD extensions operates the same way in Intel 64 architecture as in IA-32 architecture, with the following enhancements:

- 128-bit SIMD instructions referencing XMM register can access 16 XMM registers in 64-bit mode.

- Instructions that reference 32-bit general purpose registers can access 16 general purpose registers in 64-bit mode.

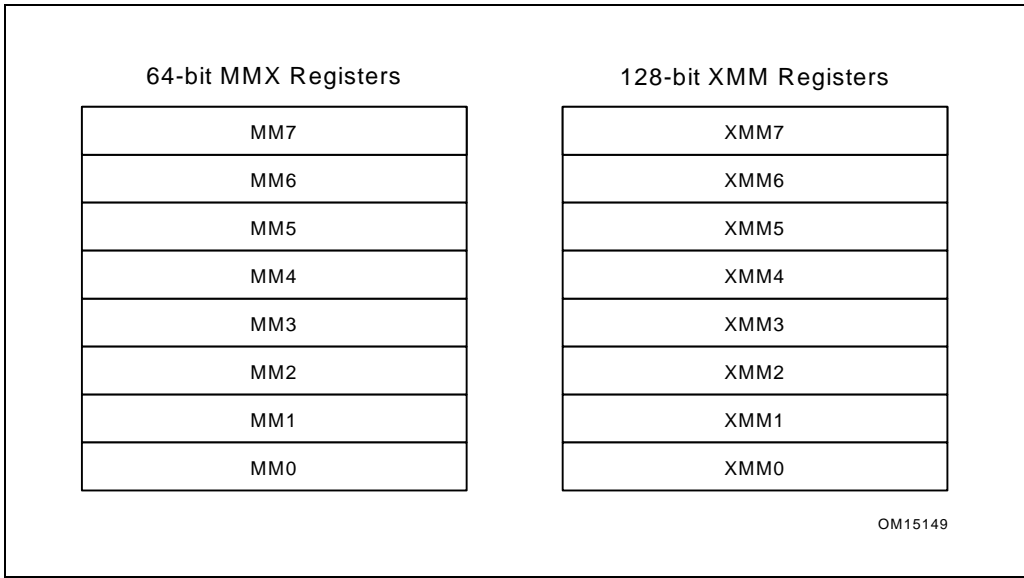


Figure 2-10. SIMD Instruction Register Usage

SIMD improves the performance of 3D graphics, speech recognition, image processing, scientific applications and applications that have the following characteristics:

- inherently parallel
- recurring memory access patterns
- localized recurring operations performed on the data
- data-independent control flow

SIMD floating-point instructions fully support the IEEE Standard 754 for Binary Floating-Point Arithmetic. They are accessible from all IA-32 execution modes: protected mode, real address mode, and Virtual 8086 mode.

SSE, SSE2, and MMX technologies are architectural extensions. Existing software will continue to run correctly, without modification on Intel microprocessors that incorporate these technologies. Existing software will also run correctly in the presence of applications that incorporate SIMD technologies.

SSE and SSE2 instructions also introduced cacheability and memory ordering instructions that can improve cache usage and application performance.

For more on SSE, SSE2, SSE3 and MMX technologies, see the following chapters in the *Intel® 64 and IA-32 Architectures Software Developer's Manual, Volume 1*:

- Chapter 9, "Programming with Intel® MMX™ Technology"
- Chapter 10, "Programming with Streaming SIMD Extensions (SSE)"
- Chapter 11, "Programming with Streaming SIMD Extensions 2 (SSE2)"
- Chapter 12, "Programming with SSE3 and Supplemental SSE3"

2.8.1 Summary of SIMD Technologies

2.8.1.1 MMX™ Technology

MMX Technology introduced:

- 64-bit MMX registers
- Support for SIMD operations on packed byte, word, and doubleword integers

MMX instructions are useful for multimedia and communications software.

2.8.1.2 Streaming SIMD Extensions

Streaming SIMD extensions introduced:

- 128-bit XMM registers
- 128-bit data type with four packed single-precision floating-point operands
- data prefetch instructions
- non-temporal store instructions and other cacheability and memory ordering instructions
- extra 64-bit SIMD integer support

SSE instructions are useful for 3D geometry, 3D rendering, speech recognition, and video encoding and decoding.

2.8.1.3 Streaming SIMD Extensions 2

Streaming SIMD extensions 2 add the following:

- 128-bit data type with two packed double-precision floating-point operands
- 128-bit data types for SIMD integer operation on 16-byte, 8-word, 4-doubleword, or 2-quadword integers
- support for SIMD arithmetic on 64-bit integer operands
- instructions for converting between new and existing data types
- extended support for data shuffling
- Extended support for cacheability and memory ordering operations

SSE2 instructions are useful for 3D graphics, video decoding/encoding, and encryption.

2.8.1.4 Streaming SIMD Extensions 3

Streaming SIMD extensions 3 add the following:

- SIMD floating-point instructions for asymmetric and horizontal computation
- a special-purpose 128-bit load instruction to avoid cache line splits
- an x87 FPU instruction to convert to integer independent of the floating-point control word (FCW)
- instructions to support thread synchronization

SSE3 instructions are useful for scientific, video and multi-threaded applications.

2.8.1.5 Supplemental Streaming SIMD Extensions 3

The Supplemental Streaming SIMD Extensions 3 introduces 32 new instructions to accelerate eight types of computations on packed integers. These include:

- 12 instructions that perform horizontal addition or subtraction operations
- 6 instructions that evaluate the absolute values
- 2 instructions that perform multiply and add operations and speed up the evaluation of dot products
- 2 instructions that accelerate packed-integer multiply operations and produce integer values with scaling
- 2 instructions that perform a byte-wise, in-place shuffle according to the second shuffle control operand
- 6 instructions that negate packed integers in the destination operand if the signs of the corresponding element in the source operand is less than zero
- 2 instructions that align data from the composite of two operands

CHAPTER 3

GENERAL OPTIMIZATION GUIDELINES

This chapter discusses general optimization techniques that can improve the performance of applications running on processors based on Intel Core microarchitecture, Intel NetBurst microarchitecture, Intel Core Duo, Intel Core Solo, and Pentium M processors. These techniques take advantage of microarchitectural described in Chapter 2, “Intel® 64 and IA-32 Processor Architectures.” Optimization guidelines focusing on Intel dual-core processors, Hyper-Threading Technology and 64-bit mode applications are discussed in Chapter 8, “Multi-Core and Hyper-Threading Technology,” and Chapter 9, “64-bit Mode Coding Guidelines.”

Practices that optimize performance focus on three areas:

- tools and techniques for code generation
- analysis of the performance characteristics of the workload and its interaction with microarchitectural sub-systems
- tuning code to the target microarchitecture (or families of microarchitecture) to improve performance

Some hints on using tools are summarized first to simplify the first two tasks. the rest of the chapter will focus on recommendations of code generation or code tuning to the target microarchitectures.

This chapter explains optimization techniques for the Intel C++ Compiler, the Intel Fortran Compiler, and other compilers.

3.1 PERFORMANCE TOOLS

Intel offers several tools to help optimize application performance, including compilers, performance analyzer and multithreading tools.

3.1.1 Intel® C++ and Fortran Compilers

Intel compilers support multiple operating systems (Windows*, Linux*, Mac OS* and embedded). The Intel compilers optimize performance and give application developers access to advanced features:

- Flexibility to target 32-bit or 64-bit Intel processors for optimization
- Compatibility with many integrated development environments or third-party compilers.
- Automatic optimization features to take advantage of the target processor’s architecture.

GENERAL OPTIMIZATION GUIDELINES

- Automatic compiler optimization reduces the need to write different code for different processors.
- Common compiler features that are supported across Windows, Linux and Mac OS include:
 - General optimization settings
 - Cache-management features
 - Interprocedural optimization (IPO) methods
 - Profile-guided optimization (PGO) methods
 - Multithreading support
 - Floating-point arithmetic precision and consistency support
 - Compiler optimization and vectorization reports

3.1.2 General Compiler Recommendations

Generally speaking, a compiler that has been tuned for the target microarchitecture can be expected to match or outperform hand-coding. However, if performance problems are noted with the compiled code, some compilers (like Intel C++ and Fortran Compilers) allow the coder to insert intrinsics or inline assembly in order to exert control over what code is generated. If inline assembly is used, the user must verify that the code generated is of good quality and yields good performance.

Default compiler switches are targeted for common cases. An optimization may be made to the compiler default if it is beneficial for most programs. If the root cause of a performance problem is a poor choice on the part of the compiler, using different switches or compiling the targeted module with a different compiler may be the solution.

3.1.3 VTune™ Performance Analyzer

VTune uses performance monitoring hardware to collect statistics and coding information of your application and its interaction with the microarchitecture. This allows software engineers to measure performance characteristics of the workload for a given microarchitecture. VTune supports Intel Core microarchitecture, Intel NetBurst microarchitecture, Intel Core Duo, Intel Core Solo, and Pentium M processor families.

The VTune Performance Analyzer provides two kinds of feedback:

- indication of a performance improvement gained by using a specific coding recommendation or microarchitectural feature
- information on whether a change in the program has improved or degraded performance with respect to a particular metric

The VTune Performance Analyzer also provides measures for a number of workload characteristics, including:

- retirement throughput of instruction execution as an indication of the degree of extractable instruction-level parallelism in the workload
- data traffic locality as an indication of the stress point of the cache and memory hierarchy
- data traffic parallelism as an indication of the degree of effectiveness of amortization of data access latency

NOTE

Improving performance in one part of the machine does not necessarily bring significant gains to overall performance. It is possible to degrade overall performance by improving performance for some particular metric.

Where appropriate, coding recommendations in this chapter include descriptions of the VTune Performance Analyzer events that provide measurable data on the performance gain achieved by following the recommendations. For more on using the VTune analyzer, refer to the application's online help.

3.2 PROCESSOR PERSPECTIVES

Many coding recommendations for Intel Core microarchitecture work well across Pentium M, Intel Core Solo, Intel Core Duo processors and processors based on Intel NetBurst microarchitecture. However, there are situations where a recommendation may benefit one microarchitecture more than another. Some of these are:

- Instruction decode throughput is important for processors based on Intel Core microarchitecture (Pentium M, Intel Core Solo, and Intel Core Duo processors) but less important for processors based on Intel NetBurst microarchitecture.
- Generating code with a 4-1-1 template (instruction with four μ ops followed by two instructions with one μ op each) helps the Pentium M processor.

Intel Core Solo and Intel Core Duo processors have an enhanced front end that is less sensitive to the 4-1-1 template. Processors based on Intel Core microarchitecture have 4 decoders and employ micro-fusion and macro-fusion so that each of three simple decoders are not restricted to handling simple instructions consisting of one μ op.

Taking advantage of micro-fusion will increase decoder throughput across Intel Core Solo, Intel Core Duo and Intel Core2 Duo processors. Taking advantage of macro-fusion can improve decoder throughput further on Intel Core 2 Duo processor family.

GENERAL OPTIMIZATION GUIDELINES

- On processors based on Intel NetBurst microarchitecture, the code size limit of interest is imposed by the trace cache. On Pentium M processors, the code size limit is governed by the instruction cache.
- Dependencies for partial register writes incur large penalties when using the Pentium M processor (this applies to processors with CPUID signature family 6, model 9). On Pentium 4, Intel Xeon processors, Pentium M processor (with CPUID signature family 6, model 13), such penalties are relieved by artificial dependencies between each partial register write. Intel Core Solo, Intel Core Duo processors and processors based on Intel Core microarchitecture can experience minor delays due to partial register stalls. To avoid false dependences from partial register updates, use full register updates and extended moves.
- Use appropriate instructions that support dependence-breaking (PXOR, SUB, XOR instructions). Dependence-breaking support for XORPS is available in Intel Core Solo, Intel Core Duo processors and processors based on Intel Core microarchitecture.
- Floating point register stack exchange instructions are slightly more expensive due to issue restrictions in processors based on Intel NetBurst microarchitecture.
- Hardware prefetching can reduce the effective memory latency for data and instruction accesses in general. But different microarchitectures may require some custom modifications to adapt to the specific hardware prefetch implementation of each microarchitecture.
- On processors based on Intel NetBurst microarchitecture, latencies of some instructions are relatively significant (including shifts, rotates, integer multiplies, and moves from memory with sign extension). Use care when using the LEA instruction. See Section 3.5.1.3, “Using LEA.”
- On processors based on Intel NetBurst microarchitecture, there may be a penalty when instructions with immediates requiring more than 16-bit signed representation are placed next to other instructions that use immediates.

3.2.1 CPUID Dispatch Strategy and Compatible Code Strategy

When optimum performance on all processor generations is desired, applications can take advantage of the CPUID instruction to identify the processor generation and integrate processor-specific instructions into the source code. The Intel C++ Compiler supports the integration of different versions of the code for different target processors. The selection of which code to execute at runtime is made based on the CPU identifiers. Binary code targeted for different processor generations can be generated under the control of the programmer or by the compiler.

For applications that target multiple generations of microarchitectures, and where minimum binary code size and single code path is important, a compatible code strategy is the best. Optimizing applications using techniques developed for the Intel Core microarchitecture and combined with some for Intel NetBurst microarchitecture are likely to improve code efficiency and scalability when running on processors based on current and future generations of Intel 64 and IA-32 processors. This

compatible approach to optimization is also likely to deliver high performance on Pentium M, Intel Core Solo and Intel Core Duo processors.

3.2.2 Transparent Cache-Parameter Strategy

If the CPUID instruction supports function leaf 4, also known as deterministic cache parameter leaf, the leaf reports cache parameters for each level of the cache hierarchy in a deterministic and forward-compatible manner across Intel 64 and IA-32 processor families.

For coding techniques that rely on specific parameters of a cache level, using the deterministic cache parameter allows software to implement techniques in a way that is forward-compatible with future generations of Intel 64 and IA-32 processors, and cross-compatible with processors equipped with different cache sizes.

3.2.3 Threading Strategy and Hardware Multithreading Support

Intel 64 and IA-32 processor families offer hardware multithreading support in two forms: dual-core technology and HT Technology.

To fully harness the performance potential of hardware multithreading in current and future generations of Intel 64 and IA-32 processors, software must embrace a threaded approach in application design. At the same time, to address the widest range of installed machines, multi-threaded software should be able to run without failure on a single processor without hardware multithreading support and should achieve performance on a single logical processor that is comparable to an unthreaded implementation (if such comparison can be made). This generally requires architecting a multi-threaded application to minimize the overhead of thread synchronization. Additional guidelines on multithreading are discussed in Chapter 8, "Multicore and Hyper-Threading Technology."

3.3 CODING RULES, SUGGESTIONS AND TUNING HINTS

This section includes rules, suggestions and hints. They are targeted for engineers who are:

- modifying source code to enhance performance (user/source rules)
- writing assemblers or compilers (assembly/compiler rules)
- doing detailed performance tuning (tuning suggestions)

Coding recommendations are ranked in importance using two measures:

- Local impact (high, medium, or low) refers to a recommendation's affect on the performance of a given instance of code.
- Generality (high, medium, or low) measures how often such instances occur across all application domains. Generality may also be thought of as "frequency".

These recommendations are approximate. They can vary depending on coding style, application domain, and other factors.

The purpose of the high, medium, and low (H, M, and L) priorities is to suggest the relative level of performance gain one can expect if a recommendation is implemented.

Because it is not possible to predict the frequency of a particular code instance in applications, priority hints cannot be directly correlated to application-level performance gain. In cases in which application-level performance gain has been observed, we have provided a quantitative characterization of the gain (for information only). In cases in which the impact has been deemed inapplicable, no priority is assigned.

3.4 OPTIMIZING THE FRONT END

Optimizing the front end covers two aspects:

- Maintaining steady supply of μ ops to the execution engine — Mispredicted branches can disrupt streams of μ ops, or cause the execution engine to waste execution resources on executing streams of μ ops in the non-architected code path. Much of the tuning in this respect focuses on working with the Branch Prediction Unit. Common techniques are covered in Section 3.4.1, “Branch Prediction Optimization.”
- Supplying streams of μ ops to utilize the execution bandwidth and retirement bandwidth as much as possible — For Intel Core microarchitecture and Intel Core Duo processor family, this aspect focuses maintaining high decode throughput. In Intel NetBurst microarchitecture, this aspect focuses on keeping the Trace Cache operating in stream mode. Techniques to maximize decode throughput for Intel Core microarchitecture are covered in Section 3.4.2, “Fetch and Decode Optimization.”

3.4.1 Branch Prediction Optimization

Branch optimizations have a significant impact on performance. By understanding the flow of branches and improving their predictability, you can increase the speed of code significantly.

Optimizations that help branch prediction are:

- Keep code and data on separate pages. This is very important; see Section 3.6, “Optimizing Memory Accesses,” for more information.
- Eliminate branches whenever possible.
- Arrange code to be consistent with the static branch prediction algorithm.
- Use the PAUSE instruction in spin-wait loops.
- Inline functions and pair up calls and returns.

- Unroll as necessary so that repeatedly-executed loops have sixteen or fewer iterations (unless this causes an excessive code size increase).
- Separate branches so that they occur no more frequently than every three μops where possible.

3.4.1.1 Eliminating Branches

Eliminating branches improves performance because:

- It reduces the possibility of mispredictions.
- It reduces the number of required branch target buffer (BTB) entries. Conditional branches, which are never taken, do not consume BTB resources.

There are four principal ways of eliminating branches:

- Arrange code to make basic blocks contiguous.
- Unroll loops, as discussed in Section 3.4.1.7, “Loop Unrolling.”
- Use the CMOV instruction.
- Use the SETCC instruction.

The following rules apply to branch elimination:

Assembly/Compiler Coding Rule 1. (MH impact, M generality) *Arrange code to make basic blocks contiguous and eliminate unnecessary branches.*

For the Pentium M processor, every branch counts. Even correctly predicted branches have a negative effect on the amount of useful code delivered to the processor. Also, taken branches consume space in the branch prediction structures and extra branches create pressure on the capacity of the structures.

Assembly/Compiler Coding Rule 2. (M impact, ML generality) *Use the SETCC and CMOV instructions to eliminate unpredictable conditional branches where possible. Do not do this for predictable branches. Do not use these instructions to eliminate all unpredictable conditional branches (because using these instructions will incur execution overhead due to the requirement for executing both paths of a conditional branch). In addition, converting a conditional branch to SETCC or CMOV trades off control flow dependence for data dependence and restricts the capability of the out-of-order engine. When tuning, note that all Intel 64 and IA-32 processors usually have very high branch prediction rates. Consistently mispredicted branches are generally rare. Use these instructions only if the increase in computation time is less than the expected cost of a mispredicted branch.*

Consider a line of C code that has a condition dependent upon one of the constants:

```
X = (A < B) ? CONST1 : CONST2;
```

This code conditionally compares two values, A and B. If the condition is true, X is set to CONST1; otherwise it is set to CONST2. An assembly code sequence equivalent to the above C code can contain branches that are not predictable if there are no correlation in the two values.

GENERAL OPTIMIZATION GUIDELINES

Example 3-1 shows the assembly code with unpredictable branches. The unpredictable branches can be removed with the use of the SETCC instruction. Example 3-2 shows optimized code that has no branches.

Example 3-1. Assembly Code with an Unpredictable Branch

```
    cmp a, b           ; Condition
    jbe L30            ; Conditional branch
    mov ebx, const1    ; ebx holds X
    jmp L31            ; Unconditional branch
L30:
    mov ebx, const2
L31:
```

Example 3-2. Code Optimization to Eliminate Branches

```
xor  ebx, ebx        ; Clear ebx (X in the C code)
cmp  A, B
setge bl             ; When ebx = 0 or 1
                        ; OR the complement condition
sub  ebx, 1          ; ebx=11...11 or 00...00
and  ebx, CONST3; CONST3 = CONST1-CONST2
add  ebx, CONST2; ebx=CONST1 or CONST2
```

The optimized code in Example 3-2 sets EBX to zero, then compares A and B. If A is greater than or equal to B, EBX is set to one. Then EBX is decreased and AND'd with the difference of the constant values. This sets EBX to either zero or the difference of the values. By adding CONST2 back to EBX, the correct value is written to EBX. When CONST2 is equal to zero, the last instruction can be deleted.

Another way to remove branches on Pentium II and subsequent processors is to use the CMOV and FCMOV instructions. Example 3-3 shows how to change a TEST and branch instruction sequence using CMOV to eliminate a branch. If the TEST sets the equal flag, the value in EBX will be moved to EAX. This branch is data-dependent, and is representative of an unpredictable branch.

Example 3-3. Eliminating Branch with CMOV Instruction

```

test ecx, ecx
jne 1H
mov eax, ebx
1H:
; To optimize code, combine jne and mov into one cmovcc instruction that checks the equal flag
test    ecx, ecx          ; Test the flags
cmoveq  eax, ebx         ; If the equal flag is set, move
                               ; ebx to eax- the 1H: tag no longer needed

```

The CMOV and FCMOV instructions are available on the Pentium II and subsequent processors, but not on Pentium processors and earlier IA-32 processors. Be sure to check whether a processor supports these instructions with the CPUID instruction.

3.4.1.2 Spin-Wait and Idle Loops

The Pentium 4 processor introduces a new PAUSE instruction; the instruction is architecturally a NOP on Intel 64 and IA-32 processor implementations.

To the Pentium 4 and later processors, this instruction acts as a hint that the code sequence is a spin-wait loop. Without a PAUSE instruction in such loops, the Pentium 4 processor may suffer a severe penalty when exiting the loop because the processor may detect a possible memory order violation. Inserting the PAUSE instruction significantly reduces the likelihood of a memory order violation and as a result improves performance.

In Example 3-4, the code spins until memory location A matches the value stored in the register EAX. Such code sequences are common when protecting a critical section, in producer-consumer sequences, for barriers, or other synchronization.

Example 3-4. Use of PAUSE Instruction

```

lock:  cmp eax, a
       jne loop
       ; Code in critical section:
loop:  pause
       cmp eax, a
       jne loop
       jmp lock

```

3.4.1.3 Static Prediction

Branches that do not have a history in the BTB (see Section 3.4.1, “Branch Prediction Optimization”) are predicted using a static prediction algorithm. Pentium 4,

GENERAL OPTIMIZATION GUIDELINES

Pentium M, Intel Core Solo and Intel Core Duo processors have similar static prediction algorithms that:

- predict unconditional branches to be taken
- predict indirect branches to be NOT taken

In addition, conditional branches in processors based on the Intel NetBurst microarchitecture are predicted using the following static prediction algorithm:

- predict backward conditional branches to be taken; rule is suitable for loops
- predict forward conditional branches to be NOT taken

Pentium M, Intel Core Solo and Intel Core Duo processors do not statically predict conditional branches according to the jump direction. All conditional branches are dynamically predicted, even at first appearance.

The following rule applies to static elimination.

Assembly/Compiler Coding Rule 3. (M impact, H generality) *Arrange code to be consistent with the static branch prediction algorithm: make the fall-through code following a conditional branch be the likely target for a branch with a forward target, and make the fall-through code following a conditional branch be the unlikely target for a branch with a backward target.*

Example 3-5 illustrates the static branch prediction algorithm. The body of an IF-THEN conditional is predicted.

Example 3-5. Pentium 4 Processor Static Branch Prediction Algorithm

```
//Forward condition branches not taken (fall through)
  IF<condition> {...
  ↓
  }

IF<condition> {...
  ↓
  }

//Backward conditional branches are taken
  LOOP {...
  ↑ — }<condition>

//Unconditional branches taken
  JMP
  ----->
```

Examples 3-6 and Example 3-7 provide basic rules for a static prediction algorithm. In Example 3-6, the backward branch (JC BEGIN) is not in the BTB the first time

through; therefore, the BTB does not issue a prediction. The static predictor, however, will predict the branch to be taken, so a misprediction will not occur.

Example 3-6. Static Taken Prediction

```

Begin:  mov    eax, mem32
        and    eax, ebx
        imul   eax, edx
        shld   eax, 7
        jc     Begin

```

The first branch instruction (JC BEGIN) in Example 3-7 is a conditional forward branch. It is not in the BTB the first time through, but the static predictor will predict the branch to fall through. The static prediction algorithm correctly predicts that the CALL CONVERT instruction will be taken, even before the branch has any branch history in the BTB.

Example 3-7. Static Not-Taken Prediction

```

        mov    eax, mem32
        and    eax, ebx
        imul   eax, edx
        shld   eax, 7
        jc     Begin
        mov    eax, 0
Begin:  call   Convert

```

The Intel Core microarchitecture does not use the static prediction heuristic. However, to maintain consistency across Intel 64 and IA-32 processors, software should maintain the static prediction heuristic as the default.

3.4.1.4 Inlining, Calls and Returns

The return address stack mechanism augments the static and dynamic predictors to optimize specifically for calls and returns. It holds 16 entries, which is large enough to cover the call depth of most programs. If there is a chain of more than 16 nested calls and more than 16 returns in rapid succession, performance may degrade.

The trace cache in Intel NetBurst microarchitecture maintains branch prediction information for calls and returns. As long as the trace with the call or return remains in the trace cache and the call and return targets remain unchanged, the depth limit of the return address stack described above will not impede performance.

To enable the use of the return stack mechanism, calls and returns must be matched in pairs. If this is done, the likelihood of exceeding the stack depth in a manner that will impact performance is very low.

The following rules apply to inlining, calls, and returns.

Assembly/Compiler Coding Rule 4. (MH impact, MH generality) *Near calls must be matched with near returns, and far calls must be matched with far returns. Pushing the return address on the stack and jumping to the routine to be called is not recommended since it creates a mismatch in calls and returns.*

Calls and returns are expensive; use inlining for the following reasons:

- Parameter passing overhead can be eliminated.
- In a compiler, inlining a function exposes more opportunity for optimization.
- If the inlined routine contains branches, the additional context of the caller may improve branch prediction within the routine.
- A mispredicted branch can lead to performance penalties inside a small function that are larger than those that would occur if that function is inlined.

Assembly/Compiler Coding Rule 5. (MH impact, MH generality) *Selectively inline a function if doing so decreases code size or if the function is small and the call site is frequently executed.*

Assembly/Compiler Coding Rule 6. (H impact, H generality) *Do not inline a function if doing so increases the working set size beyond what will fit in the trace cache.*

Assembly/Compiler Coding Rule 7. (ML impact, ML generality) *If there are more than 16 nested calls and returns in rapid succession; consider transforming the program with inline to reduce the call depth.*

Assembly/Compiler Coding Rule 8. (ML impact, ML generality) *Favor inlining small functions that contain branches with poor prediction rates. If a branch misprediction results in a RETURN being prematurely predicted as taken, a performance penalty may be incurred.)*

Assembly/Compiler Coding Rule 9. (L impact, L generality) *If the last statement in a function is a call to another function, consider converting the call to a jump. This will save the call/return overhead as well as an entry in the return stack buffer.*

Assembly/Compiler Coding Rule 10. (M impact, L generality) *Do not put more than four branches in a 16-byte chunk.*

Assembly/Compiler Coding Rule 11. (M impact, L generality) *Do not put more than two end loop branches in a 16-byte chunk.*

3.4.1.5 Code Alignment

Careful arrangement of code can enhance cache and memory locality. Likely sequences of basic blocks should be laid out contiguously in memory. This may involve removing unlikely code, such as code to handle error conditions, from the sequence. See Section 3.7, "Prefetching," on optimizing the instruction prefetcher.

Assembly/Compiler Coding Rule 12. (M impact, H generality) All branch targets should be 16-byte aligned.

Assembly/Compiler Coding Rule 13. (M impact, H generality) If the body of a conditional is not likely to be executed, it should be placed in another part of the program. If it is highly unlikely to be executed and code locality is an issue, it should be placed on a different code page.

3.4.1.6 Branch Type Selection

The default predicted target for indirect branches and calls is the fall-through path. Fall-through prediction is overridden if and when a hardware prediction is available for that branch. The predicted branch target from branch prediction hardware for an indirect branch is the previously executed branch target.

The default prediction to the fall-through path is only a significant issue if no branch prediction is available, due to poor code locality or pathological branch conflict problems. For indirect calls, predicting the fall-through path is usually not an issue, since execution will likely return to the instruction after the associated return.

Placing data immediately following an indirect branch can cause a performance problem. If the data consists of all zeros, it looks like a long stream of ADDs to memory destinations and this can cause resource conflicts and slow down branch recovery. Also, data immediately following indirect branches may appear as branches to the branch predication hardware, which can branch off to execute other data pages. This can lead to subsequent self-modifying code problems.

Assembly/Compiler Coding Rule 14. (M impact, L generality) When indirect branches are present, try to put the most likely target of an indirect branch immediately following the indirect branch. Alternatively, if indirect branches are common but they cannot be predicted by branch prediction hardware, then follow the indirect branch with a UD2 instruction, which will stop the processor from decoding down the fall-through path.

Indirect branches resulting from code constructs (such as switch statements, computed GOTOs or calls through pointers) can jump to an arbitrary number of locations. If the code sequence is such that the target destination of a branch goes to the same address most of the time, then the BTB will predict accurately most of the time. Since only one taken (non-fall-through) target can be stored in the BTB, indirect branches with multiple taken targets may have lower prediction rates.

The effective number of targets stored may be increased by introducing additional conditional branches. Adding a conditional branch to a target is fruitful if:

- The branch direction is correlated with the branch history leading up to that branch; that is, not just the last target, but how it got to this branch.
- The source/target pair is common enough to warrant using the extra branch prediction capacity. This may increase the number of overall branch mispredictions, while improving the misprediction of indirect branches. The profitability is lower if the number of mispredicting branches is very large.

User/Source Coding Rule 1. (M impact, L generality) *If an indirect branch has two or more common taken targets and at least one of those targets is correlated with branch history leading up to the branch, then convert the indirect branch to a tree where one or more indirect branches are preceded by conditional branches to those targets. Apply this “peeling” procedure to the common target of an indirect branch that correlates to branch history.*

The purpose of this rule is to reduce the total number of mispredictions by enhancing the predictability of branches (even at the expense of adding more branches). The added branches must be predictable for this to be worthwhile. One reason for such predictability is a strong correlation with preceding branch history. That is, the directions taken on preceding branches are a good indicator of the direction of the branch under consideration.

Example 3-8 shows a simple example of the correlation between a target of a preceding conditional branch and a target of an indirect branch.

Example 3-8. Indirect Branch With Two Favored Targets

```
function ()
{
int n = rand();           // random integer 0 to RAND_MAX
  if (!(n & 0x0)) {       // n will be 0 half the times
    n = 0;               // updates branch history to predict taken
  }
  // indirect branches with multiple taken targets
  // may have lower prediction rates

switch (n) {
  case 0: handle_0(); break; // common target, correlated with
                             // branch history that is forward taken
  case 1: handle_1(); break; // uncommon
  case 3: handle_3(); break; // uncommon
  default: handle_other(); // common target
}
}
```

Correlation can be difficult to determine analytically, for a compiler and for an assembly language programmer. It may be fruitful to evaluate performance with and without peeling to get the best performance from a coding effort.

An example of peeling out the most favored target of an indirect branch with correlated branch history is shown in Example 3-9.

Example 3-9. A Peeling Technique to Reduce Indirect Branch Misprediction

```

function ()
{
  int n = rand();                // Random integer 0 to RAND_MAX
  if (!(n & 0x01)) THEN
    n = 0;                       // n will be 0 half the times
  if (!n) THEN
    handle_0();                  // Peel out the most common target
                                // with correlated branch history

  {
    switch (n) {
      case 1: handle_1(); break;  // Uncommon
      case 3: handle_3(); break; // Uncommon

      default: handle_other();   // Make the favored target in
                                // the fall-through path
    }
  }
}

```

3.4.1.7 Loop Unrolling

Benefits of unrolling loops are:

- Unrolling amortizes the branch overhead, since it eliminates branches and some of the code to manage induction variables.
- Unrolling allows one to aggressively schedule (or pipeline) the loop to hide latencies. This is useful if you have enough free registers to keep variables live as you stretch out the dependence chain to expose the critical path.
- Unrolling exposes the code to various other optimizations, such as removal of redundant loads, common subexpression elimination, and so on.
- The Pentium 4 processor can correctly predict the exit branch for an inner loop that has 16 or fewer iterations (if that number of iterations is predictable and there are no conditional branches in the loop). So, if the loop body size is not excessive and the probable number of iterations is known, unroll inner loops until they have a maximum of 16 iterations. With the Pentium M processor, do not unroll loops having more than 64 iterations.

The potential costs of unrolling loops are:

- Excessive unrolling or unrolling of very large loops can lead to increased code size. This can be harmful if the unrolled loop no longer fits in the trace cache (TC).
- Unrolling loops whose bodies contain branches increases demand on BTB capacity. If the number of iterations of the unrolled loop is 16 or fewer, the

branch predictor should be able to correctly predict branches in the loop body that alternate direction.

Assembly/Compiler Coding Rule 15. (H impact, M generality) *Unroll small loops until the overhead of the branch and induction variable accounts (generally) for less than 10% of the execution time of the loop.*

Assembly/Compiler Coding Rule 16. (H impact, M generality) *Avoid unrolling loops excessively; this may thrash the trace cache or instruction cache.*

Assembly/Compiler Coding Rule 17. (M impact, M generality) *Unroll loops that are frequently executed and have a predictable number of iterations to reduce the number of iterations to 16 or fewer. Do this unless it increases code size so that the working set no longer fits in the trace or instruction cache. If the loop body contains more than one conditional branch, then unroll so that the number of iterations is 16/(# conditional branches).*

Example 3-10 shows how unrolling enables other optimizations.

Example 3-10. Loop Unrolling

```
Before unrolling:
  do i = 1, 100
    if ( i mod 2 == 0 ) then a( i ) = x
      else a( i ) = y
    enddo
After unrolling
  do i = 1, 100, 2
    a( i ) = y
    a( i+1 ) = x
  enddo
```

In this example, the loop that executes 100 times assigns X to every even-numbered element and Y to every odd-numbered element. By unrolling the loop you can make assignments more efficiently, removing one branch in the loop body.

3.4.1.8 Compiler Support for Branch Prediction

Compilers generate code that improves the efficiency of branch prediction in the Pentium 4, Pentium M, Intel Core Duo processors and processors based on Intel Core microarchitecture. The Intel C++ Compiler accomplishes this by:

- keeping code and data on separate pages
- using conditional move instructions to eliminate branches
- generating code consistent with the static branch prediction algorithm
- inlining where appropriate
- unrolling if the number of iterations is predictable

With profile-guided optimization, the compiler can lay out basic blocks to eliminate branches for the most frequently executed paths of a function or at least improve their predictability. Branch prediction need not be a concern at the source level. For more information, see Intel C++ Compiler documentation.

3.4.2 Fetch and Decode Optimization

Intel Core microarchitecture provides several mechanisms to increase front end throughput. Techniques to take advantage of some of these features are discussed below.

3.4.2.1 Optimizing for Micro-fusion

An Instruction that operates on a register and a memory operand decodes into more μ ops than its corresponding register-register version. Replacing the equivalent work of the former instruction using the register-register version usually require a sequence of two instructions. The latter sequence is likely to result in reduced fetch bandwidth.

Assembly/Compiler Coding Rule 18. (ML impact, M generality) *For improving fetch/decode throughput, Give preference to memory flavor of an instruction over the register-only flavor of the same instruction, if such instruction can benefit from micro-fusion.*

The following examples are some of the types of micro-fusions that can be handled by all decoders:

- All stores to memory, including store immediate. Stores execute internally as two separate μ ops: store-address and store-data.
- All “read-modify” (load+op) instructions between register and memory, for example:


```
ADDPS  XMM9, QWORD PTR [RSP+40]
FADD   DOUBLE PTR [RDI+RSI*8]
XOR    RAX, QWORD PTR [RBP+32]
```
- All instructions of the form “load and jump,” for example:


```
JMP    [RDI+200]
RET
```
- CMP and TEST with immediate operand and memory

An Intel 64 instruction with RIP relative addressing is not micro-fused in the following cases:

- When an additional immediate is needed, for example:


```
CMP    [RIP+400], 27
MOV    [RIP+3000], 142
```
- When an RIP is needed for control flow purposes, for example:


```
JMP    [RIP+5000000]
```

In these cases, Intel Core Microarchitecture provides a 2 μop flow from decoder 0, resulting in a slight loss of decode bandwidth since 2 μop flow must be steered to decoder 0 from the decoder with which it was aligned.

RIP addressing may be common in accessing global data. Since it will not benefit from micro-fusion, compiler may consider accessing global data with other means of memory addressing.

3.4.2.2 Optimizing for Macro-fusion

Macro-fusion merges two instructions to a single μop . Intel Core Microarchitecture performs this hardware optimization under limited circumstances.

The first instruction of the macro-fused pair must be a CMP or TEST instruction. This instruction can be REG-REG, REG-IMM, or a micro-fused REG-MEM comparison. The second instruction (adjacent in the instruction stream) should be a conditional branch.

Since these pairs are common ingredient in basic iterative programming sequences, macro-fusion improves performance even on un-recompiled binaries. All of the decoders can decode one macro-fused pair per cycle, with up to three other instructions, resulting in a peak decode bandwidth of 5 instructions per cycle.

Each macro-fused instruction executes with a single dispatch. This process reduces latency, which in this case shows up as a cycle removed from branch mispredict penalty. Software also gain all other fusion benefits: increased rename and retire bandwidth, more storage for instructions in-flight, and power savings from representing more work in fewer bits.

The following list details when you can use macro-fusion:

- CMP or TEST can be fused when comparing:
 - REG-REG. For example: `CMP EAX,ECX; JZ label`
 - REG-IMM. For example: `CMP EAX,0x80; JZ label`
 - REG-MEM. For example: `CMP EAX,[ECX]; JZ label`
 - MEM-REG. For example: `CMP [EAX],ECX; JZ label`
- TEST can fused with all conditional jumps.
- CMP can be fused with only the following conditional jumps. These conditional jumps check carry flag (CF) or zero flag (ZF). `jump`. The list of macro-fusion-capable conditional jumps are:

- JA or JNBE
- JAE or JNB or JNC
- JE or JZ
- JNA or JBE
- JNAE or JC or JB
- JNE or JNZ

CMP and TEST can not be fused when comparing MEM-IMM (e.g. CMP [EAX],0x80; JZ label). Macro-fusion is not supported in 64-bit mode.

Assembly/Compiler Coding Rule 19. (M impact, ML generality) *Employ macro-fusion where possible using instruction pairs that support macro-fusion. Prefer TEST over CMP if possible. Use unsigned variables and unsigned jumps when possible. Try to logically verify that a variable is non-negative at the time of comparison. Avoid CMP or TEST of MEM-IMM flavor when possible. However, do not add other instructions to avoid using the MEM-IMM flavor.*

Example 3-11. Macro-fusion, Unsigned Iteration Count

	Without Macro-fusion	With Macro-fusion
C code	for (int ¹ i = 0; i < 1000; i++) a++;	for (unsigned int ² i = 0; i < 1000; i++) a++;
Disassembly	for (int i = 0; i < 1000; i++) mov dword ptr [i], 0 jmp First Loop: mov eax, dword ptr [i] add eax, 1 mov dword ptr [i], eax First: cmp dword ptr [i], 3E8H ³ jge End a++; mov eax, dword ptr [a] addq eax, 1 mov dword ptr [a], eax jmp Loop End:	for (unsigned int i = 0; i < 1000; i++) mov dword ptr [i], 0 jmp First Loop: mov eax, dword ptr [i] add eax, 1 mov dword ptr [i], eax First: cmp eax, 3E8H ⁴ jae End a++; mov eax, dword ptr [a] add eax, 1 mov dword ptr [a], eax jmp Loop End:

NOTES:

1. Signed iteration count inhibits macro-fusion
2. Unsigned iteration count is compatible with macro-fusion
3. CMP MEM-IMM, JGE inhibit macro-fusion
4. CMP REG-IMM, JAE permits macro-fusion

Example 3-12. Macro-fusion, If Statement

	Without Macro-fusion	With Macro-fusion
C code	<pre>int¹ a = 7; if (a < 77) a++; else a--;</pre>	<pre>unsigned int² a = 7; if (a < 77) a++; else a--;</pre>
Disassembly	<pre>int a = 7; mov dword ptr [a], 7 if (a < 77) cmp dword ptr [a], 4DH³ jge Dec a++; mov eax, dword ptr [a] add eax, 1 mov dword ptr [a], eax else jmp End a--; Dec: mov eax, dword ptr [a] sub eax, 1 mov dword ptr [a], eax End::</pre>	<pre>unsigned int a = 7; mov dword ptr [a], 7 if (a < 77) mov eax, dword ptr [a] cmp eax, 4DH jae Dec a++; add eax, 1 mov dword ptr [a], eax else jmp End a--; Dec: sub eax, 1 mov dword ptr [a], eax End::</pre>

NOTES:

1. Signed iteration count inhibits macro-fusion
2. Unsigned iteration count is compatible with macro-fusion
3. CMP MEM-IMM, JGE inhibit macro-fusion

Assembly/Compiler Coding Rule 20. (M impact, ML generality) Software can enable macro fusion when it can be logically determined that a variable is non-negative at the time of comparison; use TEST appropriately to enable macro-fusion when comparing a variable with 0.

Example 3-13. Macro-fusion, Signed Variable

Without Macro-fusion		With Macro-fusion	
test	ecx, ecx	test	ecx, ecx
jle	OutSideTheIF	jle	OutSideTheIF
cmp	ecx, 64H	cmp	ecx, 64H
jge	OutSideTheIF	jae	OutSideTheIF
<IF BLOCK CODE>		<IF BLOCK CODE>	
OutSideTheIF:		OutSideTheIF:	

For either signed or unsigned variable 'a'; "CMP a,0" and "TEST a,a" produce the same result as far as the flags are concerned. Since TEST can be macro-fused more often, software can use "TEST a,a" to replace "CMP a,0" for the purpose of enabling macro-fusion.

Example 3-14. Macro-fusion, Signed Comparison

C Code	Without Macro-fusion	With Macro-fusion
if (a == 0)	cmp a, 0 jne lbl ... lbl:	test a, a jne lbl ... lbl:
if (a >= 0)	cmp a, 0 jl lbl; ... lbl:	test a, a jl lbl ... lbl:

3.4.2.3 Length-Changing Prefixes (LCP)

The length of an instruction can be up to 15 bytes in length. Some prefixes can dynamically change the length of an instruction that the decoder must recognize. Typically, the pre-decode unit will estimate the length of an instruction in the byte stream assuming the absence of LCP. When the predecoder encounters an LCP in the fetch line, it must use a slower length decoding algorithm. With the slower length decoding algorithm, the predecoder decodes the fetch in 6 cycles, instead of the usual 1 cycle. Normal queuing throughout of the machine pipeline generally cannot hide LCP penalties.

The prefixes that can dynamically change the length of a instruction include:

- operand size prefix (0x66)
- address size prefix (0x67)

GENERAL OPTIMIZATION GUIDELINES

The instruction `MOV DX, 01234h` is subject to LCP stalls in processors based on Intel Core microarchitecture, and in Intel Core Duo and Intel Core Solo processors. Instructions that contain `imm16` as part of their fixed encoding but do not require LCP to change the immediate size are not subject to LCP stalls. The REX prefix (4xh) in 64-bit mode can change the size of two classes of instruction, but does not cause an LCP penalty.

If the LCP stall happens in a tight loop, it can cause significant performance degradation. When decoding is not a bottleneck, as in floating-point heavy code, isolated LCP stalls usually do not cause performance degradation.

Assembly/Compiler Coding Rule 21. (MH impact, MH generality) Favor generating code using `imm8` or `imm32` values instead of `imm16` values.

If `imm16` is needed, load equivalent `imm32` into a register and use the word value in the register instead.

Double LCP Stalls

Instructions that are subject to LCP stalls and cross a 16-byte fetch line boundary can cause the LCP stall to trigger twice. The following alignment situations can cause LCP stalls to trigger twice:

- An instruction is encoded with a `MODR/M` and `SIB` byte, and the fetch line boundary crossing is between the `MODR/M` and the `SIB` bytes.
- An instruction starts at offset 13 of a fetch line references a memory location using register and immediate byte offset addressing mode.

The first stall is for the 1st fetch line, and the 2nd stall is for the 2nd fetch line. A double LCP stall causes a decode penalty of 11 cycles.

The following examples cause LCP stall once, regardless of their fetch-line location of the first byte of the instruction:

```
ADD DX, 01234H
ADD word ptr [EDX], 01234H
ADD word ptr 012345678H[EDX], 01234H
ADD word ptr [012345678H], 01234H
```

The following instructions cause a double LCP stall when starting at offset 13 of a fetch line:

```
ADD word ptr [EDX+ESI], 01234H
ADD word ptr 012H[EDX], 01234H
ADD word ptr 012345678H[EDX+ESI], 01234H
```

To avoid double LCP stalls, do not use instructions subject to LCP stalls that use `SIB` byte encoding or addressing mode with byte displacement.

False LCP Stalls

False LCP stalls have the same characteristics as LCP stalls, but occur on instructions that do not have any `imm16` value.

False LCP stalls occur when (a) instructions with LCP that are encoded using the F7 opcodes, and (b) are located at offset 14 of a fetch line. These instructions are not, neg, div, idiv, mul, and imul. False LCP experiences delay because the instruction length decoder can not determine the length of the instruction before the next fetch line, which holds the exact opcode of the instruction in its MODR/M byte.

The following techniques can help avoid false LCP stalls:

- Upcast all short operations from the F7 group of instructions to long, using the full 32 bit version.
- Ensure that the F7 opcode never starts at offset 14 of a fetch line.

Assembly/Compiler Coding Rule 22. (M impact, ML generality) *Ensure instructions using 0xF7 opcode byte does not start at offset 14 of a fetch line; and avoid using these instruction to operate on 16-bit data, upcast short data to 32 bits.*

Example 3-15. Avoiding False LCP Delays with 0xF7 Group Instructions

A Sequence Causing Delay in the Decoder	Alternate Sequence to Avoid Delay
neg word ptr a	movsx eax, word ptr a neg eax mov word ptr a, AX

3.4.2.4 Optimizing the Loop Stream Detector (LSD)

Loops that fit the following criteria are detected by the LSD and replayed from the instruction queue:

- Must be less than or equal to four 16-byte fetches.
- Must be less than or equal to 18 instructions.
- Can contain no more than four taken branches and none of them can be a RET.
- Should usually have more than 64 iterations.

Many calculation-intensive loops, searches and software string moves match these characteristics. These loops exceed the BPU prediction capacity and always terminate in a branch misprediction.

Assembly/Compiler Coding Rule 23. (MH impact, MH generality) *Break up a loop long sequence of instructions into loops of shorter instruction blocks of no more than 18 instructions.*

Assembly/Compiler Coding Rule 24. (MH impact, M generality) *Avoid unrolling loops containing LCP stalls, if the unrolled block exceeds 18 instructions.*

3.4.2.5 Scheduling Rules for the Pentium 4 Processor Decoder

Processors based on Intel NetBurst microarchitecture have a single decoder that can decode instructions at the maximum rate of one instruction per clock. Complex instructions must enlist the help of the microcode ROM.

Because μ ops are delivered from the trace cache in the common cases, decoding rules and code alignment are not required.

3.4.2.6 Scheduling Rules for the Pentium M Processor Decoder

The Pentium M processor has three decoders, but the decoding rules to supply μ ops at high bandwidth are less stringent than those of the Pentium III processor. This provides an opportunity to build a front-end tracker in the compiler and try to schedule instructions correctly. The decoder limitations are:

- The first decoder is capable of decoding one macroinstruction made up of four or fewer μ ops in each clock cycle. It can handle any number of bytes up to the maximum of 15. Multiple prefix instructions require additional cycles.
- The two additional decoders can each decode one macroinstruction per clock cycle (assuming the instruction is one μ op up to seven bytes in length).
- Instructions composed of more than four μ ops take multiple cycles to decode.

Assembly/Compiler Coding Rule 25. (M impact, M generality) *Avoid putting explicit references to ESP in a sequence of stack operations (POP, PUSH, CALL, RET).*

3.4.2.7 Other Decoding Guidelines

Assembly/Compiler Coding Rule 26. (ML impact, L generality) *Use simple instructions that are less than eight bytes in length.*

Assembly/Compiler Coding Rule 27. (M impact, MH generality) *Avoid using prefixes to change the size of immediate and displacement.*

Long instructions (more than seven bytes) limit the number of decoded instructions per cycle on the Pentium M processor. Each prefix adds one byte to the length of instruction, possibly limiting the decoder's throughput. In addition, multiple prefixes can only be decoded by the first decoder. These prefixes also incur a delay when decoded. If multiple prefixes or a prefix that changes the size of an immediate or displacement cannot be avoided, schedule them behind instructions that stall the pipe for some other reason.

3.5 OPTIMIZING THE EXECUTION CORE

The superscalar, out-of-order execution core(s) in recent generations of microarchitectures contain multiple execution hardware resources that can execute multiple μ ops in parallel. These resources generally ensure that μ ops execute efficiently and

proceed with fixed latencies. General guidelines to make use of the available parallelism are:

- Follow the rules (see Section 3.4) to maximize useful decode bandwidth and front end throughput. These rules include favouring single μop instructions and taking advantage of micro-fusion, Stack pointer tracker and macro-fusion.
- Maximize rename bandwidth. Guidelines are discussed in this section and include properly dealing with partial registers, ROB read ports and instructions which causes side-effects on flags.
- Scheduling recommendations on sequences of instructions so that multiple dependency chains are alive in the reservation station (RS) simultaneously, thus ensuring that your code utilizes maximum parallelism.
- Avoid hazards, minimize delays that may occur in the execution core, allowing the dispatched μops to make progress and be ready for retirement quickly.

3.5.1 Instruction Selection

Some execution units are not pipelined, this means that μops cannot be dispatched in consecutive cycles and the throughput is less than one per cycle.

It is generally a good starting point to select instructions by considering the number of μops associated with each instruction, favoring in the order of: single- μop instructions, simple instruction with less than 4 μops , and last instruction requiring microsequencer ROM (μops which are executed out of the microsequencer involve extra overhead).

Assembly/Compiler Coding Rule 28. (M impact, H generality) *Favor single-micro-operation instructions. Also favor instruction with shorter latencies.*

A compiler may be already doing a good job on instruction selection. If so, user intervention usually is not necessary.

Assembly/Compiler Coding Rule 29. (M impact, L generality) *Avoid prefixes, especially multiple non-OF-prefixed opcodes.*

Assembly/Compiler Coding Rule 30. (M impact, L generality) *Do not use many segment registers.*

On the Pentium M processor, there is only one level of renaming of segment registers.

Assembly/Compiler Coding Rule 31. (ML impact, M generality) *Avoid using complex instructions (for example, enter, leave, or loop) that have more than four μops and require multiple cycles to decode. Use sequences of simple instructions instead.*

Complex instructions may save architectural registers, but incur a penalty of 4 μops to set up parameters for the microsequencer ROM in Intel NetBurst microarchitecture.

Theoretically, arranging instructions sequence to match the 4-1-1-1 template applies to processors based on Intel Core microarchitecture. However, with macro-fusion

and micro-fusion capabilities in the front end, attempts to schedule instruction sequences using the 4-1-1-1 template will likely provide diminishing returns.

Instead, software should follow these additional decoder guidelines:

- If you need to use multiple μop , non-microsequenced instructions, try to separate by a few single μop instructions. The following instructions are examples of multiple- μop instruction not requiring micro-sequencer:
 - ADC/SBB
 - CMOVcc
 - Read-modify-write instructions
- If a series of multiple- μop instructions cannot be separated, try breaking the series into a different equivalent instruction sequence. For example, a series of read-modify-write instructions may go faster if sequenced as a series of read-modify + store instructions. This strategy could improve performance even if the new code sequence is larger than the original one.

3.5.1.1 Use of the INC and DEC Instructions

The INC and DEC instructions modify only a subset of the bits in the flag register. This creates a dependence on all previous writes of the flag register. This is especially problematic when these instructions are on the critical path because they are used to change an address for a load on which many other instructions depend.

Assembly/Compiler Coding Rule 32. (M impact, H generality) INC and DEC instructions should be replaced with ADD or SUB instructions, because ADD and SUB overwrite all flags, whereas INC and DEC do not, therefore creating false dependencies on earlier instructions that set the flags.

3.5.1.2 Integer Divide

Typically, an integer divide is preceded by a CWD or CDQ instruction. Depending on the operand size, divide instructions use DX:AX or EDX:EAX for the dividend. The CWD or CDQ instructions sign-extend AX or EAX into DX or EDX, respectively. These instructions have denser encoding than a shift and move would be, but they generate the same number of micro-ops. If AX or EAX is known to be positive, replace these instructions with:

```
xor dx, dx
```

or

```
xor edx, edx
```

3.5.1.3 Using LEA

In some cases with processor based on Intel NetBurst microarchitecture, the LEA instruction or a sequence of LEA, ADD, SUB and SHIFT instructions can replace

constant multiply instructions. The LEA instruction can also be used as a multiple operand addition instruction, for example:

```
LEA ECX, [EAX + EBX + 4 + A]
```

Using LEA in this way may avoid register usage by not tying up registers for operands of arithmetic instructions. This use may also save code space.

If the LEA instruction uses a shift by a constant amount then the latency of the sequence of `µops` is shorter if adds are used instead of a shift, and the LEA instruction may be replaced with an appropriate sequence of `µops`. This, however, increases the total number of `µops`, leading to a trade-off.

Assembly/Compiler Coding Rule 33. (ML impact, L generality) *If an LEA instruction using the scaled index is on the critical path, a sequence with ADDs may be better. If code density and bandwidth out of the trace cache are the critical factor, then use the LEA instruction.*

3.5.1.4 Using SHIFT and ROTATE

The SHIFT and ROTATE instructions have a longer latency on processor with a CPUID signature corresponding to family 15 and model encoding of 0, 1, or 2. The latency of a sequence of adds will be shorter for left shifts of three or less. Fixed and variable SHIFTS have the same latency.

The rotate by immediate and rotate by register instructions are more expensive than a shift. The rotate by 1 instruction has the same latency as a shift.

Assembly/Compiler Coding Rule 34. (ML impact, L generality) *Avoid ROTATE by register or ROTATE by immediate instructions. If possible, replace with a ROTATE by 1 instruction.*

3.5.1.5 Address Calculations

For computing addresses, use the addressing modes rather than general-purpose computations. Internally, memory reference instructions can have four operands:

- Relocatable load-time constant
- Immediate constant
- Base register
- Scaled index register

In the segmented model, a segment register may constitute an additional operand in the linear address calculation. In many cases, several integer instructions can be eliminated by fully using the operands of memory references.

3.5.1.6 Clearing Registers and Dependency Breaking Idioms

Code sequences that modifies partial register can experience some delay in its dependency chain, but can be avoided by using dependency breaking idioms.

GENERAL OPTIMIZATION GUIDELINES

In processors based on Intel Core microarchitecture, a number of instructions can help clear execution dependency when software uses these instruction to clear register content to zero. The instructions include

```
XOR REG, REG
SUB REG, REG
XORPS/PD XMMREG, XMMREG
PXOR XMMREG, XMMREG
SUBPS/PD XMMREG, XMMREG
PSUBB/W/D/Q XMMREG, XMMREG
```

In Intel Core Solo and Intel Core Duo processors, the XOR, SUB, XORPS, or PXOR instructions can be used to clear execution dependencies on the zero evaluation of the destination register.

The Pentium 4 processor provides special support for XOR, SUB, and PXOR operations when executed within the same register. This recognizes that clearing a register does not depend on the old value of the register. The XORPS and XORPD instructions do not have this special support. They cannot be used to break dependence chains.

Assembly/Compiler Coding Rule 35. (M impact, ML generality) Use dependency-breaking-idiom instructions to set a register to 0, or to break a false dependence chain resulting from re-use of registers. In contexts where the condition codes must be preserved, move 0 into the register instead. This requires more code space than using XOR and SUB, but avoids setting the condition codes.

Example 3-16 of using pxor to break dependency idiom on a XMM register when performing negation on the elements of an array.

```
int a[4096], b[4096], c[4096];
For ( int i = 0; i < 4096; i++ )
    C[i] = - ( a[i] + b[i] );
```

Example 3-16. Clearing Register to Break Dependency While Negating Array Elements

Negation (-x = (x XOR (-1)) - (-1)) without breaking dependency	Negation (-x = 0 -x) using PXOR reg, reg breaks dependency
<pre>Lea eax, a lea ecx, b lea edi, c xor edx, edx movdqa xmm7, allone lp:</pre>	<pre>lea eax, a lea ecx, b lea edi, c xor edx, edx lp:</pre>

Example 3-16. Clearing Register to Break Dependency While Negating Array Elements

Negation (-x = (x XOR (-1)) - (-1) without breaking dependency	Negation (-x = 0 -x) using PXOR reg, reg breaks dependency
<pre>movdqa xmm0, [eax + edx] padd xmm0, [ecx + edx] pxor xmm0, xmm7 psubd xmm0, xmm7 movdqa [edi + edx], xmm0 add edx, 16 cmp edx, 4096 jl lp</pre>	<pre>movdqa xmm0, [eax + edx] padd xmm0, [ecx + edx] pxor xmm7, xmm7 psubd xmm7, xmm0 movdqa [edi + edx], xmm7 add edx, 16 cmp edx, 4096 jl lp</pre>

Assembly/Compiler Coding Rule 36. (M impact, MH generality) Break dependences on portions of registers between instructions by operating on 32-bit registers instead of partial registers. For moves, this can be accomplished with 32-bit moves or by using MOVZX.

On Pentium M processors, the MOVSX and MOVZX instructions both take a single μop , whether they move from a register or memory. On Pentium 4 processors, the MOVSX takes an additional μop . This is likely to cause less delay than the partial register update problem mentioned above, but the performance gain may vary. If the additional μop is a critical problem, MOVSX can sometimes be used as alternative.

Sometimes sign-extended semantics can be maintained by zero-extending operands. For example, the C code in the following statements does not need sign extension, nor does it need prefixes for operand size overrides:

```
static short INT a, b;
IF (a == b) {
    ...
}
```

Code for comparing these 16-bit operands might be:

```
MOVZW  EAX, [a]
MOVZW  EBX, [b]
CMP    EAX, EBX
```

These circumstances tend to be common. However, the technique will not work if the compare is for greater than, less than, greater than or equal, and so on, or if the values in eax or ebx are to be used in another operation where sign extension is required.

Assembly/Compiler Coding Rule 37. (M impact, M generality) Try to use zero extension or operate on 32-bit operands instead of using moves with sign extension.

The trace cache can be packed more tightly when instructions with operands that can only be represented as 32 bits are not adjacent.

Assembly/Compiler Coding Rule 38. (ML impact, L generality) Avoid placing instructions that use 32-bit immediates which cannot be encoded as sign-extended 16-bit immediates near each other. Try to schedule μ ops that have no immediate immediately before or after μ ops with 32-bit immediates.

3.5.1.7 Compares

Use TEST when comparing a value in a register with zero. TEST essentially ANDs operands together without writing to a destination register. TEST is preferred over AND because AND produces an extra result register. TEST is better than `CMP ..., 0` because the instruction size is smaller.

Use TEST when comparing the result of a logical AND with an immediate constant for equality or inequality if the register is EAX for cases such as:

```
IF (AVAR & 8) { }
```

The TEST instruction can also be used to detect rollover of modulo of a power of 2. For example, the C code:

```
IF ((AVAR % 16) == 0) { }
```

can be implemented using:

```
TEST    EAX, 0x0F
JNZ     AfterIf
```

Using the TEST instruction between the instruction that may modify part of the flag register and the instruction that uses the flag register can also help prevent partial flag register stall.

Assembly/Compiler Coding Rule 39. (ML impact, M generality) Use the TEST instruction instead of AND when the result of the logical AND is not used. This saves μ ops in execution. Use a TEST if a register with itself instead of a CMP of the register to zero, this saves the need to encode the zero and saves encoding space. Avoid comparing a constant to a memory operand. It is preferable to load the memory operand and compare the constant to a register.

Often a produced value must be compared with zero, and then used in a branch. Because most Intel architecture instructions set the condition codes as part of their execution, the compare instruction may be eliminated. Thus the operation can be tested directly by a JCC instruction. The notable exceptions are MOV and LEA. In these cases, use TEST.

Assembly/Compiler Coding Rule 40. (ML impact, M generality) *Eliminate unnecessary compare with zero instructions by using the appropriate conditional jump instruction when the flags are already set by a preceding arithmetic instruction. If necessary, use a TEST instruction instead of a compare. Be certain that any code transformations made do not introduce problems with overflow.*

3.5.1.8 Using NOPs

Code generators generate a no-operation (NOP) to align instructions. Examples of NOPs of different lengths in 32-bit mode are shown below:

1-byte: XCHG EAX, EAX

2-byte: MOV REG, REG

3-byte: LEA REG, 0 (REG) (8-bit displacement)

4-byte: NOP DWORD PTR [EAX + 0] (8-bit displacement)

5-byte: NOP DWORD PTR [EAX + EAX*1 + 0] (8-bit displacement)

6-byte: LEA REG, 0 (REG) (32-bit displacement)

7-byte: NOP DWORD PTR [EAX + 0] (32-bit displacement)

8-byte: NOP DWORD PTR [EAX + EAX*1 + 0] (32-bit displacement)

9-byte: NOP WORD PTR [EAX + EAX*1 + 0] (32-bit displacement)

These are all true NOPs, having no effect on the state of the machine except to advance the EIP. Because NOPs require hardware resources to decode and execute, use the fewest number to achieve the desired padding.

The one byte NOP: [XCHG EAX,EAX] has special hardware support. Although it still consumes a μop and its accompanying resources, the dependence upon the old value of EAX is removed. This μop can be executed at the earliest possible opportunity, reducing the number of outstanding instructions and is the lowest cost NOP.

The other NOPs have no special hardware support. Their input and output registers are interpreted by the hardware. Therefore, a code generator should arrange to use the register containing the oldest value as input, so that the NOP will dispatch and release RS resources at the earliest possible opportunity.

Try to observe the following NOP generation priority:

- Select the smallest number of NOPs and pseudo-NOPs to provide the desired padding.
- Select NOPs that are least likely to execute on slower execution unit clusters.
- Select the register arguments of NOPs to reduce dependencies.

3.5.1.9 Mixing SIMD Data Types

Previous microarchitectures (before Intel Core microarchitecture) do not have explicit restrictions on mixing integer and floating-point (FP) operations on XMM registers. For Intel Core microarchitecture, mixing integer and floating-point opera-

tions on the content of an XMM register can degrade performance. Software should avoid mixed-use of integer/FP operation on XMM registers. Specifically,

- Use SIMD integer operations to feed SIMD integer operations. Use PXOR for idiom.
- Use SIMD floating point operations to feed SIMD floating point operations. Use XORPS for idiom.
- When floating point operations are bitwise equivalent, use PS data type instead of PD data type. MOVAPS and MOVAPD do the same thing, but MOVAPS takes one less byte to encode the instruction.

3.5.1.10 Spill Scheduling

The spill scheduling algorithm used by a code generator will be impacted by the memory subsystem. A spill scheduling algorithm is an algorithm that selects what values to spill to memory when there are too many live values to fit in registers. Consider the code in Example 3-17, where it is necessary to spill either A, B, or C.

Example 3-17. Spill Scheduling Code

```
LOOP
  C := ...
  B := ...
  A := A + ...
```

For modern microarchitectures, using dependence depth information in spill scheduling is even more important than in previous processors. The loop-carried dependence in A makes it especially important that A not be spilled. Not only would a store/load be placed in the dependence chain, but there would also be a data-not-ready stall of the load, costing further cycles.

Assembly/Compiler Coding Rule 41. (H impact, MH generality) *For small loops, placing loop invariants in memory is better than spilling loop-carried dependencies.*

A possibly counter-intuitive result is that in such a situation it is better to put loop invariants in memory than in registers, since loop invariants never have a load blocked by store data that is not ready.

3.5.2 Avoiding Stalls in Execution Core

Although the design of the execution core is optimized to make common cases executes quickly. A μop may encounter various hazards, delays, or stalls while making forward progress from the front end to the ROB and RS. The significant cases are:

- ROB Read Port Stalls

- Partial Register Reference Stalls
- Partial Updates to XMM Register Stalls
- Partial Flag Register Reference Stalls

3.5.2.1 ROB Read Port Stalls

As a μop is renamed, it determines whether its source operands have executed and been written to the reorder buffer (ROB), or whether they will be captured “in flight” in the RS or in the bypass network. Typically, the great majority of source operands are found to be “in flight” during renaming. Those that have been written back to the ROB are read through a set of read ports.

Since the Intel Core Microarchitecture is optimized for the common case where the operands are “in flight”, it does not provide a full set of read ports to enable all renamed μops to read all sources from the ROB in the same cycle.

When not all sources can be read, a μop can stall in the rename stage until it can get access to enough ROB read ports to complete renaming the μop . This stall is usually short-lived. Typically, a μop will complete renaming in the next cycle, but it appears to the application as a loss of rename bandwidth.

Some of the software-visible situations that can cause ROB read port stalls include:

- Registers that have become cold and require a ROB read port because execution units are doing other independent calculations.
- Constants inside registers
- Pointer and index registers

In rare cases, ROB read port stalls may lead to more significant performance degradations. There are a couple of heuristics that can help prevent over-subscribing the ROB read ports:

- Keep common register usage clustered together. Multiple references to the same written-back register can be “folded” inside the out of order execution core.
- Keep dependency chains intact. This practice ensures that the registers will not have been written back when the new micro-ops are written to the RS.

These two scheduling heuristics may conflict with other more common scheduling heuristics. To reduce demand on the ROB read port, use these two heuristics only if both the following situations are met:

- short latency operations
- indications of actual ROB read port stalls can be confirmed by measurements of the performance event (the relevant event is `RAT_STALLS.ROB_READ_PORT`, see Appendix A of the *Intel® 64 and IA-32 Architectures Software Developer’s Manual, Volume 3B*)

If the code has a long dependency chain, these two heuristics should not be used because they can cause the RS to fill, causing damage that outweighs the positive effects of reducing demands on the ROB read port.

3.5.2.2 Bypass between Execution Domains

Floating point (FP) loads have an extra cycle of latency. Moves between FP and SIMD stacks have another additional cycle of latency.

Example:

```
ADDPS XMM0, XMM1
PAND XMM0, XMM3
ADDPS XMM2, XMM0
```

The overall latency for the above calculation is 9 cycles:

- 3 cycles for each ADDPS instruction
- 1 cycle for the PAND instruction
- 1 cycle to bypass between the ADDPS floating point domain to the PAND integer domain
- 1 cycle to move the data from the PAND integer to the second floating point ADDPS domain

To avoid this penalty, you should organize code to minimize domain changes. Sometimes you cannot avoid bypasses.

Account for bypass cycles when counting the overall latency of your code. If your calculation is latency-bound, you can execute more instructions in parallel or break dependency chains to reduce total latency.

Code that has many bypass domains and is completely latency-bound may run slower on the Intel Core microarchitecture than it did on previous microarchitectures.

3.5.2.3 Partial Register Stalls

General purpose registers can be accessed in granularities of bytes, words, double-words; 64-bit mode also supports quadword granularity. Referencing a portion of a register is referred to as a partial register reference.

A partial register stall happens when an instruction refers to a register, portions of which were previously modified by other instructions. For example, partial register stalls occurs with a read to AX while previous instructions stored AL and AH, or a read to EAX while previous instruction modified AX.

The delay of a partial register stall is small in processors based on Intel Core and NetBurst microarchitectures, and in Pentium M processor (with CPUID signature family 6, model 13), Intel Core Solo, and Intel Core Duo processors. Pentium M processors (CPUID signature with family 6, model 9) and the P6 family incur a large penalty.

Note that in Intel 64 architecture, an update to the lower 32 bits of a 64 bit integer register is architecturally defined to zero extend the upper 32 bits. While this action may be logically viewed as a 32 bit update, it is really a 64 bit update (and therefore does not cause a partial stall).

Referencing partial registers frequently produces code sequences with either false or real dependencies. Example 3-18 demonstrates a series of false and real dependencies caused by referencing partial registers.

If instructions 4 and 6 (in Example 3-18) are changed to use a `movzx` instruction instead of a `mov`, then the dependences of instruction 4 on 2 (and transitively 1 before it), and instruction 6 on 5 are broken. This creates two independent chains of computation instead of one serial one.

Example 3-18. Dependencies Caused by Referencing Partial Registers

1: <code>add</code>	<code>ah, bh</code>	
2: <code>add</code>	<code>al, 3</code>	; Instruction 2 has a false dependency on 1
3: <code>mov</code>	<code>bl, al</code>	; depends on 2, but the dependence is real
4: <code>mov</code>	<code>ah, ch</code>	; Instruction 4 has a false dependency on 2
5: <code>sar</code>	<code>eax, 16</code>	; this wipes out the <code>al/ah/ax</code> part, so the ; result really doesn't depend on them programatically, ; but the processor must deal with real dependency on ; <code>al/ah/ax</code>
6: <code>mov</code>	<code>al, bl</code>	; instruction 6 has a real dependency on 5
7: <code>add</code>	<code>ah, 13</code>	; instruction 7 has a false dependency on 6
8: <code>imul</code>	<code>dl</code>	; instruction 8 has a false dependency on 7 ; because <code>al</code> is implicitly used
9: <code>mov</code>	<code>al, 17</code>	; instruction 9 has a false dependency on 7 ; and a real dependency on 8
10: <code>imul</code>	<code>cx</code>	; implicitly uses <code>ax</code> and writes to <code>dx</code> , hence ; a real dependency

Example 3-19 illustrates the use of `MOVZX` to avoid a partial register stall when packing three byte values into a register.

Example 3-19. Avoiding Partial Register Stalls in Integer Code

A Sequence Causing Partial Register Stall	Alternate Sequence Using <code>MOVZX</code> to Avoid Delay
<pre>mov al, byte ptr a[2] shl eax, 16 mov ax, word ptr a movd mm0, eax ret</pre>	<pre>movzx eax, byte ptr a[2] shl eax, 16 movzx ecx, word ptr a or eax, ecx movd mm0, eax ret</pre>

3.5.2.4 Partial XMM Register Stalls

Partial register stalls can also apply to XMM registers. The following SSE and SSE2 instructions update only part of the destination register:

```

MOVLPD XMM, MEM64
MOVLPD XMM, MEM32
MOVSS/SD between registers
    
```

Using these instructions creates a dependency chain between the unmodified part of the register and the modified part of the register. This dependency chain can cause performance loss.

Example 3-20 illustrates the use of MOVZX to avoid a partial register stall when packing three byte values into a register.

Follow these recommendations to avoid stalls from partial updates to XMM registers:

- Avoid using instructions which update only part of the XMM register.
- If a 64-bit load is needed, use the MOVSD or MOVQ instruction.
- If 2 64-bit loads are required to the same register from non continuous locations, use MOVSD/MOVHPD instead of MOVLPD/MOVHPD.
- When copying the XMM register, use the following instructions for full register copy, even if you only want to copy some of the source register data:

```

MOVAPS
MOVAPD
MOVQ
    
```

Example 3-20. Avoiding Partial Register Stalls in SIMD Code

Using movlpd for memory transactions and movsd between register copies Causing Partial Register Stall	Using movsd for memory and movapd between register copies Avoid Delay
<pre> mov edx, x mov ecx, count movlpd xmm3, _1_ movlpd xmm2, _1pt5_ align 16 </pre>	<pre> mov edx, x mov ecx, count movsd xmm3, _1_ movsd xmm2, _1pt5_ align 16 </pre>

Example 3-20. Avoiding Partial Register Stalls in SIMD Code (Contd.)

Using movlpd for memory transactions and movsd between register copies Causing Partial Register Stall	Using movsd for memory and movapd between register copies Avoid Delay
<pre>lp: movlpd xmm0, [edx] addsd xmm0, xmm3 movsd xmm1, xmm2 subsd xmm1, [edx] mulsd xmm0, xmm1 movsd [edx], xmm0 add edx, 8 dec ecx jnz lp</pre>	<pre>lp: movsd xmm0, [edx] addsd xmm0, xmm3 movapd xmm1, xmm2 subsd xmm1, [edx] mulsd xmm0, xmm1 movsd [edx], xmm0 add edx, 8 dec ecx jnz lp</pre>

3.5.2.5 Partial Flag Register Stalls

A “partial flag register stall” occurs when an instruction modifies a part of the flag register and the following instruction is dependent on the outcome of the flags. This happens most often with shift instructions (SAR, SAL, SHR, SHL). The flags are not modified in the case of a zero shift count, but the shift count is usually known only at execution time. The front end stalls until the instruction is retired.

Other instructions that can modify some part of the flag register include CMPXCHG8B, various rotate instructions, STC, and STD. An example of assembly with a partial flag register stall and alternative code without the stall is shown in Example 3-21.

In processors based on Intel Core microarchitecture, shift immediate by 1 is handled by special hardware such that it does not experience partial flag stall.

Example 3-21. Avoiding Partial Flag Register Stalls

A Sequence with Partial Flag Register Stall	Alternate Sequence without Partial Flag Register Stall
<pre>xor eax, eax mov ecx, a sar ecx, 2 setz al ;No partial register stall, ;but flag stall as sar may ;change the flags</pre>	<pre>or eax, eax mov ecx, a sar ecx, 2 test ecx, ecx setz al ;No partial reg or flag stall, ; test always updates ; all the flags</pre>

3.5.2.6 Floating Point/SIMD Operands in Intel NetBurst microarchitecture

In processors based on Intel NetBurst microarchitecture, the latency of MMX or SIMD floating point register-to-register moves is significant. This can have implications for register allocation.

Moves that write a portion of a register can introduce unwanted dependences. The MOVSD REG, REG instruction writes only the bottom 64 bits of a register, not all 128 bits. This introduces a dependence on the preceding instruction that produces the upper 64 bits (even if those bits are not longer wanted). The dependence inhibits register renaming, and thereby reduces parallelism.

Use MOVAPD as an alternative; it writes all 128 bits. Even though this instruction has a longer latency, the μ ops for MOVAPD use a different execution port and this port is more likely to be free. The change can impact performance. There may be exceptional cases where the latency matters more than the dependence or the execution port.

Assembly/Compiler Coding Rule 42. (M impact, ML generality) *Avoid introducing dependences with partial floating point register writes, e.g. from the MOVSD XMMREG1, XMMREG2 instruction. Use the MOVAPD XMMREG1, XMMREG2 instruction instead.*

The MOVSD XMMREG, MEM instruction writes all 128 bits and breaks a dependence.

The MOVUPD from memory instruction performs two 64-bit loads, but requires additional μ ops to adjust the address and combine the loads into a single register. This same functionality can be obtained using MOVSD XMMREG1, MEM; MOVSD XMMREG2, MEM+8; UNPCKLPD XMMREG1, XMMREG2, which uses fewer μ ops and can be packed into the trace cache more effectively. The latter alternative has been found to provide a several percent performance improvement in some cases. Its encoding requires more instruction bytes, but this is seldom an issue for the Pentium 4 processor. The store version of MOVUPD is complex and slow, so much so that the sequence with two MOVSD and a UNPCKHPD should always be used.

Assembly/Compiler Coding Rule 43. (ML impact, L generality) *Instead of using MOVUPD XMMREG1, MEM for a unaligned 128-bit load, use MOVSD XMMREG1, MEM; MOVSD XMMREG2, MEM+8; UNPCKLPD XMMREG1, XMMREG2. If the additional register is not available, then use MOVSD XMMREG1, MEM; MOVHPD XMMREG1, MEM+8.*

Assembly/Compiler Coding Rule 44. (M impact, ML generality) *Instead of using MOVUPD MEM, XMMREG1 for a store, use MOVSD MEM, XMMREG1; UNPCKHPD XMMREG1, XMMREG1; MOVSD MEM+8, XMMREG1 instead.*

3.5.3 Vectorization

This section provides a brief summary of optimization issues related to vectorization. There is more detail in the chapters that follow.

Vectorization is a program transformation that allows special hardware to perform the same operation on multiple data elements at the same time. Successive

processor generations have provided vector support through the MMX technology, Streaming SIMD Extensions (SSE), Streaming SIMD Extensions 2 (SSE2), Streaming SIMD Extensions 3 (SSE3) and Supplemental Streaming SIMD Extensions 3 (SSSE3).

Vectorization is a special case of SIMD, a term defined in Flynn's architecture taxonomy to denote a single instruction stream capable of operating on multiple data elements in parallel. The number of elements which can be operated on in parallel range from four single-precision floating point data elements in Streaming SIMD Extensions and two double-precision floating-point data elements in Streaming SIMD Extensions 2 to sixteen byte operations in a 128-bit register in Streaming SIMD Extensions 2. Thus, vector length ranges from 2 to 16, depending on the instruction extensions used and on the data type.

The Intel C++ Compiler supports vectorization in three ways:

- The compiler may be able to generate SIMD code without intervention from the user.
- The can user insert pragmas to help the compiler realize that it can vectorize the code.
- The user can write SIMD code explicitly using intrinsics and C++ classes.

To help enable the compiler to generate SIMD code, avoid global pointers and global variables. These issues may be less troublesome if all modules are compiled simultaneously, and whole-program optimization is used.

User/Source Coding Rule 2. (H impact, M generality) Use the smallest possible floating-point or SIMD data type, to enable more parallelism with the use of a (longer) SIMD vector. For example, use single precision instead of double precision where possible..

User/Source Coding Rule 3. (M impact, ML generality) Arrange the nesting of loops so that the innermost nesting level is free of inter-iteration dependencies. Especially avoid the case where the store of data in an earlier iteration happens lexically after the load of that data in a future iteration, something which is called a lexically backward dependence..

The integer part of the SIMD instruction set extensions cover 8-bit, 16-bit and 32-bit operands. Not all SIMD operations are supported for 32 bits, meaning that some source code will not be able to be vectorized at all unless smaller operands are used.

User/Source Coding Rule 4. (M impact, ML generality) Avoid the use of conditional branches inside loops and consider using SSE instructions to eliminate branches.

User/Source Coding Rule 5. (M impact, ML generality) Keep induction (loop) variable expressions simple.

3.5.4 Optimization of Partially Vectorizable Code

Frequently, a program contains a mixture of vectorizable code and some routines that are non-vectorizable. A common situation of partially vectorizable code involves a loop structure which include mixtures of vectorized code and unvectorizable code. This situation is depicted in Figure 3-1.

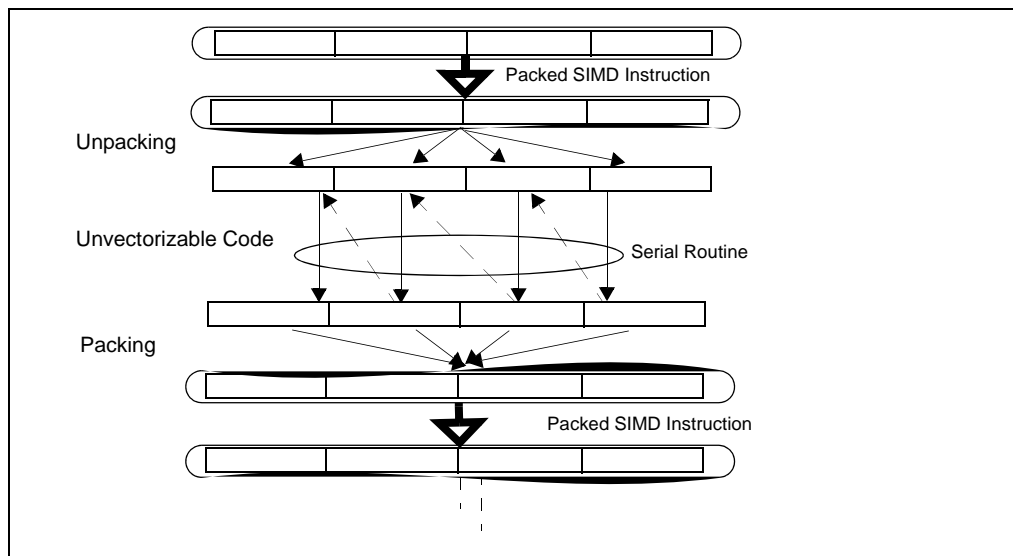


Figure 3-1. Generic Program Flow of Partially Vectorized Code

It generally consists of five stages within the loop:

- Prolog
- Unpacking vectorized data structure into individual elements
- Calling a non-vectorizable routine to process each element serially
- Packing individual result into vectorized data structure
- Epilog

This section discusses techniques that can reduce the cost and bottleneck associated with the packing/unpacking stages in these partially vectorize code.

Example 3-22 shows a reference code template that is representative of partially vectorizable coding situations that also experience performance issues. The unvectorizable portion of code is represented generically by a sequence of calling a serial function named “foo” multiple times. This generic example is referred to as “shuffle with store forwarding”, because the problem generally involves an unpacking stage that shuffles data elements between register and memory, followed by a packing stage that can experience store forwarding issue.

There are more than one useful techniques that can reduce the store-forwarding bottleneck between the serialized portion and the packing stage. The following subsections presents alternate techniques to deal with the packing, unpacking, and parameter passing to serialized function calls.

Example 3-22. Reference Code Template for Partially Vectorizable Program

```
// Prolog //////////////////////////////////////
push ebp
mov ebp, esp

// Unpacking //////////////////////////////////////
sub ebp, 32
and ebp, 0xffffffff0
movaps [ebp], xmm0

// Serial operations on components //////////
sub ebp, 4

mov eax, [ebp+4]
mov [ebp], eax
call foo
mov [ebp+16+4], eax

mov eax, [ebp+8]
mov [ebp], eax
call foo
mov [ebp+16+4+4], eax

mov eax, [ebp+12]
mov [ebp], eax
call foo
mov [ebp+16+8+4], eax

mov eax, [ebp+12+4]
mov [ebp], eax
call foo
mov [ebp+16+12+4], eax
```

Example 3-22. Reference Code Template for Partially Vectorizable Program (Contd.)

```
// Packing //////////////////////////////////////
movaps xmm0, [ebp+16+4]

// Epilog //////////////////////////////////////
pop ebp
ret
```

3.5.4.1 Alternate Packing Techniques

The packing method implemented in the reference code of Example 3-22 will experience delay as it assembles 4 doubleword result from memory into an XMM register due to store-forwarding restrictions.

Three alternate techniques for packing, using different SIMD instruction to assemble contents in XMM registers are shown in Example 3-23. All three techniques avoid store-forwarding delay by satisfying the restrictions on data sizes between a preceding store and subsequent load operations.

Example 3-23. Three Alternate Packing Methods for Avoiding Store Forwarding Difficulty

Packing Method 1	Packing Method 2	Packing Method 3
movd xmm0, [ebp+16+4]	movd xmm0, [ebp+16+4]	movd xmm0, [ebp+16+4]
movd xmm1, [ebp+16+8]	movd xmm1, [ebp+16+8]	movd xmm1, [ebp+16+8]
movd xmm2, [ebp+16+12]	movd xmm2, [ebp+16+12]	movd xmm2, [ebp+16+12]
movd xmm3, [ebp+12+16+4]	movd xmm3, [ebp+12+16+4]	movd xmm3, [ebp+12+16+4]
punpckldq xmm0, xmm1	psllq xmm3, 32	movlhps xmm1, xmm3
punpckldq xmm2, xmm3	orps xmm2, xmm3	psllq xmm1, 32
punpckldq xmm0, xmm2	psllq xmm1, 32	movlhps xmm0, xmm2
	orps xmm0, xmm1	orps xmm0, xmm1
	movlhps xmm0, xmm2	

3.5.4.2 Simplifying Result Passing

In Example 3-22, individual results were passed to the packing stage by storing to contiguous memory locations. Instead of using memory spills to pass four results, result passing may be accomplished by using either one or more registers. Using registers to simplify result passing and reduce memory spills can improve performance by varying degrees depending on the register pressure at runtime.

Example 3-24 shows the coding sequence that uses four extra XMM registers to reduce all memory spills of passing results back to the parent routine. However, software must observe the following conditions when using this technique:

- There is no register shortage.

- If the loop does not have many stores or loads but has many computations, this technique does not help performance. This technique adds work to the computational units, while the store and loads ports are idle.

Example 3-24. Using Four Registers to Reduce Memory Spills and Simplify Result Passing

```
mov eax, [ebp+4]
mov [ebp], eax
call foo
movd xmm0, eax

mov eax, [ebp+8]
mov [ebp], eax
call foo
movd xmm1, eax

mov eax, [ebp+12]
mov [ebp], eax
call foo
movd xmm2, eax

mov eax, [ebp+12+4]
mov [ebp], eax
call foo
movd xmm3, eax
```

3.5.4.3 Stack Optimization

In Example 3-22, an input parameter was copied in turn onto the stack and passed to the non-vectorizable routine for processing. The parameter passing from consecutive memory locations can be simplified by a technique shown in Example 3-25.

Example 3-25. Stack Optimization Technique to Simplify Parameter Passing

```
call foo
mov [ebp+16], eax

add ebp, 4
call foo
mov [ebp+16], eax
```

Example 3-25. Stack Optimization Technique to Simplify Parameter Passing (Contd.)

```
add ebp, 4
call foo
mov [ebp+16], eax

add ebp, 4
call foo
```

Stack Optimization can only be used when:

- The serial operations are function calls. The function “foo” is declared as: INT FOO(INT A). The parameter is passed on the stack.
- The order of operation on the components is from last to first.

Note the call to FOO and the advance of EBP when passing the vector elements to FOO one by one from last to first.

3.5.4.4 Tuning Considerations

Tuning considerations for situations represented by looping of Example 3-22 include

- Applying one of more of the following combinations:
 - choose an alternate packing technique
 - consider a technique to simply result-passing
 - consider the stack optimization technique to simplify parameter passing
- Minimizing the average number of cycles to execute one iteration of the loop
- Minimizing the per-iteration cost of the unpacking and packing operations

The speed improvement by using the techniques discussed in this section will vary, depending on the choice of combinations implemented and characteristics of the non-vectorizable routine. For example, if the routine “foo” is short (representative of tight, short loops), the per-iteration cost of unpacking/packing tend to be smaller than situations where the non-vectorizable code contain longer operation or many dependencies. This is because many iterations of short, tight loop can be in flight in the execution core, so the per-iteration cost of packing and unpacking is only partially exposed and appear to cause very little performance degradation.

Evaluation of the per-iteration cost of packing/unpacking should be carried out in a methodical manner over a selected number of test cases, where each case may implement some combination of the techniques discussed in this section. The per-iteration cost can be estimated by:

- evaluating the average cycles to execute one iteration of the test case
- evaluating the average cycles to execute one iteration of a base line loop sequence of non-vectorizable code

Example 3-26 shows the base line code sequence that can be used to estimate the average cost of a loop that executes non-vectorizable routines.

Example 3-26. Base Line Code Sequence to Estimate Loop Overhead

```

push ebp
mov ebp, esp
sub ebp, 4

mov [ebp], edi
call foo

mov [ebp], edi
call foo

mov [ebp], edi
call foo

mov [ebp], edi
call foo

add ebp, 4
pop ebp
ret

```

The average per-iteration cost of packing/unpacking can be derived from measuring the execution times of a large number of iterations by:

$$\frac{((\text{Cycles to run TestCase}) - (\text{Cycles to run equivalent baseline sequence}))}{(\text{Iteration count})}$$

For example, using a simple function that returns an input parameter (representative of tight, short loops), the per-iteration cost of packing/unpacking may range from slightly more than 7 cycles (the shuffle with store forwarding case, Example 3-22) to ~0.9 cycles (accomplished by several test cases). Across 27 test cases (consisting of one of the alternate packing methods, no result-simplification/simplification of either 1 or 4 results, no stack optimization or with stack optimization), the average per-iteration cost of packing/unpacking is about 1.7 cycles.

Generally speaking, packing method 2 and 3 (see Example 3-23) tend to be more robust than packing method 1; the optimal choice of simplifying 1 or 4 results will be affected by register pressure of the runtime and other relevant microarchitectural conditions.

Note that the numeric discussion of per-iteration cost of packing/packing is illustrative only. It will vary with test cases using a different base line code sequence and

will generally increase if the non-vectorizable routine requires longer time to execute because the number of loop iterations that can reside in flight in the execution core decreases.

3.6 OPTIMIZING MEMORY ACCESSES

This section discusses guidelines for optimizing code and data memory accesses. The most important recommendations are:

- Execute load and store operations within available execution bandwidth.
- Enable forward progress of speculative execution.
- Enable store forwarding to proceed.
- Align data, paying attention to data layout and stack alignment.
- Place code and data on separate pages.
- Enhance data locality.
- Use prefetching and cacheability control instructions.
- Enhance code locality and align branch targets.
- Take advantage of write combining.

Alignment and forwarding problems are among the most common sources of large delays on processors based on Intel NetBurst microarchitecture.

3.6.1 Load and Store Execution Bandwidth

Typically, loads and stores are the most frequent operations in a workload, up to 40% of the instructions in a workload carrying load or store intent are not uncommon. Each generation of microarchitecture provides multiple buffers to support executing load and store operations while there are instructions in flight.

Software can maximize memory performance by not exceeding the issue or buffering limitations of the machine. In the Intel Core microarchitecture, only 20 stores and 32 loads may be in flight at once. Since only one load can issue per cycle, algorithms which operate on two arrays are constrained to one operation every other cycle unless you use programming tricks to reduce the amount of memory usage.

Intel NetBurst microarchitecture has the same number of store buffers, slightly more load buffers and similar throughput of issuing load operations. Intel Core Duo and Intel Core Solo processors have less buffers. Nevertheless the general heuristic applies to all of them.

3.6.2 Enhance Speculative Execution and Memory Disambiguation

Prior to Intel Core microarchitecture, when code contains both stores and loads, the loads cannot be issued before the address of the store is resolved. This rule ensures correct handling of load dependencies on preceding stores.

The Intel Core microarchitecture contains a mechanism that allows some loads to be issued early speculatively. The processor later checks if the load address overlaps with a store. If the addresses do overlap, then the processor re-executes the instructions.

Example 3-27 illustrates a situation that the compiler cannot be sure that “Ptr->Array” does not change during the loop. Therefore, the compiler cannot keep “Ptr->Array” in a register as an invariant and must read it again in every iteration. Although this situation can be fixed in software by a rewriting the code to require the address of the pointer is invariant, memory disambiguation provides performance gain without rewriting the code.

Example 3-27. Loads Blocked by Stores of Unknown Address

C code	Assembly sequence
<pre> struct AA { AA ** array; }; void nullify_array (AA *Ptr, DWORD Index, AA *ThisPtr) { while (Ptr->Array[--Index] != ThisPtr) { Ptr->Array[Index] = NULL ; }; }; </pre>	<pre> nullify_loop: mov dword ptr [eax], 0 mov edx, dword ptr [edi] sub ecx, 4 cmp dword ptr [ecx+edx], esi lea eax, [ecx+edx] jne nullify_loop </pre>

3.6.3 Alignment

Alignment of data concerns all kinds of variables:

- Dynamically allocated variables
- Members of a data structure
- Global or local variables
- Parameters passed on the stack

Misaligned data access can incur significant performance penalties. This is particularly true for cache line splits. The size of a cache line is 64 bytes in the Pentium 4 and other recent Intel processors, including processors based on Intel Core microarchitecture.

An access to data unaligned on 64-byte boundary leads to two memory accesses and requires several μ ops to be executed (instead of one). Accesses that span 64-byte boundaries are likely to incur a large performance penalty, the cost of each stall generally are greater on machines with longer pipelines.

Double-precision floating-point operands that are eight-byte aligned have better performance than operands that are not eight-byte aligned, since they are less likely to incur penalties for cache and MOB splits. Floating-point operation on a memory operands require that the operand be loaded from memory. This incurs an additional μ op, which can have a minor negative impact on front end bandwidth. Additionally, memory operands may cause a data cache miss, causing a penalty.

Assembly/Compiler Coding Rule 45. (H impact, H generality) *Align data on natural operand size address boundaries. If the data will be accessed with vector instruction loads and stores, align the data on 16-byte boundaries.*

For best performance, align data as follows:

- Align 8-bit data at any address.
- Align 16-bit data to be contained within an aligned 4-byte word.
- Align 32-bit data so that its base address is a multiple of four.
- Align 64-bit data so that its base address is a multiple of eight.
- Align 80-bit data so that its base address is a multiple of sixteen.
- Align 128-bit data so that its base address is a multiple of sixteen.

A 64-byte or greater data structure or array should be aligned so that its base address is a multiple of 64. Sorting data in decreasing size order is one heuristic for assisting with natural alignment. As long as 16-byte boundaries (and cache lines) are never crossed, natural alignment is not strictly necessary (though it is an easy way to enforce this).

Example 3-28 shows the type of code that can cause a cache line split. The code loads the addresses of two DWORD arrays. 029E70FEH is not a 4-byte-aligned address, so a 4-byte access at this address will get 2 bytes from the cache line this address is contained in, and 2 bytes from the cache line that starts at 029E700H. On processors with 64-byte cache lines, a similar cache line split will occur every 8 iterations.

Example 3-28. Code That Causes Cache Line Split

```

mov    esi, 029e70feh
mov    edi, 05be5260h
Blockmove:
mov    eax, DWORD PTR [esi]
mov    ebx, DWORD PTR [esi+4]
mov    DWORD PTR [edi], eax
mov    DWORD PTR [edi+4], ebx
add    esi, 8
add    edi, 8
sub    edx, 1
jnz    Blockmove

```

Figure 3-2 illustrates the situation of accessing a data element that span across cache line boundaries.

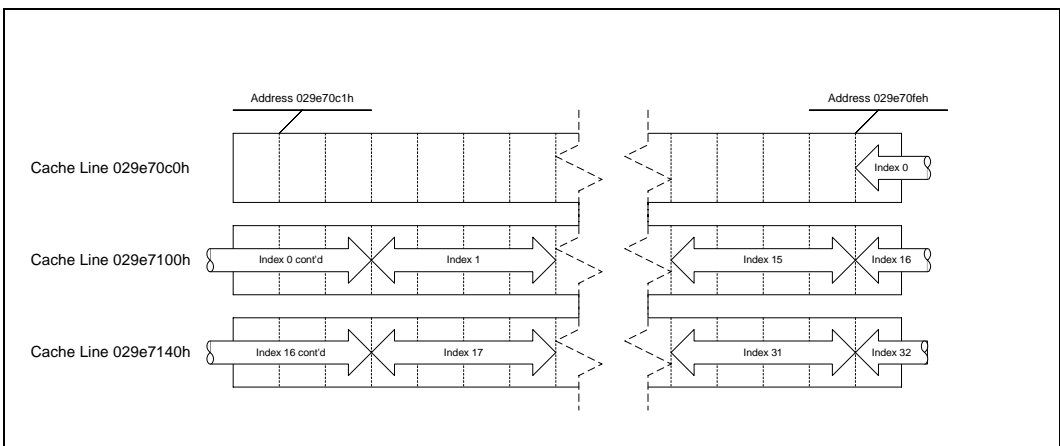


Figure 3-2. Cache Line Split in Accessing Elements in a Array

Alignment of code is less important for processors based on Intel NetBurst microarchitecture. Alignment of branch targets to maximize bandwidth of fetching cached instructions is an issue only when not executing out of the trace cache.

Alignment of code can be an issue for the Pentium M, Intel Core Duo and Intel Core 2 Duo processors. Alignment of branch targets will improve decoder throughput.

3.6.4 Store Forwarding

The processor's memory system only sends stores to memory (including cache) after store retirement. However, store data can be forwarded from a store to a subsequent load from the same address to give a much shorter store-load latency.

There are two kinds of requirements for store forwarding. If these requirements are violated, store forwarding cannot occur and the load must get its data from the cache (so the store must write its data back to the cache first). This incurs a penalty that is largely related to pipeline depth of the underlying micro-architecture.

The first requirement pertains to the size and alignment of the store-forwarding data. This restriction is likely to have high impact on overall application performance. Typically, a performance penalty due to violating this restriction can be prevented. The store-to-load forwarding restrictions vary from one microarchitecture to another. Several examples of coding pitfalls that cause store-forwarding stalls and solutions to these pitfalls are discussed in detail in Section 3.6.4.1, "Store-to-Load-Forwarding Restriction on Size and Alignment." The second requirement is the availability of data, discussed in Section 3.6.4.2, "Store-forwarding Restriction on Data Availability." A good practice is to eliminate redundant load operations.

It may be possible to keep a temporary scalar variable in a register and never write it to memory. Generally, such a variable must not be accessible using indirect pointers. Moving a variable to a register eliminates all loads and stores of that variable and eliminates potential problems associated with store forwarding. However, it also increases register pressure.

Load instructions tend to start chains of computation. Since the out-of-order engine is based on data dependence, load instructions play a significant role in the engine's ability to execute at a high rate. Eliminating loads should be given a high priority.

If a variable does not change between the time when it is stored and the time when it is used again, the register that was stored can be copied or used directly. If register pressure is too high, or an unseen function is called before the store and the second load, it may not be possible to eliminate the second load.

Assembly/Compiler Coding Rule 46. (H impact, M generality) *Pass parameters in registers instead of on the stack where possible. Passing arguments on the stack requires a store followed by a reload. While this sequence is optimized in hardware by providing the value to the load directly from the memory order buffer without the need to access the data cache if permitted by store-forwarding restrictions, floating point values incur a significant latency in forwarding. Passing floating point arguments in (preferably XMM) registers should save this long latency operation.*

Parameter passing conventions may limit the choice of which parameters are passed in registers which are passed on the stack. However, these limitations may be overcome if the compiler has control of the compilation of the whole binary (using whole-program optimization).

3.6.4.1 Store-to-Load-Forwarding Restriction on Size and Alignment

Data size and alignment restrictions for store-forwarding apply to processors based on Intel NetBurst microarchitecture, Intel Core microarchitecture, Intel Core 2 Duo, Intel Core Solo and Pentium M processors. The performance penalty for violating store-forwarding restrictions is less for shorter-pipelined machines than for Intel NetBurst microarchitecture.

Store-forwarding restrictions vary with each microarchitecture. Intel NetBurst microarchitecture places more constraints than Intel Core microarchitecture on code generation to enable store-forwarding to make progress instead of experiencing stalls. Fixing store-forwarding problems for Intel NetBurst microarchitecture generally also avoids problems on Pentium M, Intel Core Duo and Intel Core 2 Duo processors. The size and alignment restrictions for store-forwarding in processors based on Intel NetBurst microarchitecture are illustrated in Figure 3-3.

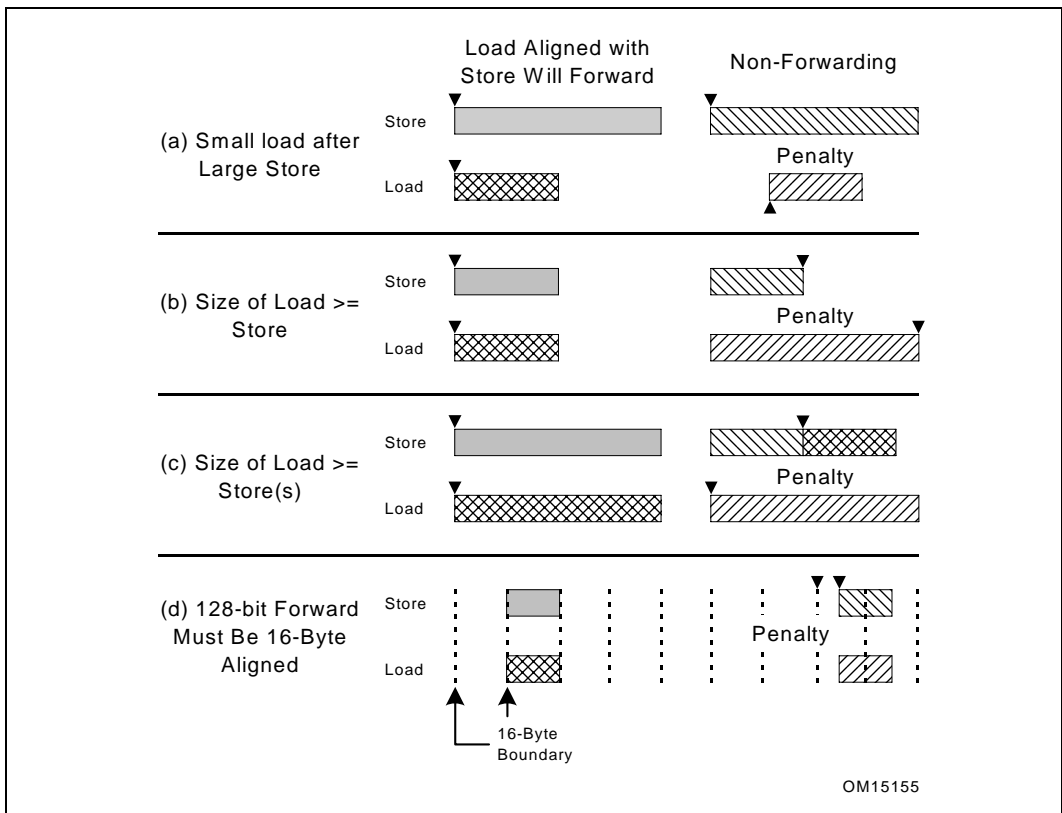


Figure 3-3. Size and Alignment Restrictions in Store Forwarding

GENERAL OPTIMIZATION GUIDELINES

The following rules help satisfy size and alignment restrictions for store forwarding:

Assembly/Compiler Coding Rule 47. (H impact, M generality) *A load that forwards from a store must have the same address start point and therefore the same alignment as the store data.*

Assembly/Compiler Coding Rule 48. (H impact, M generality) *The data of a load which is forwarded from a store must be completely contained within the store data.*

A load that forwards from a store must wait for the store's data to be written to the store buffer before proceeding, but other, unrelated loads need not wait.

Assembly/Compiler Coding Rule 49. (H impact, ML generality) *If it is necessary to extract a non-aligned portion of stored data, read out the smallest aligned portion that completely contains the data and shift/mask the data as necessary. This is better than incurring the penalties of a failed store-forward.*

Assembly/Compiler Coding Rule 50. (MH impact, ML generality) *Avoid several small loads after large stores to the same area of memory by using a single large read and register copies as needed.*

Example 3-29 depicts several store-forwarding situations in which small loads follow large stores. The first three load operations illustrate the situations described in Rule 50. However, the last load operation gets data from store-forwarding without problem.

Example 3-29. Situations Showing Small Loads After Large Store

```
mov [EBP], 'abcd'  
mov AL, [EBP]      ; Not blocked - same alignment  
mov BL, [EBP + 1]  ; Blocked  
mov CL, [EBP + 2]  ; Blocked  
mov DL, [EBP + 3]  ; Blocked  
mov AL, [EBP]      ; Not blocked - same alignment  
                  ; n.b. passes older blocked loads
```

Example 3-30 illustrates a store-forwarding situation in which a large load follows several small stores. The data needed by the load operation cannot be forwarded

because all of the data that needs to be forwarded is not contained in the store buffer. Avoid large loads after small stores to the same area of memory.

Example 3-30. Non-forwarding Example of Large Load After Small Store

```
mov [EBP], 'a'
mov [EBP + 1], 'b'
mov [EBP + 2], 'c'
mov [EBP + 3], 'd'
mov EAX, [EBP] ; Blocked
; The first 4 small store can be consolidated into
; a single DWORD store to prevent this non-forwarding
; situation.
```

Example 3-31 illustrates a stalled store-forwarding situation that may appear in compiler generated code. Sometimes a compiler generates code similar to that shown in Example 3-31 to handle a spilled byte to the stack and convert the byte to an integer value.

Example 3-31. A Non-forwarding Situation in Compiler Generated Code

```
mov DWORD PTR [esp+10h], 00000000h
mov BYTE PTR [esp+10h], bl
mov eax, DWORD PTR [esp+10h] ; Stall
and eax, 0xff ; Converting back to byte value
```

Example 3-32 offers two alternatives to avoid the non-forwarding situation shown in Example 3-31.

Example 3-32. Two Ways to Avoid Non-forwarding Situation in Example 3-31

```
; A. Use MOVZ instruction to avoid large load after small
; store, when spills are ignored.
movz eax, bl ; Replaces the last three instructions
; B. Use MOVZ instruction and handle spills to the stack
mov DWORD PTR [esp+10h], 00000000h
mov BYTE PTR [esp+10h], bl
movz eax, BYTE PTR [esp+10h] ; Not blocked
```

When moving data that is smaller than 64 bits between memory locations, 64-bit or 128-bit SIMD register moves are more efficient (if aligned) and can be used to avoid unaligned loads. Although floating-point registers allow the movement of 64 bits at a time, floating point instructions should not be used for this purpose, as data may be inadvertently modified.

As an additional example, consider the cases in Example 3-33.

Example 3-33. Large and Small Load Stalls

```

; A. Large load stall
mov     mem, eax      ; Store dword to address "MEM"
mov     mem + 4, ebx  ; Store dword to address "MEM + 4"
fld     mem           ; Load qword at address "MEM", stalls

; B. Small Load stall
fstp   mem           ; Store qword to address "MEM"
mov    bx, mem+2      ; Load word at address "MEM + 2", stalls
mov    cx, mem+4      ; Load word at address "MEM + 4", stalls
    
```

In the first case (A), there is a large load after a series of small stores to the same area of memory (beginning at memory address MEM). The large load will stall.

The FLD must wait for the stores to write to memory before it can access all the data it requires. This stall can also occur with other data types (for example, when bytes or words are stored and then words or doublewords are read from the same area of memory).

In the second case (B), there is a series of small loads after a large store to the same area of memory (beginning at memory address MEM). The small loads will stall.

The word loads must wait for the quadword store to write to memory before they can access the data they require. This stall can also occur with other data types (for example, when doublewords or words are stored and then words or bytes are read from the same area of memory). This can be avoided by moving the store as far from the loads as possible.

Store forwarding restrictions for processors based on Intel Core microarchitecture is listed in Table 3-1.

Table 3-1. Store Forwarding Restrictions of Processors Based on Intel Core Microarchitecture

Store Alignment	Width of Store (bits)	Load Alignment (byte)	Width of Load (bits)	Store Forwarding Restriction
To Natural size	16	word aligned	8, 16	not stalled
To Natural size	16	not word aligned	8	stalled
To Natural size	32	dword aligned	8, 32	not stalled
To Natural size	32	not dword aligned	8	stalled
To Natural size	32	word aligned	16	not stalled
To Natural size	32	not word aligned	16	stalled
To Natural size	64	qword aligned	8, 16, 64	not stalled

**Table 3-1. Store Forwarding Restrictions of Processors
Based on Intel Core Microarchitecture (Contd.)**

Store Alignment	Width of Store (bits)	Load Alignment (byte)	Width of Load (bits)	Store Forwarding Restriction
To Natural size	64	not qword aligned	8, 16	stalled
To Natural size	64	dword aligned	32	not stalled
To Natural size	64	not dword aligned	32	stalled
To Natural size	128	dqword aligned	8, 16, 128	not stalled
To Natural size	128	not dqword aligned	8, 16	stalled
To Natural size	128	dword aligned	32	not stalled
To Natural size	128	not dword aligned	32	stalled
To Natural size	128	qword aligned	64	not stalled
To Natural size	128	not qword aligned	64	stalled
Unaligned, start byte 1	32	byte 0 of store	8, 16, 32	not stalled
Unaligned, start byte 1	32	not byte 0 of store	8, 16	stalled
Unaligned, start byte 1	64	byte 0 of store	8, 16, 32	not stalled
Unaligned, start byte 1	64	not byte 0 of store	8, 16, 32	stalled
Unaligned, start byte 1	64	byte 0 of store	64	stalled
Unaligned, start byte 7	32	byte 0 of store	8	not stalled
Unaligned, start byte 7	32	not byte 0 of store	8	not stalled
Unaligned, start byte 7	32	don't care	16, 32	stalled
Unaligned, start byte 7	64	don't care	16, 32, 64	stalled

3.6.4.2 Store-forwarding Restriction on Data Availability

The value to be stored must be available before the load operation can be completed. If this restriction is violated, the execution of the load will be delayed until the data is available. This delay causes some execution resources to be used unnecessarily, and that can lead to sizable but non-deterministic delays. However, the overall impact of this problem is much smaller than that from violating size and alignment requirements.

In processors based on Intel NetBurst microarchitecture, hardware predicts when loads are dependent on and get their data forwarded from preceding stores. These predictions can significantly improve performance. However, if a load is scheduled too soon after the store it depends on or if the generation of the data to be stored is delayed, there can be a significant penalty.

There are several cases in which data is passed through memory, and the store may need to be separated from the load:

- Spills, save and restore registers in a stack frame
- Parameter passing
- Global and volatile variables
- Type conversion between integer and floating point
- When compilers do not analyze code that is inlined, forcing variables that are involved in the interface with inlined code to be in memory, creating more memory variables and preventing the elimination of redundant loads

Assembly/Compiler Coding Rule 51. (H impact, MH generality) *Where it is possible to do so without incurring other penalties, prioritize the allocation of variables to registers, as in register allocation and for parameter passing, to minimize the likelihood and impact of store-forwarding problems. Try not to store-forward data generated from a long latency instruction - for example, MUL or DIV. Avoid store-forwarding data for variables with the shortest store-load distance. Avoid store-forwarding data for variables with many and/or long dependence chains, and especially avoid including a store forward on a loop-carried dependence chain.*

shows an example of a loop-carried dependence chain.

Example 3-34. Loop-carried Dependence Chain

```
for ( i = 0; i < MAX; i++ ){
    a[i] = b[i] * foo;
    foo = a[i] / 3;
}
```

// foo is a loop-carried dependence.

Assembly/Compiler Coding Rule 52. (M impact, MH generality) *Calculate store addresses as early as possible to avoid having stores block loads.*

3.6.5 Data Layout Optimizations

User/Source Coding Rule 6. (H impact, M generality) *Pad data structures defined in the source code so that every data element is aligned to a natural operand size address boundary.*

If the operands are packed in a SIMD instruction, align to the packed element size (64-bit or 128-bit).

Align data by providing padding inside structures and arrays. Programmers can reorganize structures and arrays to minimize the amount of memory wasted by padding. However, compilers might not have this freedom. The C programming language, for example, specifies the order in which structure elements are allocated in memory. For more information, see Section 4.4, “Stack and Data Alignment,” and Appendix D, “Stack Alignment.”

Example 3-35 shows how a data structure could be rearranged to reduce its size.

Example 3-35. Rearranging a Data Structure

```

struct unpacked { /* Fits in 20 bytes due to padding */
    int    a;
    char   b;
    int    c;
    char   d;
    int    e;
};

struct packed { /* Fits in 16 bytes */
    int    a;
    int    c;
    int    e;
    char   b;
    char   d;
}

```

Cache line size of 64 bytes can impact streaming applications (for example, multi-media). These reference and use data only once before discarding it. Data accesses which sparsely utilize the data within a cache line can result in less efficient utilization of system memory bandwidth. For example, arrays of structures can be decomposed into several arrays to achieve better packing, as shown in Example 3-36.

Example 3-36. Decomposing an Array

```

struct { /* 1600 bytes */
    int  a, c, e;
    char b, d;
} array_of_struct [100];

struct { /* 1400 bytes */
    int  a[100], c[100], e[100];
    char b[100], d[100];
} struct_of_array;

struct { /* 1200 bytes */
    int  a, c, e;
} hybrid_struct_of_array_ace[100];

```

Example 3-36. Decomposing an Array (Contd.)

```

struct {      /* 200 bytes */
    char b, d;
} hybrid_struct_of_array_bd[100];

```

The efficiency of such optimizations depends on usage patterns. If the elements of the structure are all accessed together but the access pattern of the array is random, then `ARRAY_OF_STRUCT` avoids unnecessary prefetch even though it wastes memory.

However, if the access pattern of the array exhibits locality (for example, if the array index is being swept through) then processors with hardware prefetchers will prefetch data from `STRUCT_OF_ARRAY`, even if the elements of the structure are accessed together.

When the elements of the structure are not accessed with equal frequency, such as when element A is accessed ten times more often than the other entries, then `STRUCT_OF_ARRAY` not only saves memory, but it also prevents fetching unnecessary data items B, C, D, and E.

Using `STRUCT_OF_ARRAY` also enables the use of the SIMD data types by the programmer and the compiler.

Note that `STRUCT_OF_ARRAY` can have the disadvantage of requiring more independent memory stream references. This can require the use of more prefetches and additional address generation calculations. It can also have an impact on DRAM page access efficiency. An alternative, `HYBRID_STRUCT_OF_ARRAY` blends the two approaches. In this case, only 2 separate address streams are generated and referenced: 1 for `HYBRID_STRUCT_OF_ARRAY_ACE` and 1 for `HYBRID_STRUCT_OF_ARRAY_BD`. The second alternative also prevents fetching unnecessary data — assuming that (1) the variables A, C and E are always used together, and (2) the variables B and D are always used together, but not at the same time as A, C and E.

The hybrid approach ensures:

- Simpler/fewer address generations than `STRUCT_OF_ARRAY`
- Fewer streams, which reduces DRAM page misses
- Fewer prefetches due to fewer streams
- Efficient cache line packing of data elements that are used concurrently

Assembly/Compiler Coding Rule 53. (H impact, M generality) Try to arrange data structures such that they permit sequential access.

If the data is arranged into a set of streams, the automatic hardware prefetcher can prefetch data that will be needed by the application, reducing the effective memory latency. If the data is accessed in a non-sequential manner, the automatic hardware prefetcher cannot prefetch the data. The prefetcher can recognize up to eight

concurrent streams. See Chapter 7, “Optimizing Cache Usage,” for more information on the hardware prefetcher.

On Intel Core 2 Duo, Intel Core Duo, Intel Core Solo, Pentium 4, Intel Xeon and Pentium M processors, memory coherence is maintained on 64-byte cache lines (rather than 32-byte cache lines, as in earlier processors). This can increase the opportunity for false sharing.

User/Source Coding Rule 7. (M impact, L generality) *Beware of false sharing within a cache line (64 bytes) and within a sector of 128 bytes on processors based on Intel NetBurst microarchitecture.*

3.6.6 Stack Alignment

The easiest way to avoid stack alignment problems is to keep the stack aligned at all times. For example, a language that supports 8-bit, 16-bit, 32-bit, and 64-bit data quantities but never uses 80-bit data quantities can require the stack to always be aligned on a 64-bit boundary.

Assembly/Compiler Coding Rule 54. (H impact, M generality) *If 64-bit data is ever passed as a parameter or allocated on the stack, make sure that the stack is aligned to an 8-byte boundary.*

Doing this will require using a general purpose register (such as EBP) as a frame pointer. The trade-off is between causing unaligned 64-bit references (if the stack is not aligned) and causing extra general purpose register spills (if the stack is aligned). Note that a performance penalty is caused only when an unaligned access splits a cache line. This means that one out of eight spatially consecutive unaligned accesses is always penalized.

A routine that makes frequent use of 64-bit data can avoid stack misalignment by placing the code described in Example 3-37 in the function prologue and epilogue.

Example 3-37. Dynamic Stack Alignment

```

prologue:
  subl   esp, 4           ; Save frame ptr
  movl   [esp], ebp
  movl   ebp, esp        ; New frame pointer
  andl   ebp, 0xFFFFFFFF ; Aligned to 64 bits
  movl   [ebp], esp      ; Save old stack ptr
  subl   esp, FRAMESIZE  ; Allocate space
  ; ... callee saves, etc.

```

Example 3-37. Dynamic Stack Alignment (Contd.)

```

epilogue:
; ... callee restores, etc.
movl    esp, [ebp]      ; Restore stack ptr
movl    ebp, [esp]      ; Restore frame ptr
addl    esp, 4
ret

```

If for some reason it is not possible to align the stack for 64-bits, the routine should access the parameter and save it into a register or known aligned storage, thus incurring the penalty only once.

3.6.7 Capacity Limits and Aliasing in Caches

There are cases in which addresses with a given stride will compete for some resource in the memory hierarchy.

Typically, caches are implemented to have multiple ways of set associativity, with each way consisting of multiple sets of cache lines (or sectors in some cases). Multiple memory references that compete for the same set of each way in a cache can cause a capacity issue. There are aliasing conditions that apply to specific microarchitectures. Note that first-level cache lines are 64 bytes. Thus, the least significant 6 bits are not considered in alias comparisons. For processors based on Intel NetBurst microarchitecture, data is loaded into the second level cache in a sector of 128 bytes, so the least significant 7 bits are not considered in alias comparisons.

3.6.7.1 Capacity Limits in Set-Associative Caches

Capacity limits may be reached if the number of outstanding memory references that are mapped to the same set in each way of a given cache exceeds the number of ways of that cache. The conditions that apply to the first-level data cache and second level cache are listed below:

- **L1 Set Conflicts** — Multiple references map to the same first-level cache set. The conflicting condition is a stride determined by the size of the cache in bytes, divided by the number of ways. These competing memory references can cause excessive cache misses only if the number of outstanding memory references exceeds the number of ways in the working set:
 - On Pentium 4 and Intel Xeon processors with a CPUID signature of family encoding 15, model encoding of 0, 1, or 2; there will be an excess of first-level cache misses for more than 4 simultaneous competing memory references to addresses with 2-KByte modulus.

- On Pentium 4 and Intel Xeon processors with a CPUID signature of family encoding 15, model encoding 3; there will be an excess of first-level cache misses for more than 8 simultaneous competing references to addresses that are apart by 2-KByte modulus.
- On Intel Core 2 Duo, Intel Core Duo, Intel Core Solo, and Pentium M processors, there will be an excess of first-level cache misses for more than 8 simultaneous references to addresses that are apart by 4-KByte modulus.
- **L2 Set Conflicts** — Multiple references map to the same second-level cache set. The conflicting condition is also determined by the size of the cache or the number of ways:
 - On Pentium 4 and Intel Xeon processors, there will be an excess of second-level cache misses for more than 8 simultaneous competing references. The stride sizes that can cause capacity issues are 32 KBytes, 64 KBytes, or 128 KBytes, depending of the size of the second level cache.
 - On Pentium M processors, the stride sizes that can cause capacity issues are 128 KBytes or 256 KBytes, depending of the size of the second level cache. On Intel Core 2 Duo, Intel Core Duo, Intel Core Solo processors, stride size of 256 KBytes can cause capacity issue if the number of simultaneous accesses exceeded the way associativity of the L2 cache.

3.6.7.2 Aliasing Cases in Processors Based on Intel NetBurst Microarchitecture

Aliasing conditions that are specific to processors based on Intel NetBurst microarchitecture are:

- **16 KBytes for code** — There can only be one of these in the trace cache at a time. If two traces whose starting addresses are 16 KBytes apart are in the same working set, the symptom will be a high trace cache miss rate. Solve this by offsetting one of the addresses by one or more bytes.
- **Data conflict** — There can only be one instance of the data in the first-level cache at a time. If a reference (load or store) occurs and its linear address matches a data conflict condition with another reference (load or store) that is under way, then the second reference cannot begin until the first one is kicked out of the cache.
 - On Pentium 4 and Intel Xeon processors with a CPUID signature of family encoding 15, model encoding of 0, 1, or 2; the data conflict condition applies to addresses having identical values in bits 15:6 (this is also referred to as a “64-KByte aliasing conflict”). If you avoid this kind of aliasing, you can speed up programs by a factor of three if they load frequently from preceding stores with aliased addresses and little other instruction-level parallelism is available. The gain is smaller when loads alias with other loads, which causes thrashing in the first-level cache.

- On Pentium 4 and Intel Xeon processors with a CPUID signature of family encoding 15, model encoding 3; the data conflict condition applies to addresses having identical values in bits 21:6.

3.6.7.3 Aliasing Cases in the Pentium M, Intel Core Solo, Intel Core Duo and Intel Core 2 Duo Processors

Pentium M, Intel Core Solo, Intel Core Duo and Intel Core 2 Duo processors have the following aliasing case:

- **Store forwarding** — If a store to an address is followed by a load from the same address, the load will not proceed until the store data is available. If a store is followed by a load and their addresses differ by a multiple of 4 KBytes, the load stalls until the store operation completes.

Assembly/Compiler Coding Rule 55. (H impact, M generality) *Avoid having a store followed by a non-dependent load with addresses that differ by a multiple of 4 KBytes. Also, lay out data or order computation to avoid having cache lines that have linear addresses that are a multiple of 64 KBytes apart in the same working set. Avoid having more than 4 cache lines that are some multiple of 2 KBytes apart in the same first-level cache working set, and avoid having more than 8 cache lines that are some multiple of 4 KBytes apart in the same first-level cache working set.*

When declaring multiple arrays that are referenced with the same index and are each a multiple of 64 KBytes (as can happen with STRUCT_OF_ARRAY data layouts), pad them to avoid declaring them contiguously. Padding can be accomplished by either intervening declarations of other variables or by artificially increasing the dimension.

User/Source Coding Rule 8. (H impact, ML generality) *Consider using a special memory allocation library with address offset capability to avoid aliasing.*

One way to implement a memory allocator to avoid aliasing is to allocate more than enough space and pad. For example, allocate structures that are 68 KB instead of 64 KBytes to avoid the 64-KByte aliasing, or have the allocator pad and return random offsets that are a multiple of 128 Bytes (the size of a cache line).

User/Source Coding Rule 9. (M impact, M generality) *When padding variable declarations to avoid aliasing, the greatest benefit comes from avoiding aliasing on second-level cache lines, suggesting an offset of 128 bytes or more.*

4-KByte memory aliasing occurs when the code accesses two different memory locations with a 4-KByte offset between them. The 4-KByte aliasing situation can manifest in a memory copy routine where the addresses of the source buffer and destination buffer maintain a constant offset and the constant offset happens to be a multiple of the byte increment from one iteration to the next.

Example 3-38 shows a routine that copies 16 bytes of memory in each iteration of a loop. If the offsets (modular 4096) between source buffer (EAX) and destination buffer (EDX) differ by 16, 32, 48, 64, 80; loads have to wait until stores have been retired before they can continue. For example at offset 16, the load of the next iteration is 4-KByte aliased current iteration store, therefore the loop must wait until the store operation completes, making the entire loop serialized. The amount of time

needed to wait decreases with larger offset until offset of 96 resolves the issue (as there is no pending stores by the time of the load with same address).

The Intel Core microarchitecture provides a performance monitoring event (see `LOAD_BLOCK.OVERLAP_STORE` in *Intel® 64 and IA-32 Architectures Software Developer's Manual, Volume 3B*) that allows software tuning effort to detect the occurrence of aliasing conditions.

Example 3-38. Aliasing Between Loads and Stores Across Loop Iterations

```
LP:
    movaps xmm0, [eax+ecx]
    movaps [edx+ecx], xmm0
    add ecx, 16
    jnz lp
```

3.6.8 Mixing Code and Data

The aggressive prefetching and pre-decoding of instructions by Intel processors have two related effects:

- Self-modifying code works correctly, according to the Intel architecture processor requirements, but incurs a significant performance penalty. Avoid self-modifying code if possible.
- Placing writable data in the code segment might be impossible to distinguish from self-modifying code. Writable data in the code segment might suffer the same performance penalty as self-modifying code.

Assembly/Compiler Coding Rule 56. (M impact, L generality) *If (hopefully read-only) data must occur on the same page as code, avoid placing it immediately after an indirect jump. For example, follow an indirect jump with its mostly likely target, and place the data after an unconditional branch.*

Tuning Suggestion 1. *In rare cases, a performance problem may be caused by executing data on a code page as instructions. This is very likely to happen when execution is following an indirect branch that is not resident in the trace cache. If this is clearly causing a performance problem, try moving the data elsewhere, or inserting an illegal opcode or a PAUSE instruction immediately after the indirect branch. Note that the latter two alternatives may degrade performance in some circumstances.*

Assembly/Compiler Coding Rule 57. (H impact, L generality) *Always put code and data on separate pages. Avoid self-modifying code wherever possible. If code is to be modified, try to do it all at once and make sure the code that performs the modifications and the code being modified are on separate 4-KByte pages or on separate aligned 1-KByte subpages.*

3.6.8.1 Self-modifying Code

Self-modifying code (SMC) that ran correctly on Pentium III processors and prior implementations will run correctly on subsequent implementations. SMC and cross-modifying code (when multiple processors in a multiprocessor system are writing to a code page) should be avoided when high performance is desired.

Software should avoid writing to a code page in the same 1-KByte subpage that is being executed or fetching code in the same 2-KByte subpage of that is being written. In addition, sharing a page containing directly or speculatively executed code with another processor as a data page can trigger an SMC condition that causes the entire pipeline of the machine and the trace cache to be cleared. This is due to the self-modifying code condition.

Dynamic code need not cause the SMC condition if the code written fills up a data page before that page is accessed as code. Dynamically-modified code (for example, from target fix-ups) is likely to suffer from the SMC condition and should be avoided where possible. Avoid the condition by introducing indirect branches and using data tables on data pages (not code pages) using register-indirect calls.

3.6.9 Write Combining

Write combining (WC) improves performance in two ways:

- On a write miss to the first-level cache, it allows multiple stores to the same cache line to occur before that cache line is read for ownership (RFO) from further out in the cache/memory hierarchy. Then the rest of line is read, and the bytes that have not been written are combined with the unmodified bytes in the returned line.
- Write combining allows multiple writes to be assembled and written further out in the cache hierarchy as a unit. This saves port and bus traffic. Saving traffic is particularly important for avoiding partial writes to uncached memory.

There are six write-combining buffers (on Pentium 4 and Intel Xeon processors with a CPUID signature of family encoding 15, model encoding 3; there are 8 write-combining buffers). Two of these buffers may be written out to higher cache levels and freed up for use on other write misses. Only four write-combining buffers are guaranteed to be available for simultaneous use. Write combining applies to memory type WC; it does not apply to memory type UC.

There are six write-combining buffers in each processor core in Intel Core Duo and Intel Core Solo processors. Processors based on Intel Core microarchitecture have eight write-combining buffers in each core.

Assembly/Compiler Coding Rule 58. (H impact, L generality) *If an inner loop writes to more than four arrays (four distinct cache lines), apply loop fission to break up the body of the loop such that only four arrays are being written to in each iteration of each of the resulting loops.*

Write combining buffers are used for stores of all memory types. They are particularly important for writes to uncached memory: writes to different parts of the same cache line can be grouped into a single, full-cache-line bus transaction instead of going across the bus (since they are not cached) as several partial writes. Avoiding partial writes can have a significant impact on bus bandwidth-bound graphics applications, where graphics buffers are in uncached memory. Separating writes to uncached memory and writes to writeback memory into separate phases can assure that the write combining buffers can fill before getting evicted by other write traffic. Eliminating partial write transactions has been found to have performance impact on the order of 20% for some applications. Because the cache lines are 64 bytes, a write to the bus for 63 bytes will result in 8 partial bus transactions.

When coding functions that execute simultaneously on two threads, reducing the number of writes that are allowed in an inner loop will help take full advantage of write-combining store buffers. For write-combining buffer recommendations for Hyper-Threading Technology, see Chapter 8, "Multicore and Hyper-Threading Technology."

Store ordering and visibility are also important issues for write combining. When a write to a write-combining buffer for a previously-unwritten cache line occurs, there will be a read-for-ownership (RFO). If a subsequent write happens to another write-combining buffer, a separate RFO may be caused for that cache line. Subsequent writes to the first cache line and write-combining buffer will be delayed until the second RFO has been serviced to guarantee properly ordered visibility of the writes. If the memory type for the writes is write-combining, there will be no RFO since the line is not cached, and there is no such delay. For details on write-combining, see Chapter 10, "Memory Cache Control," of *Intel® 64 and IA-32 Architectures Software Developer's Manual, Volume 3A*.

3.6.10 Locality Enhancement

Locality enhancement can reduce data traffic originating from an outer-level sub-system in the cache/memory hierarchy. This is to address the fact that the access-cost in terms of cycle-count from an outer level will be more expensive than from an inner level. Typically, the cycle-cost of accessing a given cache level (or memory system) varies across different microarchitectures, processor implementations, and platform components. It may be sufficient to recognize the relative data access cost trend by locality rather than to follow a large table of numeric values of cycle-costs, listed per locality, per processor/platform implementations, etc. The general trend is typically that access cost from an outer sub-system may be approximately 3-10X

GENERAL OPTIMIZATION GUIDELINES

more expensive than accessing data from the immediate inner level in the cache/memory hierarchy, assuming similar degrees of data access parallelism.

Thus locality enhancement should start with characterizing the dominant data traffic locality. Section A, “Application Performance Tools,” describes some techniques that can be used to determine the dominant data traffic locality for any workload.

Even if cache miss rates of the last level cache may be low relative to the number of cache references, processors typically spend a sizable portion of their execution time waiting for cache misses to be serviced. Reducing cache misses by enhancing a program’s locality is a key optimization. This can take several forms:

- Blocking to iterate over a portion of an array that will fit in the cache (with the purpose that subsequent references to the data-block [or tile] will be cache hit references)
- Loop interchange to avoid crossing cache lines or page boundaries
- Loop skewing to make accesses contiguous

Locality enhancement to the last level cache can be accomplished with sequencing the data access pattern to take advantage of hardware prefetching. This can also take several forms:

- Transformation of a sparsely populated multi-dimensional array into a one-dimension array such that memory references occur in a sequential, small-stride pattern that is friendly to the hardware prefetch (see Section 2.2.4.4, “Data Prefetch”)
- Optimal tile size and shape selection can further improve temporal data locality by increasing hit rates into the last level cache and reduce memory traffic resulting from the actions of hardware prefetching (see Section 7.6.11, “Hardware Prefetching and Cache Blocking Techniques”)

It is important to avoid operations that work against locality-enhancing techniques. Using the lock prefix heavily can incur large delays when accessing memory, regardless of whether the data is in the cache or in system memory.

User/Source Coding Rule 10. (H impact, H generality) Optimization techniques such as blocking, loop interchange, loop skewing, and packing are best done by the compiler. Optimize data structures either to fit in one-half of the first-level cache or in the second-level cache; turn on loop optimizations in the compiler to enhance locality for nested loops.

Optimizing for one-half of the first-level cache will bring the greatest performance benefit in terms of cycle-cost per data access. If one-half of the first-level cache is too small to be practical, optimize for the second-level cache. Optimizing for a point in between (for example, for the entire first-level cache) will likely not bring a substantial improvement over optimizing for the second-level cache.

3.6.11 Minimizing Bus Latency

Each bus transaction includes the overhead of making requests and arbitrations. The average latency of bus read and bus write transactions will be longer if reads and writes alternate. Segmenting reads and writes into phases can reduce the average latency of bus transactions. This is because the number of incidences of successive transactions involving a read following a write, or a write following a read, are reduced.

User/Source Coding Rule 11. (M impact, ML generality) *If there is a blend of reads and writes on the bus, changing the code to separate these bus transactions into read phases and write phases can help performance.*

Note, however, that the order of read and write operations on the bus is not the same as it appears in the program.

Bus latency for fetching a cache line of data can vary as a function of the access stride of data references. In general, bus latency will increase in response to increasing values of the stride of successive cache misses. Independently, bus latency will also increase as a function of increasing bus queue depths (the number of outstanding bus requests of a given transaction type). The combination of these two trends can be highly non-linear, in that bus latency of large-stride, bandwidth-sensitive situations are such that effective throughput of the bus system for data-parallel accesses can be significantly less than the effective throughput of small-stride, bandwidth-sensitive situations.

To minimize the per-access cost of memory traffic or amortize raw memory latency effectively, software should control its cache miss pattern to favor higher concentration of smaller-stride cache misses.

User/Source Coding Rule 12. (H impact, H generality) *To achieve effective amortization of bus latency, software should favor data access patterns that result in higher concentrations of cache miss patterns, with cache miss strides that are significantly smaller than half the hardware prefetch trigger threshold.*

3.6.12 Non-Temporal Store Bus Traffic

Peak system bus bandwidth is shared by several types of bus activities, including reads (from memory), reads for ownership (of a cache line), and writes. The data transfer rate for bus write transactions is higher if 64 bytes are written out to the bus at a time.

Typically, bus writes to Writeback (WB) memory must share the system bus bandwidth with read-for-ownership (RFO) traffic. Non-temporal stores do not require RFO traffic; they do require care in managing the access patterns in order to ensure 64 bytes are evicted at once (rather than evicting several 8-byte chunks).

Although the data bandwidth of full 64-byte bus writes due to non-temporal stores is twice that of bus writes to WB memory, transferring 8-byte chunks wastes bus

GENERAL OPTIMIZATION GUIDELINES

request bandwidth and delivers significantly lower data bandwidth. This difference is depicted in Examples 3-39 and 3-40.

Example 3-39. Using Non-temporal Stores and 64-byte Bus Write Transactions

```
#define STRIDESIZE 256
lea ecx, p64byte_Aligned
mov edx, ARRAY_LEN
xor eax, eax
sloop:
movntps XMMWORD ptr [ecx + eax], xmm0
movntps XMMWORD ptr [ecx + eax+16], xmm0
movntps XMMWORD ptr [ecx + eax+32], xmm0
movntps XMMWORD ptr [ecx + eax+48], xmm0
; 64 bytes is written in one bus transaction
add eax, STRIDESIZE
cmp eax, edx
jl sloop
```

Example 3-40. On-temporal Stores and Partial Bus Write Transactions

```
#define STRIDESIZE 256
Lea ecx, p64byte_Aligned
Mov edx, ARRAY_LEN
Xor eax, eax
sloop:
movntps XMMWORD ptr [ecx + eax], xmm0
movntps XMMWORD ptr [ecx + eax+16], xmm0
movntps XMMWORD ptr [ecx + eax+32], xmm0
; Storing 48 bytes results in 6 bus partial transactions
add eax, STRIDESIZE
cmp eax, edx
```

3.7 PREFETCHING

Recent Intel processor families employ several prefetching mechanisms to accelerate the movement of data or code and improve performance:

- Hardware instruction prefetcher
- Software prefetch for data
- Hardware prefetch for cache lines of data or instructions

3.7.1 Hardware Instruction Fetching and Software Prefetching

In processor based on Intel NetBurst microarchitecture, the hardware instruction fetcher reads instructions, 32 bytes at a time, into the 64-byte instruction streaming buffers. Instruction fetching for Intel Core microarchitecture is discussed in Section 2.1.2.

Software prefetching requires a programmer to use PREFETCH hint instructions and anticipate some suitable timing and location of cache misses.

In Intel Core microarchitecture, software PREFETCH instructions can prefetch beyond page boundaries and can perform one-to-four page walks. Software PREFETCH instructions issued on fill buffer allocations retire after the page walk completes and the DCU miss is detected. Software PREFETCH instructions can trigger all hardware prefetchers in the same manner as do regular loads.

Software PREFETCH operations work the same way as do load from memory operations, with the following exceptions:

- Software PREFETCH instructions retire after virtual to physical address translation is completed.
- If an exception, such as page fault, is required to prefetch the data, then the software prefetch instruction retires without prefetching data.

3.7.2 Software and Hardware Prefetching in Prior Microarchitectures

Pentium 4 and Intel Xeon processors based on Intel NetBurst microarchitecture introduced hardware prefetching in addition to software prefetching. The hardware prefetcher operates transparently to fetch data and instruction streams from memory without requiring programmer intervention. Subsequent microarchitectures continue to improve and add features to the hardware prefetching mechanisms. Earlier implementations of hardware prefetching mechanisms focus on prefetching data and instruction from memory to L2; more recent implementations provide additional features to prefetch data from L2 to L1.

In Intel NetBurst microarchitecture, the hardware prefetcher can track 8 independent streams.

The Pentium M processor also provides a hardware prefetcher for data. It can track 12 separate streams in the forward direction and 4 streams in the backward direction. The processor's PREFETCHNTA instruction also fetches 64-bytes into the first-level data cache without polluting the second-level cache.

Intel Core Solo and Intel Core Duo processors provide more advanced hardware prefetchers for data than Pentium M processors. Key differences are summarized in Table 2-6.

Although the hardware prefetcher operates transparently (requiring no intervention by the programmer), it operates most efficiently if the programmer specifically tailors data access patterns to suit its characteristics (it favors small-stride cache

miss patterns). Optimizing data access patterns to suit the hardware prefetcher is highly recommended, and should be a higher-priority consideration than using software prefetch instructions.

The hardware prefetcher is best for small-stride data access patterns in either direction with a cache-miss stride not far from 64 bytes. This is true for data accesses to addresses that are either known or unknown at the time of issuing the load operations. Software prefetch can complement the hardware prefetcher if used carefully.

There is a trade-off to make between hardware and software prefetching. This pertains to application characteristics such as regularity and stride of accesses. Bus bandwidth, issue bandwidth (the latency of loads on the critical path) and whether access patterns are suitable for non-temporal prefetch will also have an impact.

For a detailed description of how to use prefetching, see Chapter 7, “Optimizing Cache Usage.”

Chapter 5, “Optimizing for SIMD Integer Applications,” contains an example that uses software prefetch to implement a memory copy algorithm.

Tuning Suggestion 2. *If a load is found to miss frequently, either insert a prefetch before it or (if issue bandwidth is a concern) move the load up to execute earlier.*

3.7.3 Hardware Prefetching for First-Level Data Cache

The hardware prefetching mechanism for L1 in Intel Core microarchitecture is discussed in Section 2.1.4.2. A similar L1 prefetch mechanism is also available to processors based on Intel NetBurst microarchitecture with CPUID signature of family 15 and model 6.

Example 3-41 depicts a technique to trigger hardware prefetch. The code demonstrates traversing a linked list and performing some computational work on 2 members of each element that reside in 2 different cache lines. Each element is of size 192 bytes. The total size of all elements is larger than can be fitted in the L2 cache.

Example 3-41. Using DCU Hardware Prefetch

Original code	Modified sequence benefit from prefetch
<pre> mov ebx, DWORD PTR [First] xor eax, eax scan_list: mov eax, [ebx+4] mov ecx, 60 do_some_work_1: add eax, eax and eax, 6 sub ecx, 1 jnz do_some_work_1 </pre>	<pre> mov ebx, DWORD PTR [First] xor eax, eax scan_list: mov eax, [ebx+4] mov eax, [ebx+4] mov eax, [ebx+4] mov ecx, 60 do_some_work_1: add eax, eax and eax, 6 sub ecx, 1 jnz do_some_work_1 </pre>
<pre> mov eax, [ebx+64] mov ecx, 30 do_some_work_2: add eax, eax and eax, 6 sub ecx, 1 jnz do_some_work_2 mov ebx, [ebx] test ebx, ebx jnz scan_list </pre>	<pre> mov eax, [ebx+64] mov ecx, 30 do_some_work_2: add eax, eax and eax, 6 sub ecx, 1 jnz do_some_work_2 mov ebx, [ebx] test ebx, ebx jnz scan_list </pre>

The additional instructions to load data from one member in the modified sequence can trigger the DCU hardware prefetch mechanisms to prefetch data in the next cache line, enabling the work on the second member to complete sooner.

Software can gain from the first-level data cache prefetchers in two cases:

- If data is not in the second-level cache, the first-level data cache prefetcher enables early trigger of the second-level cache prefetcher.
- If data is in the second-level cache and not in the first-level data cache, then the first-level data cache prefetcher triggers earlier data bring-up of sequential cache line to the first-level data cache.

There are situations that software should pay attention to a potential side effect of triggering unnecessary DCU hardware prefetches. If a large data structure with many members spanning many cache lines is accessed in ways that only a few of its members are actually referenced, but there are multiple pair accesses to the same cache line. The DCU hardware prefetcher can trigger fetching of cache lines that are not needed. In Example , references to the “Pts” array and “AltPts” will trigger DCU

GENERAL OPTIMIZATION GUIDELINES

prefetch to fetch additional cache lines that won't be needed. If significant negative performance impact is detected due to DCU hardware prefetch on a portion of the code, software can try to reduce the size of that contemporaneous working set to be less than half of the L2 cache.

Example 3-42. Avoid Causing DCU Hardware Prefetch to Fetch Un-needed Lines

```
while ( CurrBond != NULL )
{
    MyATOM *a1 = CurrBond->At1 ;
    MyATOM *a2 = CurrBond->At2 ;

    if ( a1->CurrStep <= a1->LastStep &&
        a2->CurrStep <= a2->LastStep
        )
    {
        a1->CurrStep++ ;
        a2->CurrStep++ ;

        double ux = a1->Pts[0].x - a2->Pts[0].x ;
        double uy = a1->Pts[0].y - a2->Pts[0].y ;
        double uz = a1->Pts[0].z - a2->Pts[0].z ;

        a1->AuxPts[0].x += ux ;
        a1->AuxPts[0].y += uy ;
        a1->AuxPts[0].z += uz ;

        a2->AuxPts[0].x += ux ;
        a2->AuxPts[0].y += uy ;
        a2->AuxPts[0].z += uz ;
    } ;
    CurrBond = CurrBond->Next ;
};
```

To fully benefit from these prefetchers, organize and access the data using one of the following methods:

Method 1:

- Organize the data so consecutive accesses can usually be found in the same 4-KByte page.
- Access the data in constant strides forward or backward IP Prefetcher.

Method 2:

- Organize the data in consecutive lines.
- Access the data in increasing addresses, in sequential cache lines.

Example demonstrates accesses to sequential cache lines that can benefit from the first-level cache prefetcher.

Example 3-43. Technique For Using L1 Hardware Prefetch

```
unsigned int *p1, j, a, b;
for (j = 0; j < num; j += 16)
{
a = p1[j];
b = p1[j+1];
// Use these two values
}
```

By elevating the load operations from memory to the beginning of each iteration, it is likely that a significant part of the latency of the pair cache line transfer from memory to the second-level cache will be in parallel with the transfer of the first cache line.

The IP prefetcher uses only the lower 8 bits of the address to distinguish a specific address. If the code size of a loop is bigger than 256 bytes, two loads may appear similar in the lowest 8 bits and the IP prefetcher will be restricted. Therefore, if you have a loop bigger than 256 bytes, make sure that no two loads have the same lowest 8 bits in order to use the IP prefetcher.

3.7.4 Hardware Prefetching for Second-Level Cache

The Intel Core microarchitecture contains two second-level cache prefetchers:

- **Streamer** — Loads data or instructions from memory to the second-level cache. To use the streamer, organize the data or instructions in blocks of 128 bytes, aligned on 128 bytes. The first access to one of the two cache lines in this block while it is in memory triggers the streamer to prefetch the pair line. To software, the L2 streamer's functionality is similar to the adjacent cache line prefetch mechanism found in processors based on Intel NetBurst microarchitecture.
- **Data prefetch logic (DPL)** — DPL and L2 Streamer are triggered only by writeback memory type. They prefetch only inside page boundary (4 KBytes). Both L2 prefetchers can be triggered by software prefetch instructions and by prefetch request from DCU prefetchers. DPL can also be triggered by read for ownership (RFO) operations. The L2 Streamer can also be triggered by DPL requests for L2 cache misses.

Software can gain from organizing data both according to the instruction pointer and according to line strides. For example, for matrix calculations, columns can be

prefetched by IP-based prefetches, and rows can be prefetched by DPL and the L2 streamer.

3.7.5 Cacheability Instructions

SSE2 provides additional cacheability instructions that extend those provided in SSE. The new cacheability instructions include:

- new streaming store instructions
- new cache line flush instruction
- new memory fencing instructions

For more information, see Chapter 7, “Optimizing Cache Usage.”

3.7.6 REP Prefix and Data Movement

The REP prefix is commonly used with string move instructions for memory related library functions such as MEMCPY (using REP MOVSD) or MEMSET (using REP STOS). These STRING/MOV instructions with the REP prefixes are implemented in MS-ROM and have several implementation variants with different performance levels.

The specific variant of the implementation is chosen at execution time based on data layout, alignment and the counter (ECX) value. For example, MOVSB/STOSB with the REP prefix should be used with counter value less than or equal to three for best performance.

String MOVE/STORE instructions have multiple data granularities. For efficient data movement, larger data granularities are preferable. This means better efficiency can be achieved by decomposing an arbitrary counter value into a number of double-words plus single byte moves with a count value less than or equal to 3.

Because software can use SIMD data movement instructions to move 16 bytes at a time, the following paragraphs discuss general guidelines for designing and implementing high-performance library functions such as MEMCPY(), MEMSET(), and MEMMOVE(). Four factors are to be considered:

- **Throughput per iteration** — If two pieces of code have approximately identical path lengths, efficiency favors choosing the instruction that moves larger pieces of data per iteration. Also, smaller code size per iteration will in general reduce overhead and improve throughput. Sometimes, this may involve a comparison of the relative overhead of an iterative loop structure versus using REP prefix for iteration.
- **Address alignment** — Data movement instructions with highest throughput usually have alignment restrictions, or they operate more efficiently if the destination address is aligned to its natural data size. Specifically, 16-byte moves need to ensure the destination address is aligned to 16-byte boundaries, and 8-bytes moves perform better if the destination address is aligned to 8-byte

boundaries. Frequently, moving at doubleword granularity performs better with addresses that are 8-byte aligned.

- **REP string move vs. SIMD move** — Implementing general-purpose memory functions using SIMD extensions usually requires adding some prolog code to ensure the availability of SIMD instructions, preamble code to facilitate aligned data movement requirements at runtime. Throughput comparison must also take into consideration the overhead of the prolog when considering a REP string implementation versus a SIMD approach.
- **Cache eviction** — If the amount of data to be processed by a memory routine approaches half the size of the last level on-die cache, temporal locality of the cache may suffer. Using streaming store instructions (for example: MOVNTQ, MOVNTDQ) can minimize the effect of flushing the cache. The threshold to start using a streaming store depends on the size of the last level cache. Determine the size using the deterministic cache parameter leaf of CPUID.

Techniques for using streaming stores for implementing a MEMSET()-type library must also consider that the application can benefit from this technique only if it has no immediate need to reference the target addresses. This assumption is easily upheld when testing a streaming-store implementation on a micro-benchmark configuration, but violated in a full-scale application situation.

When applying general heuristics to the design of general-purpose, high-performance library routines, the following guidelines can be useful when optimizing an arbitrary counter value N and address alignment. Different techniques may be necessary for optimal performance, depending on the magnitude of N:

- When N is less than some small count (where the small count threshold will vary between microarchitectures -- empirically, 8 may be a good value when optimizing for Intel NetBurst microarchitecture), each case can be coded directly without the overhead of a looping structure. For example, 11 bytes can be processed using two MOVSD instructions explicitly and a MOVSB with REP counter equaling 3.
- When N is not small but still less than some threshold value (which may vary for different micro-architectures, but can be determined empirically), a SIMD implementation using run-time CPUID and alignment prolog will likely deliver less throughput due to the overhead of the prolog. A REP string implementation should favor using a REP string of doublewords. To improve address alignment, a small piece of prolog code using MOVSB/STOSB with a count less than 4 can be used to peel off the non-aligned data moves before starting to use MOVSD/STOSD.
- When N is less than half the size of last level cache, throughput consideration may favor either:
 - An approach using a REP string with the largest data granularity because a REP string has little overhead for loop iteration, and the branch misprediction overhead in the prolog/epilogue code to handle address alignment is amortized over many iterations.

GENERAL OPTIMIZATION GUIDELINES

- An iterative approach using the instruction with largest data granularity, where the overhead for SIMD feature detection, iteration overhead, and prolog/epilogue for alignment control can be minimized. The trade-off between these approaches may depend on the microarchitecture.

An example of MEMSET() implemented using stosd for arbitrary counter value with the destination address aligned to doubleword boundary in 32-bit mode is shown in Example 3-44.

- When N is larger than half the size of the last level cache, using 16-byte granularity streaming stores with prolog/epilog for address alignment will likely be more efficient, if the destination addresses will not be referenced immediately afterwards.

Example 3-44. REP STOSD with Arbitrary Count Size and 4-Byte-Aligned Destination

A 'C' example of Memset()	Equivalent Implementation Using REP STOSD
<pre>void memset(void *dst,int c,size_t size) { char *d = (char *)dst; size_t i; for (i=0;i<size;i++) *d++ = (char)c; }</pre>	<pre>push edi movzx eax, byte ptr [esp+12] mov ecx, eax shl ecx, 8 or ecx, eax mov ecx, eax shl ecx, 16 or eax, ecx mov edi, [esp+8] ; 4-byte aligned mov ecx, [esp+16] ; byte count shr ecx, 2 ; do dword cmp ecx, 127 jle _main test edi, 4 jz _main stosd ;peel off one dword dec ecx _main: ; 8-byte aligned rep stosd mov ecx, [esp + 16] and ecx, 3 ; do count <= 3 rep stosb ; optimal with <= 3 pop edi ret</pre>

Memory routines in the runtime library generated by Intel compilers are optimized across a wide range of address alignments, counter values, and microarchitectures. In most cases, applications should take advantage of the default memory routines provided by Intel compilers.

In some situations, the byte count of the data is known by the context (as opposed to being known by a parameter passed from a call), and one can take a simpler approach than those required for a general-purpose library routine. For example, if the byte count is also small, using REP MOVSB/STOSB with a count less than four can ensure good address alignment and loop-unrolling to finish the remaining data; using MOVSD/STOSD can reduce the overhead associated with iteration.

Using a REP prefix with string move instructions can provide high performance in the situations described above. However, using a REP prefix with string scan instructions (SCASB, SCASW, SCASD, SCASQ) or compare instructions (CMPSB, CMPSW, SMPD, SMPDQ) is not recommended for high performance. Consider using SIMD instructions instead.

3.8 FLOATING-POINT CONSIDERATIONS

When programming floating-point applications, it is best to start with a high-level programming language such as C, C++, or Fortran. Many compilers perform floating-point scheduling and optimization when it is possible. However in order to produce optimal code, the compiler may need some assistance.

3.8.1 Guidelines for Optimizing Floating-point Code

User/Source Coding Rule 13. (M impact, M generality) Enable the compiler's use of SSE, SSE2 or SSE3 instructions with appropriate switches.

Follow this procedure to investigate the performance of your floating-point application:

- Understand how the compiler handles floating-point code.
- Look at the assembly dump and see what transforms are already performed on the program.
- Study the loop nests in the application that dominate the execution time.
- Determine why the compiler is not creating the fastest code.
- See if there is a dependence that can be resolved.
- Determine the problem area: bus bandwidth, cache locality, trace cache bandwidth, or instruction latency. Focus on optimizing the problem area. For example, adding PREFETCH instructions will not help if the bus is already saturated. If trace cache bandwidth is the problem, added prefetch `μops` may degrade performance.

Also, in general, follow the general coding recommendations discussed in this chapter, including:

- Blocking the cache
- Using prefetch

GENERAL OPTIMIZATION GUIDELINES

- Enabling vectorization
- Unrolling loops

User/Source Coding Rule 14. (H impact, ML generality) Make sure your application stays in range to avoid denormal values, underflows..

Out-of-range numbers cause very high overhead.

User/Source Coding Rule 15. (M impact, ML generality) Do not use double precision unless necessary. Set the precision control (PC) field in the x87 FPU control word to “Single Precision”. This allows single precision (32-bit) computation to complete faster on some operations (for example, divides due to early out). However, be careful of introducing more than a total of two values for the floating point control word, or there will be a large performance penalty. See Section 3.8.3.

User/Source Coding Rule 16. (H impact, ML generality) Use fast float-to-int routines, FISTTP, or SSE2 instructions. If coding these routines, use the FISTTP instruction if SSE3 is available, or the CVTTSS2SI and CVTTSD2SI instructions if coding with Streaming SIMD Extensions 2.

Many libraries generate X87 code that does more work than is necessary. The FISTTP instruction in SSE3 can convert floating-point values to 16-bit, 32-bit, or 64-bit integers using truncation without accessing the floating-point control word (FCW). The instructions CVTTSS2SI and CVTTSD2SI save many μ ops and some store-forwarding delays over some compiler implementations. This avoids changing the rounding mode.

User/Source Coding Rule 17. (M impact, ML generality) Removing data dependence enables the out-of-order engine to extract more ILP from the code. When summing up the elements of an array, use partial sums instead of a single accumulator..

For example, to calculate $z = a + b + c + d$, instead of:

```
X = A + B;  
Y = X + C;  
Z = Y + D;
```

use:

```
X = A + B;  
Y = C + D;  
Z = X + Y;
```

User/Source Coding Rule 18. (M impact, ML generality) Usually, math libraries take advantage of the transcendental instructions (for example, FSIN) when evaluating elementary functions. If there is no critical need to evaluate the transcendental functions using the extended precision of 80 bits, applications should consider an alternate, software-based approach, such as a look-up-table-based algorithm using interpolation techniques. It is possible to improve

transcendental performance with these techniques by choosing the desired numeric precision and the size of the look-up table, and by taking advantage of the parallelism of the SSE and the SSE2 instructions.

3.8.2 Floating-point Modes and Exceptions

When working with floating-point numbers, high-speed microprocessors frequently must deal with situations that need special handling in hardware or code.

3.8.2.1 Floating-point Exceptions

The most frequent cause of performance degradation is the use of masked floating-point exception conditions such as:

- arithmetic overflow
- arithmetic underflow
- denormalized operand

Refer to Chapter 4 of *Intel® 64 and IA-32 Architectures Software Developer's Manual, Volume 1*, for definitions of overflow, underflow and denormal exceptions.

Denormalized floating-point numbers impact performance in two ways:

- directly when are used as operands
- indirectly when are produced as a result of an underflow situation

If a floating-point application never underflows, the denormals can only come from floating-point constants.

User/Source Coding Rule 19. (H impact, ML generality) Denormalized floating-point constants should be avoided as much as possible.

Denormal and arithmetic underflow exceptions can occur during the execution of x87 instructions or SSE/SSE2/SSE3 instructions. Processors based on Intel NetBurst microarchitecture handle these exceptions more efficiently when executing SSE/SSE2/SSE3 instructions and when speed is more important than complying with the IEEE standard. The following paragraphs give recommendations on how to optimize your code to reduce performance degradations related to floating-point exceptions.

3.8.2.2 Dealing with floating-point exceptions in x87 FPU code

Every special situation listed in Section 3.8.2.1, "Floating-point Exceptions," is costly in terms of performance. For that reason, x87 FPU code should be written to avoid these situations.

There are basically three ways to reduce the impact of overflow/underflow situations with x87 FPU code:

- Choose floating-point data types that are large enough to accommodate results without generating arithmetic overflow and underflow exceptions.
- Scale the range of operands/results to reduce as much as possible the number of arithmetic overflow/underflow situations.
- Keep intermediate results on the x87 FPU register stack until the final results have been computed and stored in memory. Overflow or underflow is less likely to happen when intermediate results are kept in the x87 FPU stack (this is because data on the stack is stored in double extended-precision format and overflow/underflow conditions are detected accordingly).
- Denormalized floating-point constants (which are read-only, and hence never change) should be avoided and replaced, if possible, with zeros of the same sign.

3.8.2.3 Floating-point Exceptions in SSE/SSE2/SSE3 Code

Most special situations that involve masked floating-point exceptions are handled efficiently in hardware. When a masked overflow exception occurs while executing SSE/SSE2/SSE3 code, processor hardware can handle it without performance penalty.

Underflow exceptions and denormalized source operands are usually treated according to the IEEE 754 specification, but this can incur significant performance delay. If a programmer is willing to trade pure IEEE 754 compliance for speed, two non-IEEE 754 compliant modes are provided to speed situations where underflows and input are frequent: FTZ mode and DAZ mode.

When the FTZ mode is enabled, an underflow result is automatically converted to a zero with the correct sign. Although this behavior is not compliant with IEEE 754, it is provided for use in applications where performance is more important than IEEE 754 compliance. Since denormal results are not produced when the FTZ mode is enabled, the only denormal floating-point numbers that can be encountered in FTZ mode are the ones specified as constants (read only).

The DAZ mode is provided to handle denormal source operands efficiently when running a SIMD floating-point application. When the DAZ mode is enabled, input denormals are treated as zeros with the same sign. Enabling the DAZ mode is the way to deal with denormal floating-point constants when performance is the objective.

If departing from the IEEE 754 specification is acceptable and performance is critical, run SSE/SSE2/SSE3 applications with FTZ and DAZ modes enabled.

NOTE

The DAZ mode is available with both the SSE and SSE2 extensions, although the speed improvement expected from this mode is fully realized only in SSE code.

3.8.3 Floating-point Modes

On the Pentium III processor, the FLDCW instruction is an expensive operation. On early generations of Pentium 4 processors, FLDCW is improved only for situations where an application alternates between two constant values of the x87 FPU control word (FCW), such as when performing conversions to integers. On Pentium M, Intel Core Solo, Intel Core Duo and Intel Core 2 Duo processors, FLDCW is improved over previous generations.

Specifically, the optimization for FLDCW in the first two generations of Pentium 4 processors allow programmers to alternate between two constant values efficiently. For the FLDCW optimization to be effective, the two constant FCW values are only allowed to differ on the following 5 bits in the FCW:

```
FCW[8-9]    ; Precision control
FCW[10-11]  ; Rounding control
FCW[12]     ; Infinity control
```

If programmers need to modify other bits (for example: mask bits) in the FCW, the FLDCW instruction is still an expensive operation.

In situations where an application cycles between three (or more) constant values, FLDCW optimization does not apply, and the performance degradation occurs for each FLDCW instruction.

One solution to this problem is to choose two constant FCW values, take advantage of the optimization of the FLDCW instruction to alternate between only these two constant FCW values, and devise some means to accomplish the task that requires the 3rd FCW value without actually changing the FCW to a third constant value. An alternative solution is to structure the code so that, for periods of time, the application alternates between only two constant FCW values. When the application later alternates between a pair of different FCW values, the performance degradation occurs only during the transition.

It is expected that SIMD applications are unlikely to alternate between FTZ and DAZ mode values. Consequently, the SIMD control word does not have the short latencies that the floating-point control register does. A read of the MXCSR register has a fairly long latency, and a write to the register is a serializing instruction.

There is no separate control word for single and double precision; both use the same modes. Notably, this applies to both FTZ and DAZ modes.

Assembly/Compiler Coding Rule 59. (H impact, M generality) *Minimize changes to bits 8-12 of the floating point control word. Changes for more than two values (each value being a combination of the following bits: precision, rounding and infinity control, and the rest of bits in FCW) leads to delays that are on the order of the pipeline depth.*

3.8.3.1 Rounding Mode

Many libraries provide float-to-integer library routines that convert floating-point values to integer. Many of these libraries conform to ANSI C coding standards which

state that the rounding mode should be truncation. With the Pentium 4 processor, one can use the CVTTSD2SI and CVTTSS2SI instructions to convert operands with truncation without ever needing to change rounding modes. The cost savings of using these instructions over the methods below is enough to justify using SSE and SSE2 wherever possible when truncation is involved.

For x87 floating point, the FIST instruction uses the rounding mode represented in the floating-point control word (FCW). The rounding mode is generally “round to nearest”, so many compiler writers implement a change in the rounding mode in the processor in order to conform to the C and FORTRAN standards. This implementation requires changing the control word on the processor using the FLDCW instruction. For a change in the rounding, precision, and infinity bits, use the FSTCW instruction to store the floating-point control word. Then use the FLDCW instruction to change the rounding mode to truncation.

In a typical code sequence that changes the rounding mode in the FCW, a FSTCW instruction is usually followed by a load operation. The load operation from memory should be a 16-bit operand to prevent store-forwarding problem. If the load operation on the previously-stored FCW word involves either an 8-bit or a 32-bit operand, this will cause a store-forwarding problem due to mismatch of the size of the data between the store operation and the load operation.

To avoid store-forwarding problems, make sure that the write and read to the FCW are both 16-bit operations.

If there is more than one change to the rounding, precision, and infinity bits, and the rounding mode is not important to the result, use the algorithm in Example 3-45 to avoid synchronization issues, the overhead of the FLDCW instruction, and having to change the rounding mode. Note that the example suffers from a store-forwarding problem which will lead to a performance penalty. However, its performance is still better than changing the rounding, precision, and infinity bits among more than two values.

Example 3-45. Algorithm to Avoid Changing Rounding Mode

```

_fto132proc
  lea   ecx, [esp-8]
  sub   esp, 16           ; Allocate frame
  and   ecx, -8          ; Align pointer on boundary of 8
  fld   st(0)            ; Duplicate FPU stack top

  fistp qword ptr[ecx]
  fild  qword ptr[ecx]
  mov   edx, [ecx+4]     ; High DWORD of integer
  mov   eax, [ecx]       ; Low DWIRD of integer
  test  eax, eax
  je    integer_QNaN_or_zero

```

Example 3-45. Algorithm to Avoid Changing Rounding Mode (Contd.)

```

arg_is_not_integer_QNaN:
    fsubp    st(1), st          ; TOS=d-round(d), { st(1) = st(1)-st & pop ST}
    test     edx, edx          ; What's sign of integer
    jns      positive          ; Number is negative
    fstp     dword ptr[ecx]    ; Result of subtraction
    mov      ecx, [ecx]        ; DWORD of diff(single-precision)
    add      esp, 16
    xor      ecx, 80000000h
    add      ecx, 7fffffffh    ; If diff<0 then decrement integer
    adc      eax, 0            ; INC EAX (add CARRY flag)
    ret

positive:
    positive:
    fstp     dword ptr[ecx]    ; 17-18 result of subtraction
    mov      ecx, [ecx]        ; DWORD of diff(single precision)
    add      esp, 16
    add      ecx, 7fffffffh    ; If diff<0 then decrement integer
    sbb     eax, 0            ; DEC EAX (subtract CARRY flag)
    ret

integer_QNaN_or_zero:
    test     edx, 7fffffffh
    jnz      arg_is_not_integer_QNaN
    add     esp, 16
    ret

```

Assembly/Compiler Coding Rule 60. (H impact, L generality) *Minimize the number of changes to the rounding mode. Do not use changes in the rounding mode to implement the floor and ceiling functions if this involves a total of more than two values of the set of rounding, precision, and infinity bits.*

3.8.3.2 Precision

If single precision is adequate, use it instead of double precision. This is true because:

- Single precision operations allow the use of longer SIMD vectors, since more single precision data elements can fit in a register.
- If the precision control (PC) field in the x87 FPU control word is set to single precision, the floating-point divider can complete a single-precision computation much faster than either a double-precision computation or an extended double-precision computation. If the PC field is set to double precision, this will enable those x87 FPU operations on double-precision data to complete faster than

extended double-precision computation. These characteristics affect computations including floating-point divide and square root.

Assembly/Compiler Coding Rule 61. (H impact, L generality) *Minimize the number of changes to the precision mode.*

3.8.3.3 Improving Parallelism and the Use of FXCH

The x87 instruction set relies on the floating point stack for one of its operands. If the dependence graph is a tree, which means each intermediate result is used only once and code is scheduled carefully, it is often possible to use only operands that are on the top of the stack or in memory, and to avoid using operands that are buried under the top of the stack. When operands need to be pulled from the middle of the stack, an FXCH instruction can be used to swap the operand on the top of the stack with another entry in the stack.

The FXCH instruction can also be used to enhance parallelism. Dependent chains can be overlapped to expose more independent instructions to the hardware scheduler. An FXCH instruction may be required to effectively increase the register name space so that more operands can be simultaneously live.

In processors based on Intel NetBurst microarchitecture, however, that FXCH inhibits issue bandwidth in the trace cache. It does this not only because it consumes a slot, but also because of issue slot restrictions imposed on FXCH. If the application is not bound by issue or retirement bandwidth, FXCH will have no impact.

The effective instruction window size in processors based on Intel NetBurst microarchitecture is large enough to permit instructions that are as far away as the next iteration to be overlapped. This often obviates the need to use FXCH to enhance parallelism.

The FXCH instruction should be used only when it's needed to express an algorithm or to enhance parallelism. If the size of register name space is a problem, the use of XMM registers is recommended.

Assembly/Compiler Coding Rule 62. (M impact, M generality) *Use FXCH only where necessary to increase the effective name space.*

This in turn allows instructions to be reordered and made available for execution in parallel. Out-of-order execution precludes the need for using FXCH to move instructions for very short distances.

3.8.4 x87 vs. Scalar SIMD Floating-point Trade-offs

There are a number of differences between x87 floating-point code and scalar floating-point code (using SSE and SSE2). The following differences should drive decisions about which registers and instructions to use:

- When an input operand for a SIMD floating-point instruction contains values that are less than the representable range of the data type, a denormal exception occurs. This causes a significant performance penalty. An SIMD floating-point

operation has a flush-to-zero mode in which the results will not underflow. Therefore subsequent computation will not face the performance penalty of handling denormal input operands. For example, in the case of 3D applications with low lighting levels, using flush-to-zero mode can improve performance by as much as 50% for applications with large numbers of underflows.

- Scalar floating-point SIMD instructions have lower latencies than equivalent x87 instructions. Scalar SIMD floating-point multiply instruction may be pipelined, while x87 multiply instruction is not.
- Only x87 supports transcendental instructions.
- x87 supports 80-bit precision, double extended floating point. SSE support a maximum of 32-bit precision. SSE2 supports a maximum of 64-bit precision.
- Scalar floating-point registers may be accessed directly, avoiding FXCH and top-of-stack restrictions.
- The cost of converting from floating point to integer with truncation is significantly lower with Streaming SIMD Extensions 2 and Streaming SIMD Extensions in the processors based on Intel NetBurst microarchitecture than with either changes to the rounding mode or the sequence prescribed in the Example 3-45.

Assembly/Compiler Coding Rule 63. (M impact, M generality) *Use Streaming SIMD Extensions 2 or Streaming SIMD Extensions unless you need an x87 feature. Most SSE2 arithmetic operations have shorter latency than their X87 counterpart and they eliminate the overhead associated with the management of the X87 register stack.*

3.8.4.1 Scalar SSE/SSE2 Performance on Intel Core Solo and Intel Core Duo Processors

On Intel Core Solo and Intel Core Duo processors, the combination of improved decoding and μ op fusion allows instructions which were formerly two, three, and four μ ops to go through all decoders. As a result, scalar SSE/SSE2 code can match the performance of x87 code executing through two floating-point units. On Pentium M processors, scalar SSE/SSE2 code can experience approximately 30% performance degradation relative to x87 code executing through two floating-point units.

In code sequences that have conversions from floating-point to integer, divide single-precision instructions, or any precision change, x87 code generation from a compiler typically writes data to memory in single-precision and reads it again in order to reduce precision. Using SSE/SSE2 scalar code instead of x87 code can generate a large performance benefit using Intel NetBurst microarchitecture and a modest benefit on Intel Core Solo and Intel Core Duo processors.

Recommendation: Use the compiler switch to generate SSE2 scalar floating-point code rather than x87 code.

When working with scalar SSE/SSE2 code, pay attention to the need for clearing the content of unused slots in an XMM register and the associated performance impact.

GENERAL OPTIMIZATION GUIDELINES

For example, loading data from memory with MOVSS or MOVSD causes an extra micro-op for zeroing the upper part of the XMM register.

On Pentium M, Intel Core Solo, and Intel Core Duo processors, this penalty can be avoided by using MOVLPD. However, using MOVLPD causes a performance penalty on Pentium 4 processors.

Another situation occurs when mixing single-precision and double-precision code. On processors based on Intel NetBurst microarchitecture, using CVTSS2SD has performance penalty relative to the alternative sequence:

```
XORPS    XMM1, XMM1
MOVSS    XMM1, XMM2
CVTSS2PD XMM1, XMM1
```

On Intel Core Solo and Intel Core Duo processors, using CVTSS2SD is more desirable than the alternative sequence.

3.8.4.2 x87 Floating-point Operations with Integer Operands

For processors based on Intel NetBurst microarchitecture, splitting floating-point operations (FIADD, FISUB, FIMUL, and FIDIV) that take 16-bit integer operands into two instructions (FILD and a floating-point operation) is more efficient. However, for floating-point operations with 32-bit integer operands, using FIADD, FISUB, FIMUL, and FIDIV is equally efficient compared with using separate instructions.

Assembly/Compiler Coding Rule 64. (M impact, L generality) *Try to use 32-bit operands rather than 16-bit operands for FILD. However, do not do so at the expense of introducing a store-forwarding problem by writing the two halves of the 32-bit memory operand separately.*

3.8.4.3 x87 Floating-point Comparison Instructions

The FCOMI and FCMOV instructions should be used when performing x87 floating-point comparisons. Using the FCOM, FCOMP, and FCOMPP instructions typically requires additional instruction like FSTSW. The latter alternative causes more μ ops to be decoded, and should be avoided.

3.8.4.4 Transcendental Functions

If an application needs to emulate math functions in software for performance or other reasons (see Section 3.8.1, “Guidelines for Optimizing Floating-point Code”), it may be worthwhile to inline math library calls because the CALL and the prologue/epilogue involved with such calls can significantly affect the latency of operations.

Note that transcendental functions are supported only in x87 floating point, not in Streaming SIMD Extensions or Streaming SIMD Extensions 2.

CHAPTER 4

CODING FOR SIMD ARCHITECTURES

Intel Pentium 4, Intel Xeon and Pentium M processors include support for Streaming SIMD Extensions 2 (SSE2), Streaming SIMD Extensions technology (SSE), and MMX technology. In addition, Streaming SIMD Extensions 3 (SSE3) were introduced with the Pentium 4 processor supporting Hyper-Threading Technology at 90 nm technology.

Intel Core Solo and Intel Core Duo processors support SSE3/SSE2/SSE, and MMX. Processors based on Intel Core microarchitecture supports MMX, SSE, SSE2, SSE3, and SSSE3. Single-instruction, multiple-data (SIMD) technologies enable the development of advanced multimedia, signal processing, and modeling applications.

To take advantage of the performance opportunities presented by these capabilities, do the following:

- Ensure that the processor supports MMX technology, Streaming SIMD Extensions, Streaming SIMD Extensions 2, Streaming SIMD Extensions 3, and Supplemental Streaming SIMD Extensions 3.
- Ensure that the operating system supports MMX technology and SSE (OS support for SSE2, SSE3 and SSSE3 is the same as OS support for SSE).
- Employ the optimization and scheduling strategies described in this book.
- Use stack and data alignment techniques to keep data properly aligned for efficient memory use.
- Utilize the cacheability instructions offered by SSE and SSE2, where appropriate.

4.1 CHECKING FOR PROCESSOR SUPPORT OF SIMD TECHNOLOGIES

This section shows how to check whether a processor supports MMX technology, SSE, SSE2, or SSE3.

SIMD technology can be included in your application in three ways:

1. Check for the SIMD technology during installation. If the desired SIMD technology is available, the appropriate DLLs can be installed.
2. Check for the SIMD technology during program execution and install the proper DLLs at runtime. This is effective for programs that may be executed on different machines.
3. Create a “fat” binary that includes multiple versions of routines; versions that use SIMD technology and versions that do not. Check for SIMD technology during

program execution and run the appropriate versions of the routines. This is especially effective for programs that may be executed on different machines.

4.1.1 Checking for MMX Technology Support

If MMX technology is available, then CPUID.01H:EDX[BIT 23] = 1. Use the code segment in Example 4-1 to test for MMX technology.

Example 4-1. Identification of MMX Technology with CPUID

```

...identify existence of cpuid instruction
...                               ;
...                               ; Identify signature is genuine Intel
...                               ;
mov eax, 1                        ; Request for feature flags
cpuid                             ; 0FH, 0A2H CPUID instruction
test edx, 00800000h              ; Is MMX technology bit (bit 23) in feature flags equal to 1
jnz    Found

```

For more information on CPUID see, *Intel® Processor Identification with CPUID Instruction*, order number 241618.

4.1.2 Checking for Streaming SIMD Extensions Support

Checking for support of Streaming SIMD Extensions (SSE) on your processor is like checking for MMX technology. However, you must also check whether your operating system (OS) supports SSE. This is because the OS needs to manage saving and restoring the state introduced by SSE for your application to properly function.

To check whether your system supports SSE, follow these steps:

1. Check that your processor supports the CPUID instruction.
2. Check the feature bits of CPUID for SSE existence.
3. Check for OS support for SSE.

Example 4-2 shows how to find the SSE feature bit (bit 25) in CPUID feature flags.

Example 4-2. Identification of SSE with CPUID

```

...Identify existence of cpuid instruction
                                ; Identify signature is genuine intel
mov eax, 1                       ; Request for feature flags
cpuid                             ; 0FH, 0A2H cpuid instruction
test EDX, 002000000h             ; Bit 25 in feature flags equal to 1
jnz         Found

```

To find out whether the operating system supports SSE, execute an SSE instruction and trap for an exception if one occurs. Catching the exception in a simple try/except clause (using structured exception handling in C++) and checking whether the exception code is an invalid opcode will give you the answer. See Example 4-3.

Example 4-3. Identification of SSE by the OS

```

bool OSSupportCheck() {
    _try {
        __asm xorps xmm0, xmm0 ;Streaming SIMD Extension
    }
    _except(EXCEPTION_EXECUTE_HANDLER) {
        if (_exception_code()==STATUS_ILLEGAL_INSTRUCTION)
            /* SSE not supported */
            return (false);
    }
    /* SSE are supported by OS */
    return (true);
}

```

4.1.3 Checking for Streaming SIMD Extensions 2 Support

Checking for support of SSE2 is like checking for SSE support. You must also check whether your operating system (OS) supports SSE. The OS requirements for SSE2 Support are the same as the requirements for SSE.

To check whether your system supports SSE2, follow these steps:

1. Check that your processor has the CPUID instruction.
2. Check the feature bits of CPUID for SSE2 technology existence.
3. Check for OS support for SSE.

Example 4-4 shows how to find the SSE2 feature bit (bit 26) in the CPUID feature flags.

Example 4-4. Identification of SSE2 with cpuid

```

...identify existence of cpuid instruction
...                               ; Identify signature is genuine intel
mov eax, 1                         ; Request for feature flags
cpuid                              ; 0FH, 0A2H CPUID instruction
test EDX, 00400000h                ; Bit 26 in feature flags equal to 1
jnz Found

```

SSE2 requires the same support from the operating system as SSE. To find out whether the operating system supports SSE2, execute an SSE2 instruction and trap for an exception if one occurs. Catching the exception in a simple try/except clause (using structured exception handling in C++) and checking whether the exception code is an invalid opcode will give you the answer. See Example 4-5.

Example 4-5. Identification of SSE2 by the OS

```

bool OSSupportCheck() {
    _try {
        __asm xorpd xmm0, xmm0 ; SSE2}
    _except(EXCEPTION_EXECUTE_HANDLER) {
        if _exception_code()==STATUS_ILLEGAL_INSTRUCTION)
            /* SSE2not supported */
            return (false);
    }
    /* SSE2 are supported by OS */
    return (true);
}

```

4.1.4 Checking for Streaming SIMD Extensions 3 Support

SSE3 includes 13 instructions, 11 of those are suited for SIMD or x87 style programming. Checking for support of SSE3 instructions is similar to checking for SSE support. You must also check whether your operating system (OS) supports SSE. The OS requirements for SSE3 Support are the same as the requirements for SSE.

To check whether your system supports the x87 and SIMD instructions of SSE3, follow these steps:

1. Check that your processor has the CPUID instruction.
2. Check the ECX feature bit 0 of CPUID for SSE3 technology existence.
3. Check for OS support for SSE.

Example 4-6 shows how to find the SSE3 feature bit (bit 0 of ECX) in the CPUID feature flags.

Example 4-6. Identification of SSE3 with CPUID

```

...identify existence of cpuid instruction
...                ; Identify signature is genuine intel
mov eax, 1         ; Request for feature flags
cpuid              ; 0FH, 0A2H CPUID instruction
test ECX, 00000001h ; Bit 0 in feature flags equal to 1
jnz    Found

```

SSE3 requires the same support from the operating system as SSE. To find out whether the operating system supports SSE3 (FISTTP and 10 of the SIMD instructions in SSE3), execute an SSE3 instruction and trap for an exception if one occurs. Catching the exception in a simple try/except clause (using structured exception handling in C++) and checking whether the exception code is an invalid opcode will give you the answer. See Example 4-7.

Detecting the availability of MONITOR and MWAIT can be done using a code sequence similar to Example 4-6. The availability of MONITOR and MWAIT is indicated by bit 3 of the returned value in ECX.

Software must check for support of MONITOR and MWAIT before attempting to use MONITOR and MWAIT. Checking for support can be done by executing the MONITOR execution and trap for an exception. See Example 4-7.

Example 4-7. Identification of SSE3 by the OS

```

bool SSE3_SIMD_SupportCheck() {
    _try {
        __asm ADDSUBPD XMM0, XMM0 ; SSE3}
    _except(EXCEPTION_EXECUTE_HANDLER) {
        if _exception_code()==STATUS_ILLEGAL_INSTRUCTION)
            /* SSE3 not supported */
            RETURN (false);
    }
    /* SSE3 SIMD and FISTTP instructions are supported */
    RETURN (true);
}

```

4.1.5 Checking for Supplemental Streaming SIMD Extensions 3 Support

Checking for support of SSSE3 is similar to checking for SSE support. Software must also check whether your operating system (OS) supports SSE. The OS requirements for SSSE3 Support are the same as the requirements for SSE.

To check whether your system supports SSSE3, follow these steps:

1. Check that your processor has the CPUID instruction.
2. Check the feature bits of CPUID for SSSE3 technology existence.
3. Check for OS support for SSE.

Example 4-8 shows how to find the SSSE3 feature bit in the CPUID feature flags.

Example 4-8. Identification of SSSE3 with cpuid

```

...Identify existence of CPUID instruction
...                ; Identify signature is genuine intel
mov eax, 1         ; Request for feature flags
cpuid              ; 0FH, 0A2H CPUID instruction
test ECX, 000000200h ; ECX bit 9
jnz    Found

```

SSSE3 requires the same support from the operating system as SSE. To find out whether the operating system supports SSSE3, execute an SSSE3 instruction and trap for an exception if one occurs. Catching the exception in a simple try/except clause (using structured exception handling in C++) and checking whether the exception code is an invalid opcode will give you the answer. See Example 4-9.

Example 4-9. Identification of SSSE3 by the OS

```

bool OSSupportCheck() {
    _try {
        __asm phaddw xmm0, xmm0 ; SSSE3}
    _except(EXCEPTION_EXECUTE_HANDLER) {
        if _exception_code()==STATUS_ILLEGAL_INSTRUCTION)
            /* SSSE3 not supported */
            return (false);
    }
    /* SSSE3 supported by OS */
    return (true);
}

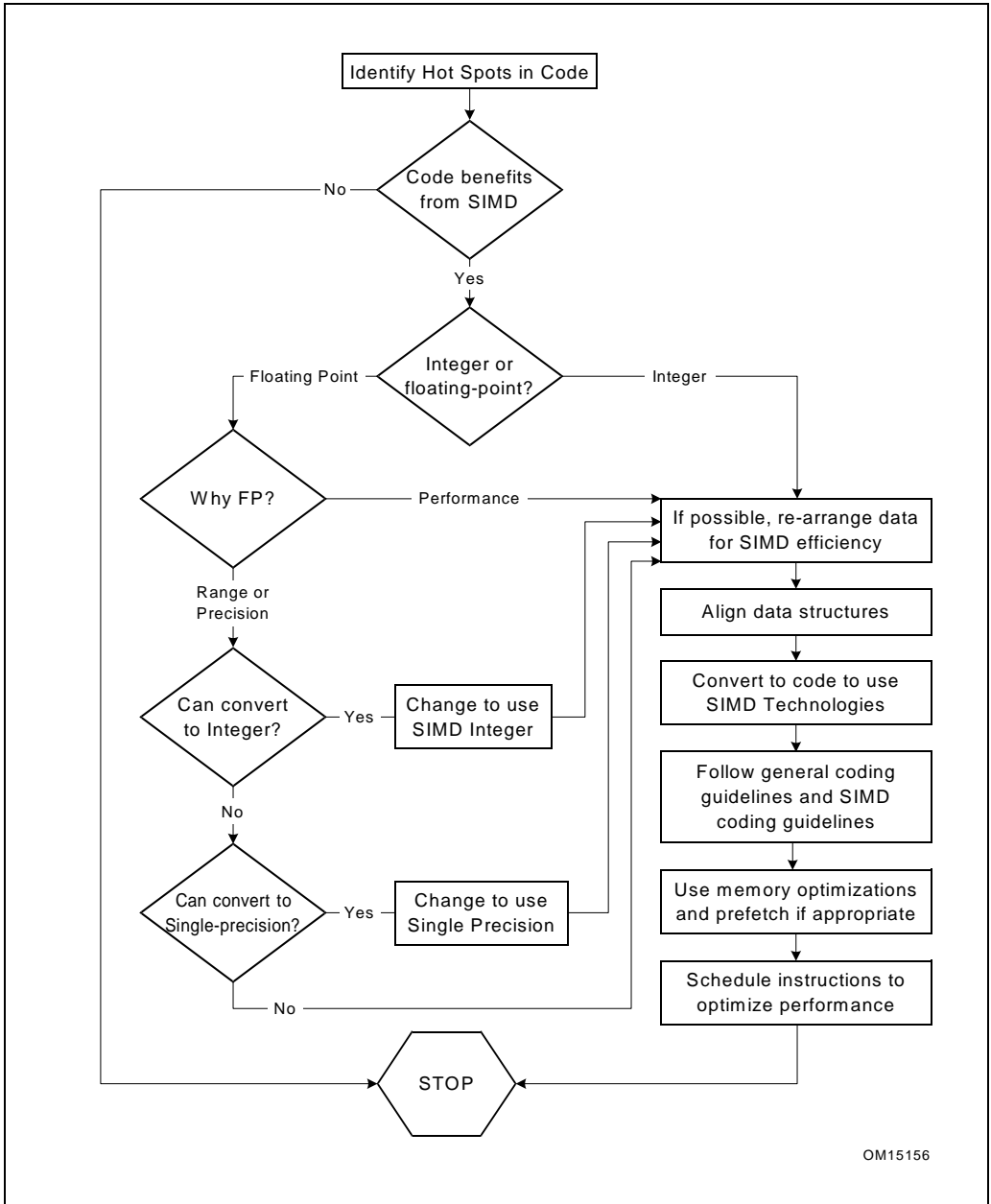
```

4.2 CONSIDERATIONS FOR CODE CONVERSION TO SIMD PROGRAMMING

The VTune Performance Enhancement Environment CD provides tools to aid in the evaluation and tuning. Before implementing them, you need answers to the following questions:

1. Will the current code benefit by using MMX technology, Streaming SIMD Extensions, Streaming SIMD Extensions 2, Streaming SIMD Extensions 3, or Supplemental Streaming SIMD Extensions 3?
2. Is this code integer or floating-point?
3. What integer word size or floating-point precision is needed?
4. What coding techniques should I use?
5. What guidelines do I need to follow?
6. How should I arrange and align the datatypes?

Figure 4-1 provides a flowchart for the process of converting code to MMX technology, SSE, SSE2, SSE3, or SSSE3.



OM15156

Figure 4-1. Converting to Streaming SIMD Extensions Chart

To use any of the SIMD technologies optimally, you must evaluate the following situations in your code:

- Fragments that are computationally intensive
- Fragments that are executed often enough to have an impact on performance
- Fragments that with little data-dependent control flow
- Fragments that require floating-point computations
- Fragments that can benefit from moving data 16 bytes at a time
- Fragments of computation that can coded using fewer instructions
- Fragments that require help in using the cache hierarchy efficiently

4.2.1 Identifying Hot Spots

To optimize performance, use the VTune Performance Analyzer to find sections of code that occupy most of the computation time. Such sections are called the hotspots. See Appendix A, “Application Performance Tools.”

The VTune analyzer provides a hotspots view of a specific module to help you identify sections in your code that take the most CPU time and that have potential performance problems. The hotspots view helps you identify sections in your code that take the most CPU time and that have potential performance problems.

The VTune analyzer enables you to change the view to show hotspots by memory location, functions, classes, or source files. You can double-click on a hotspot and open the source or assembly view for the hotspot and see more detailed information about the performance of each instruction in the hotspot.

The VTune analyzer offers focused analysis and performance data at all levels of your source code and can also provide advice at the assembly language level. The code coach analyzes and identifies opportunities for better performance of C/C++, Fortran and Java* programs, and suggests specific optimizations. Where appropriate, the coach displays pseudo-code to suggest the use of highly optimized intrinsics and functions in the Intel® Performance Library Suite. Because VTune analyzer is designed specifically for Intel architecture (IA)-based processors, including the Pentium 4 processor, it can offer detailed approaches to working with IA. See Appendix A.1.1, “Recommended Optimization Settings for Intel 64 and IA-32 Processors,” for details.

4.2.2 Determine If Code Benefits by Conversion to SIMD Execution

Identifying code that benefits by using SIMD technologies can be time-consuming and difficult. Likely candidates for conversion are applications that are highly computation intensive, such as the following:

- Speech compression algorithms and filters
- Speech recognition algorithms

- Video display and capture routines
- Rendering routines
- 3D graphics (geometry)
- Image and video processing algorithms
- Spatial (3D) audio
- Physical modeling (graphics, CAD)
- Workstation applications
- Encryption algorithms
- Complex arithmetics

Generally, good candidate code is code that contains small-sized repetitive loops that operate on sequential arrays of integers of 8, 16 or 32 bits, single-precision 32-bit floating-point data, double precision 64-bit floating-point data (integer and floating-point data items should be sequential in memory). The repetitiveness of these loops incurs costly application processing time. However, these routines have potential for increased performance when you convert them to use one of the SIMD technologies.

Once you identify your opportunities for using a SIMD technology, you must evaluate what should be done to determine whether the current algorithm or a modified one will ensure the best performance.

4.3 CODING TECHNIQUES

The SIMD features of SSE3, SSE2, SSE, and MMX technology require new methods of coding algorithms. One of them is vectorization. Vectorization is the process of transforming sequentially-executing, or scalar, code into code that can execute in parallel, taking advantage of the SIMD architecture parallelism. This section discusses the coding techniques available for an application to make use of the SIMD architecture.

To vectorize your code and thus take advantage of the SIMD architecture, do the following:

- Determine if the memory accesses have dependencies that would prevent parallel execution.
- “Strip-mine” the inner loop to reduce the iteration count by the length of the SIMD operations (for example, four for single-precision floating-point SIMD, eight for 16-bit integer SIMD on the XMM registers).
- Re-code the loop with the SIMD instructions.

Each of these actions is discussed in detail in the subsequent sections of this chapter. These sections also discuss enabling automatic vectorization using the Intel C++ Compiler.

4.3.1 Coding Methodologies

Software developers need to compare the performance improvement that can be obtained from assembly code versus the cost of those improvements. Programming directly in assembly language for a target platform may produce the required performance gain, however, assembly code is not portable between processor architectures and is expensive to write and maintain.

Performance objectives can be met by taking advantage of the different SIMD technologies using high-level languages as well as assembly. The new C/C++ language extensions designed specifically for SSSE3, SSE3, SSE2, SSE, and MMX technology help make this possible.

Figure 4-2 illustrates the trade-offs involved in the performance of hand-coded assembly versus the ease of programming and portability.

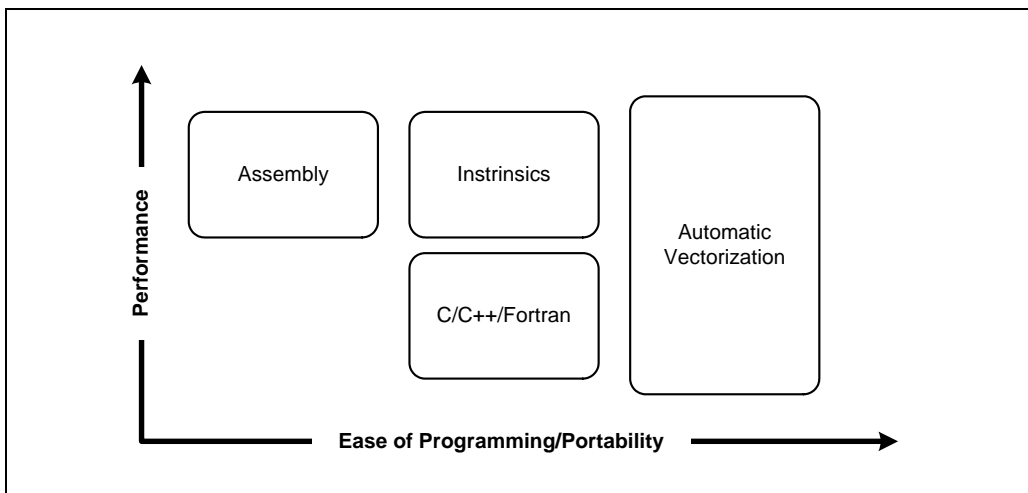


Figure 4-2. Hand-Coded Assembly and High-Level Compiler Performance Trade-offs

The examples that follow illustrate the use of coding adjustments to enable the algorithm to benefit from the SSE. The same techniques may be used for single-precision floating-point, double-precision floating-point, and integer data under SSSE3, SSE3, SSE2, SSE, and MMX technology.

As a basis for the usage model discussed in this section, consider a simple loop shown in Example 4-10.

Example 4-10. Simple Four-Iteration Loop

```
void add(float *a, float *b, float *c)
{
  int i;
  for (i = 0; i < 4; i++) {
    c[i] = a[i] + b[i];
  }
}
```

Note that the loop runs for only four iterations. This allows a simple replacement of the code with Streaming SIMD Extensions.

For the optimal use of the Streaming SIMD Extensions that need data alignment on the 16-byte boundary, all examples in this chapter assume that the arrays passed to the routine, *A*, *B*, *C*, are aligned to 16-byte boundaries by a calling routine. For the methods to ensure this alignment, please refer to the application notes for the Pentium 4 processor.

The sections that follow provide details on the coding methodologies: inlined assembly, intrinsics, C++ vector classes, and automatic vectorization.

4.3.1.1 Assembly

Key loops can be coded directly in assembly language using an assembler or by using inlined assembly (C-asm) in C/C++ code. The Intel compiler or assembler recognize the new instructions and registers, then directly generate the corresponding code. This model offers the opportunity for attaining greatest performance, but this performance is not portable across the different processor architectures.

Example 4-11 shows the Streaming SIMD Extensions inlined assembly encoding.

Example 4-11. Streaming SIMD Extensions Using Inlined Assembly Encoding

```
void add(float *a, float *b, float *c)
{
  __asm {
    mov  eax, a
    mov  edx, b
    mov  ecx, c
    movaps xmm0, XMMWORD PTR [eax]
    addps  xmm0, XMMWORD PTR [edx]
    movaps XMMWORD PTR [ecx], xmm0
  }
}
```

4.3.1.2 Intrinsics

Intrinsics provide the access to the ISA functionality using C/C++ style coding instead of assembly language. Intel has defined three sets of intrinsic functions that are implemented in the Intel C++ Compiler to support the MMX technology, Streaming SIMD Extensions and Streaming SIMD Extensions 2. Four new C data types, representing 64-bit and 128-bit objects are used as the operands of these intrinsic functions. `__M64` is used for MMX integer SIMD, `__M128` is used for single-precision floating-point SIMD, `__M128i` is used for Streaming SIMD Extensions 2 integer SIMD, and `__M128D` is used for double precision floating-point SIMD. These types enable the programmer to choose the implementation of an algorithm directly, while allowing the compiler to perform register allocation and instruction scheduling where possible. The intrinsics are portable among all Intel architecture-based processors supported by a compiler.

The use of intrinsics allows you to obtain performance close to the levels achievable with assembly. The cost of writing and maintaining programs with intrinsics is considerably less. For a detailed description of the intrinsics and their use, refer to the Intel C++ Compiler documentation.

Example 4-12 shows the loop from Example 4-10 using intrinsics.

Example 4-12. Simple Four-Iteration Loop Coded with Intrinsics

```
#include <xmmintrin.h>
void add(float *a, float *b, float *c)
{
    __m128 t0, t1;
    t0 = _mm_load_ps(a);
    t1 = _mm_load_ps(b);
    t0 = _mm_add_ps(t0, t1);
    _mm_store_ps(c, t0);
}
```

The intrinsics map one-to-one with actual Streaming SIMD Extensions assembly code. The XMMINTRIN.H header file in which the prototypes for the intrinsics are defined is part of the Intel C++ Compiler included with the VTune Performance Enhancement Environment CD.

Intrinsics are also defined for the MMX technology ISA. These are based on the `__m64` data type to represent the contents of an mm register. You can specify values in bytes, short integers, 32-bit values, or as a 64-bit object.

The intrinsic data types, however, are not a basic ANSI C data type, and therefore you must observe the following usage restrictions:

- Use intrinsic data types only on the left-hand side of an assignment as a return value or as a parameter. You cannot use it with other arithmetic expressions (for example, "+", ">>").
- Use intrinsic data type objects in aggregates, such as unions to access the byte elements and structures; the address of an `__M64` object may be also used.
- Use intrinsic data type data only with the MMX technology intrinsics described in this guide.

For complete details of the hardware instructions, see the *Intel Architecture MMX Technology Programmer's Reference Manual*. For a description of data types, see the *Intel® 64 and IA-32 Architectures Software Developer's Manual*.

4.3.1.3 Classes

A set of C++ classes has been defined and available in Intel C++ Compiler to provide both a higher-level abstraction and more flexibility for programming with MMX technology, Streaming SIMD Extensions and Streaming SIMD Extensions 2. These classes provide an easy-to-use and flexible interface to the intrinsic functions, allowing developers to write more natural C++ code without worrying about which intrinsic or assembly language instruction to use for a given operation. Since the intrinsic functions underlie the implementation of these C++ classes, the perfor-

mance of applications using this methodology can approach that of one using the intrinsics. Further details on the use of these classes can be found in the *Intel C++ Class Libraries for SIMD Operations User's Guide*, order number 693500.

Example 4-13 shows the C++ code using a vector class library. The example assumes the arrays passed to the routine are already aligned to 16-byte boundaries.

Example 4-13. C++ Code Using the Vector Classes

```
#include <fvec.h>
void add(float *a, float *b, float *c)
{
    F32vec4 *av=(F32vec4 *) a;
    F32vec4 *bv=(F32vec4 *) b;
    F32vec4 *cv=(F32vec4 *) c;
    *cv=*av + *bv;
}
```

Here, `fvec.h` is the class definition file and `F32vec4` is the class representing an array of four floats. The “+” and “=” operators are overloaded so that the actual Streaming SIMD Extensions implementation in the previous example is abstracted out, or hidden, from the developer. Note how much more this resembles the original code, allowing for simpler and faster programming.

Again, the example is assuming the arrays, passed to the routine, are already aligned to 16-byte boundary.

4.3.1.4 Automatic Vectorization

The Intel C++ Compiler provides an optimization mechanism by which loops, such as in Example 4-10 can be automatically vectorized, or converted into Streaming SIMD Extensions code. The compiler uses similar techniques to those used by a programmer to identify whether a loop is suitable for conversion to SIMD. This involves determining whether the following might prevent vectorization:

- The layout of the loop and the data structures used
- Dependencies amongst the data accesses in each iteration and across iterations

Once the compiler has made such a determination, it can generate vectorized code for the loop, allowing the application to use the SIMD instructions.

The caveat to this is that only certain types of loops can be automatically vectorized, and in most cases user interaction with the compiler is needed to fully enable this.

Example 4-14 shows the code for automatic vectorization for the simple four-iteration loop (from Example 4-10).

Example 4-14. Automatic Vectorization for a Simple Loop

```
void add (float *restrict a,
         float *restrict b,
         float *restrict c)
{
    int i;
    for (i = 0; i < 4; i++) {
        c[i] = a[i] + b[i];
    }
}
```

Compile this code using the `-QAX` and `-QRESTRICT` switches of the Intel C++ Compiler, version 4.0 or later.

The `RESTRICT` qualifier in the argument list is necessary to let the compiler know that there are no other aliases to the memory to which the pointers point. In other words, the pointer for which it is used, provides the only means of accessing the memory in question in the scope in which the pointers live. Without the `restrict` qualifier, the compiler will still vectorize this loop using runtime data dependence testing, where the generated code dynamically selects between sequential or vector execution of the loop, based on overlap of the parameters (See documentation for the Intel C++ Compiler). The `restrict` keyword avoids the associated overhead altogether.

See Intel C++ Compiler documentation for details.

4.4 STACK AND DATA ALIGNMENT

To get the most performance out of code written for SIMD technologies data should be formatted in memory according to the guidelines described in this section. Assembly code with an unaligned accesses is a lot slower than an aligned access.

4.4.1 Alignment and Contiguity of Data Access Patterns

The 64-bit packed data types defined by MMX technology, and the 128-bit packed data types for Streaming SIMD Extensions and Streaming SIMD Extensions 2 create more potential for misaligned data accesses. The data access patterns of many algorithms are inherently misaligned when using MMX technology and Streaming SIMD Extensions. Several techniques for improving data access, such as padding, organizing data elements into arrays, etc. are described below. SSE3 provides a special-

purpose instruction LDDQU that can avoid cache line splits is discussed in Section 5.7.1.1, “Supplemental Techniques for Avoiding Cache Line Splits.”

4.4.1.1 Using Padding to Align Data

However, when accessing SIMD data using SIMD operations, access to data can be improved simply by a change in the declaration. For example, consider a declaration of a structure, which represents a point in space plus an attribute.

```
typedef struct {short x,y,z; char a} Point;
Point pt[N];
```

Assume we will be performing a number of computations on X, Y, Z in three of the four elements of a SIMD word; see Section 4.5.1, “Data Structure Layout,” for an example. Even if the first element in array PT is aligned, the second element will start 7 bytes later and not be aligned (3 shorts at two bytes each plus a single byte = 7 bytes).

By adding the padding variable PAD, the structure is now 8 bytes, and if the first element is aligned to 8 bytes (64 bits), all following elements will also be aligned. The sample declaration follows:

```
typedef struct {short x,y,z; char a; char pad;} Point;
Point pt[N];
```

4.4.1.2 Using Arrays to Make Data Contiguous

In the following code,

```
for (i=0; i<N; i++) pt[i].y *= scale;
```

the second dimension Y needs to be multiplied by a scaling value. Here, the FOR loop accesses each Y dimension in the array PT thus disallowing the access to contiguous data. This can degrade the performance of the application by increasing cache misses, by poor utilization of each cache line that is fetched, and by increasing the chance for accesses which span multiple cache lines.

The following declaration allows you to vectorize the scaling operation and further improve the alignment of the data access patterns:

```
short ptx[N], pty[N], ptz[N];
for (i=0; i<N; i++) pty[i] *= scale;
```

With the SIMD technology, choice of data organization becomes more important and should be made carefully based on the operations that will be performed on the data. In some applications, traditional data arrangements may not lead to the maximum performance.

A simple example of this is an FIR filter. An FIR filter is effectively a vector dot product in the length of the number of coefficient taps.

Consider the following code:

```
(data [ j ] *coeff [0] + data [j+1]*coeff [1]+...+data [j+num of taps-1]*coeff [num of taps-1]),
```

If in the code above the filter operation of data element I is the vector dot product that begins at data element J , then the filter operation of data element $I + 1$ begins at data element $J + 1$.

Assuming you have a 64-bit aligned data vector and a 64-bit aligned coefficients vector, the filter operation on the first data element will be fully aligned. For the second data element, however, access to the data vector will be misaligned. For an example of how to avoid the misalignment problem in the FIR filter, refer to Intel application notes on Streaming SIMD Extensions and filters.

Duplication and padding of data structures can be used to avoid the problem of data accesses in algorithms which are inherently misaligned. Section 4.5.1, "Data Structure Layout," discusses trade-offs for organizing data structures.

NOTE

The duplication and padding technique overcomes the misalignment problem, thus avoiding the expensive penalty for misaligned data access, at the cost of increasing the data size. When developing your code, you should consider this tradeoff and use the option which gives the best performance.

4.4.2 Stack Alignment For 128-bit SIMD Technologies

For best performance, the Streaming SIMD Extensions and Streaming SIMD Extensions 2 require their memory operands to be aligned to 16-byte boundaries. Unaligned data can cause significant performance penalties compared to aligned data. However, the existing software conventions for IA-32 (STDCALL, CDECL, FASTCALL) as implemented in most compilers, do not provide any mechanism for ensuring that certain local data and certain parameters are 16-byte aligned. Therefore, Intel has defined a new set of IA-32 software conventions for alignment to support the new `__M128*` datatypes (`__M128`, `__M128D`, and `__M218I`). These meet the following conditions:

- Functions that use Streaming SIMD Extensions or Streaming SIMD Extensions 2 data need to provide a 16-byte aligned stack frame.
- `__M128*` parameters need to be aligned to 16-byte boundaries, possibly creating "holes" (due to padding) in the argument block.

The new conventions presented in this section as implemented by the Intel C++ Compiler can be used as a guideline for an assembly language code as well. In many cases, this section assumes the use of the `__M128*` data types, as defined by the Intel C++ Compiler, which represents an array of four 32-bit floats.

For more details on the stack alignment for Streaming SIMD Extensions and SSE2, see Appendix D, "Stack Alignment."

4.4.3 Data Alignment for MMX Technology

Many compilers enable alignment of variables using controls. This aligns variable bit lengths to the appropriate boundaries. If some of the variables are not appropriately aligned as specified, you can align them using the C algorithm in Example 4-15.

Example 4-15. C Algorithm for 64-bit Data Alignment

```
/* Make newp a pointer to a 64-bit aligned array of NUM_ELEMENTS 64-bit elements. */
double *p, *newp;
p = (double*)malloc (sizeof(double)*(NUM_ELEMENTS+1));
newp = (p+7) & (~0x7);
```

The algorithm in Example 4-15 aligns an array of 64-bit elements on a 64-bit boundary. The constant of 7 is derived from one less than the number of bytes in a 64-bit element, or 8-1. Aligning data in this manner avoids the significant performance penalties that can occur when an access crosses a cache line boundary.

Another way to improve data alignment is to copy the data into locations that are aligned on 64-bit boundaries. When the data is accessed frequently, this can provide a significant performance improvement.

4.4.4 Data Alignment for 128-bit data

Data must be 16-byte aligned when loading to and storing from the 128-bit XMM registers used by SSE/SSE2/SSE3/SSSE3. This must be done to avoid severe performance penalties and, at worst, execution faults.

There are MOVE instructions (and intrinsics) that allow unaligned data to be copied to and out of XMM registers when not using aligned data, but such operations are much slower than aligned accesses. If data is not 16-byte-aligned and the programmer or the compiler does not detect this and uses the aligned instructions, a fault occurs. So keep data 16-byte-aligned. Such alignment also works for MMX technology code, even though MMX technology only requires 8-byte alignment.

The following describes alignment techniques for Pentium 4 processor as implemented with the Intel C++ Compiler.

4.4.4.1 Compiler-Supported Alignment

The Intel C++ Compiler provides the following methods to ensure that the data is aligned.

Alignment by F32vec4 or __m128 Data Types

When the compiler detects F32VEC4 or __M128 data declarations or parameters, it forces alignment of the object to a 16-byte boundary for both global and local data, as well as parameters. If the declaration is within a function, the compiler also aligns

the function's stack frame to ensure that local data and parameters are 16-byte-aligned. For details on the stack frame layout that the compiler generates for both debug and optimized ("release"-mode) compilations, refer to Intel's compiler documentation.

__declspec(align(16)) specifications

These can be placed before data declarations to force 16-byte alignment. This is useful for local or global data declarations that are assigned to 128-bit data types. The syntax for it is

```
__declspec(align(integer-constant))
```

where the INTEGER-CONSTANT is an integral power of two but no greater than 32. For example, the following increases the alignment to 16-bytes:

```
__declspec(align(16)) float buffer[400];
```

The variable BUFFER could then be used as if it contained 100 objects of type `__M128` or `F32VEC4`. In the code below, the construction of the `F32VEC4` object, X, will occur with aligned data.

```
void foo() {
    F32vec4 x = *(__m128 *) buffer;
    ...
}
```

Without the declaration of `__declspec(ALIGN(16))`, a fault may occur.

Alignment by Using a UNION Structure

When feasible, a UNION can be used with 128-bit data types to allow the compiler to align the data structure by default. This is preferred to forcing alignment with `__declspec(ALIGN(16))` because it exposes the true program intent to the compiler in that `__M128` data is being used. For example:

```
union {
    float f[400];
    __m128 m[100];
} buffer;
```

Now, 16-byte alignment is used by default due to the `__M128` type in the UNION; it is not necessary to use `__declspec(ALIGN(16))` to force the result.

In C++ (but not in C) it is also possible to force the alignment of a CLASS/STRUCT/UNION type, as in the code that follows:

```
struct __declspec(align(16)) my_m128
{
    float f[4];
};
```

If the data in such a CLASS is going to be used with the Streaming SIMD Extensions or Streaming SIMD Extensions 2, it is preferable to use a UNION to make this explicit. In C++, an anonymous UNION can be used to make this more convenient:

```
class my_m128 {
    union {
        __m128 m;
        float f[4];
    };
};
```

Because the UNION is anonymous, the names, M and F, can be used as immediate member names of MY__M128. Note that __DECLSPEC(ALIGN) has no effect when applied to a CLASS, STRUCT, or UNION member in either C or C++.

Alignment by Using __m64 or DOUBLE Data

In some cases, the compiler aligns routines with __M64 or DOUBLE data to 16-bytes by default. The command-line switch, -QSFALIGN16, limits the compiler so that it only performs this alignment on routines that contain 128-bit data. The default behavior is to use -QSFALIGN8. This switch instructs the compiler to align routines with 8- or 16-byte data types to 16 bytes.

For more, see the Intel C++ Compiler documentation.

4.5 IMPROVING MEMORY UTILIZATION

Memory performance can be improved by rearranging data and algorithms for SSE, SSE2, and MMX technology intrinsics. Methods for improving memory performance involve working with the following:

- Data structure layout
- Strip-mining for vectorization and memory utilization
- Loop-blocking

Using the cacheability instructions, prefetch and streaming store, also greatly enhance memory utilization. See also: Chapter 7, "Optimizing Cache Usage."

4.5.1 Data Structure Layout

For certain algorithms, like 3D transformations and lighting, there are two basic ways to arrange vertex data. The traditional method is the array of structures (AoS) arrangement, with a structure for each vertex (Example 4-16). However this method does not take full advantage of SIMD technology capabilities.

Example 4-16. AoS Data Structure

```
typedef struct{
    float x,y,z;
    int a,b,c;
    ...
} Vertex;
Vertex Vertices[NumOfVertices];
```

The best processing method for code using SIMD technology is to arrange the data in an array for each coordinate (Example 4-17). This data arrangement is called structure of arrays (SoA).

Example 4-17. SoA Data Structure

```
typedef struct{
    float x[NumOfVertices];
    float y[NumOfVertices];
    float z[NumOfVertices];
    int a[NumOfVertices];
    int b[NumOfVertices];
    int c[NumOfVertices];
    ...
} VerticesList;
VerticesList Vertices;
```

There are two options for computing data in AoS format: perform operation on the data as it stands in AoS format, or re-arrange it (swizzle it) into SoA format dynamically. See Example 4-18 for code samples of each option based on a dot-product computation.

Example 4-18. AoS and SoA Code Samples

```
; The dot product of an array of vectors (Array) and a fixed vector (Fixed) is a
; common operation in 3D lighting operations, where Array = (x0,y0,z0),(x1,y1,z1),...
; and Fixed = (xF,yF,zF)
; A dot product is defined as the scalar quantity d0 = x0*xF + y0*yF + z0*zF.
;
; AoS code
; All values marked DC are "don't-care."
```

Example 4-18. AoS and SoA Code Samples (Contd.)

```

; In the AOS model, the vertices are stored in the xyz format
movaps xmm0, Array      ; xmm0 = DC, x0, y0, z0
movaps xmm1, Fixed      ; xmm1 = DC, xF, yF, zF
mulps  xmm0, xmm1       ; xmm0 = DC, x0*xF, y0*yF, z0*zF
movhps xmm, xmm0        ; xmm = DC, DC, DC, x0*xF

addps  xmm1, xmm0       ; xmm0 = DC, DC, DC,
                        ; x0*xF+z0*zF
movaps xmm2, xmm1       ; xmm2 = DC, DC, DC, y0*yF
shufps xmm2, xmm2, 55h  ; xmm2 = DC, DC, DC, y0*yF
addps  xmm2, xmm1       ; xmm1 = DC, DC, DC,
                        ; x0*xF+y0*yF+z0*zF

; SoA code
; X = x0,x1,x2,x3
; Y = y0,y1,y2,y3
; Z = z0,z1,z2,z3
; A = xF,xF,xF,xF
; B = yF,yF,yF,yF
; C = zF,zF,zF,zF

movaps xmm0, X          ; xmm0 = x0,x1,x2,x3
movaps xmm1, Y          ; xmm1 = y0,y1,y2,y3
movaps xmm2, Z          ; xmm2 = z0,z1,z2,z3
mulps  xmm0, A          ; xmm0 = x0*xF, x1*xF, x2*xF, x3*xF
mulps  xmm1, B          ; xmm1 = y0*yF, y1*yF, y2*yF, y3*yF
mulps  xmm2, C          ; xmm2 = z0*zF, z1*zF, z2*zF, z3*zF
addps  xmm0, xmm1
addps  xmm0, xmm2       ; xmm0 = (x0*xF+y0*yF+z0*zF), ...

```

Performing SIMD operations on the original AoS format can require more calculations and some operations do not take advantage of all SIMD elements available. Therefore, this option is generally less efficient.

The recommended way for computing data in AoS format is to swizzle each set of elements to SoA format before processing it using SIMD technologies. Swizzling can either be done dynamically during program execution or statically when the data structures are generated. See Chapter 5 and Chapter 6 for examples. Performing the swizzle dynamically is usually better than using AoS, but can be somewhat inefficient because there are extra instructions during computation. Performing the swizzle statically, when data structures are being laid out, is best as there is no runtime overhead.

As mentioned earlier, the SoA arrangement allows more efficient use of the parallelism of SIMD technologies because the data is ready for computation in a more optimal vertical manner: multiplying components X0,X1,X2,X3 by XF,XF,XF,XF using

4 SIMD execution slots to produce 4 unique results. In contrast, computing directly on AoS data can lead to horizontal operations that consume SIMD execution slots but produce only a single scalar result (as shown by the many “don’t-care” (DC) slots in Example 4-18).

Use of the SoA format for data structures can lead to more efficient use of caches and bandwidth. When the elements of the structure are not accessed with equal frequency, such as when element x, y, z are accessed ten times more often than the other entries, then SoA saves memory and prevents fetching unnecessary data items a, b, and c.

Example 4-19. Hybrid SoA Data Structure

```

NumOfGroups = NumOfVertices/SIMDwidth
typedef struct{
    float x[SIMDwidth];
    float y[SIMDwidth];
    float z[SIMDwidth];
} VerticesCoordList;
typedef struct{
    int a[SIMDwidth];
    int b[SIMDwidth];
    int c[SIMDwidth];
    ...
} VerticesColorList;
VerticesCoordList VerticesCoord[NumOfGroups];
VerticesColorList VerticesColor[NumOfGroups];
    
```

Note that SoA can have the disadvantage of requiring more independent memory stream references. A computation that uses arrays X, Y, and Z (see Example 4-17) would require three separate data streams. This can require the use of more prefetches, additional address generation calculations, as well as having a greater impact on DRAM page access efficiency.

There is an alternative: a hybrid SoA approach blends the two alternatives (see Example 4-19). In this case, only 2 separate address streams are generated and referenced: one contains XXXX, YYYY, ZZZZ, ZZZZ,... and the other AAAA, BBBB, CCCC, AAAA, DDDD,... . The approach prevents fetching unnecessary data, assuming the variables X, Y, Z are always used together; whereas the variables A, B, C would also be used together, but not at the same time as X, Y, Z.

The hybrid SoA approach ensures:

- Data is organized to enable more efficient vertical SIMD computation
- Simpler/less address generation than AoS
- Fewer streams, which reduces DRAM page misses

- Use of fewer prefetches, due to fewer streams
- Efficient cache line packing of data elements that are used concurrently.

With the advent of the SIMD technologies, the choice of data organization becomes more important and should be carefully based on the operations to be performed on the data. This will become increasingly important in the Pentium 4 processor and future processors. In some applications, traditional data arrangements may not lead to the maximum performance. Application developers are encouraged to explore different data arrangements and data segmentation policies for efficient computation. This may mean using a combination of AoS, SoA, and Hybrid SoA in a given application.

4.5.2 Strip-Mining

Strip-mining, also known as loop sectioning, is a loop transformation technique for enabling SIMD-encodings of loops, as well as providing a means of improving memory performance. First introduced for vectorizers, this technique consists of the generation of code when each vector operation is done for a size less than or equal to the maximum vector length on a given vector machine. By fragmenting a large loop into smaller segments or strips, this technique transforms the loop structure by:

- Increasing the temporal and spatial locality in the data cache if the data are reusable in different passes of an algorithm.
- Reducing the number of iterations of the loop by a factor of the length of each “vector,” or number of operations being performed per SIMD operation. In the case of Streaming SIMD Extensions, this vector or strip-length is reduced by 4 times: four floating-point data items per single Streaming SIMD Extensions single-precision floating-point SIMD operation are processed. Consider Example 4-20.

Example 4-20. Pseudo-code Before Strip Mining

```
typedef struct _VERTEX {
    float x, y, z, nx, ny, nz, u, v;
} Vertex_rec;

main()
{
    Vertex_rec v[Num];
    ....
    for (i=0; i<Num; i++) {
        Transform(v[i]);
    }
}
```

Example 4-20. Pseudo-code Before Strip Mining (Contd.)

```

    for (i=0; i<Num; i++) {
        Lighting(v[i]);
    }
    ....
}

```

The main loop consists of two functions: transformation and lighting. For each object, the main loop calls a transformation routine to update some data, then calls the lighting routine to further work on the data. If the size of array $V[NUM]$ is larger than the cache, then the coordinates for $V[I]$ that were cached during $TRANSFORM(V[I])$ will be evicted from the cache by the time we do $LIGHTING(V[I])$. This means that $V[I]$ will have to be fetched from main memory a second time, reducing performance.

In Example 4-21, the computation has been strip-mined to a size $STRIP_SIZE$. The value $STRIP_SIZE$ is chosen such that $STRIP_SIZE$ elements of array $V[NUM]$ fit into the cache hierarchy. By doing this, a given element $V[I]$ brought into the cache by $TRANSFORM(V[I])$ will still be in the cache when we perform $LIGHTING(V[I])$, and thus improve performance over the non-strip-mined code.

Example 4-21. Strip Mined Code

```

MAIN()
{
    Vertex_rec v[Num];
    ....
    for (i=0; i < Num; i+=strip_size) {
        FOR (J=I; J < MIN(NUM, I+STRIP_SIZE); J++) {
            TRANSFORM(V[J]);
        }
        FOR (J=I; J < MIN(NUM, I+STRIP_SIZE); J++) {
            LIGHTING(V[J]);
        }
    }
}

```

4.5.3 Loop Blocking

Loop blocking is another useful technique for memory performance optimization. The main purpose of loop blocking is also to eliminate as many cache misses as possible. This technique transforms the memory domain of a given problem into smaller chunks rather than sequentially traversing through the entire memory domain. Each chunk should be small enough to fit all the data for a given computation into the cache, thereby maximizing data reuse. In fact, one can treat loop blocking as strip mining in two or more dimensions. Consider the code in Example 4-20 and access

pattern in Figure 4-3. The two-dimensional array A is referenced in the J (column) direction and then referenced in the I (row) direction (column-major order); whereas array B is referenced in the opposite manner (row-major order). Assume the memory layout is in column-major order; therefore, the access strides of array A and B for the code in Example 4-22 would be 1 and MAX, respectively.

Example 4-22. Loop Blocking

```

A. Original Loop
float A[MAX, MAX], B[MAX, MAX]
for (i=0; i< MAX; i++) {
    for (j=0; j< MAX; j++) {
        A[i,j] = A[i,j] + B[j, i];
    }
}

B. Transformed Loop after Blocking
float A[MAX, MAX], B[MAX, MAX];
for (i=0; i< MAX; i+=block_size) {
    for (j=0; j< MAX; j+=block_size) {
        for (ii=i; ii<i+block_size; ii++) {
            for (jj=j; jj<j+block_size; jj++) {
                A[ii,jj] = A[ii,jj] + B[jj, ii];
            }
        }
    }
}

```

For the first iteration of the inner loop, each access to array B will generate a cache miss. If the size of one row of array A, that is, $A[2, 0:MAX-1]$, is large enough, by the time the second iteration starts, each access to array B will always generate a cache miss. For instance, on the first iteration, the cache line containing $B[0, 0:7]$ will be brought in when $B[0,0]$ is referenced because the float type variable is four bytes and each cache line is 32 bytes. Due to the limitation of cache capacity, this line will be evicted due to conflict misses before the inner loop reaches the end. For the next iteration of the outer loop, another cache miss will be generated while referencing $B[0, 1]$. In this manner, a cache miss occurs when each element of array B is referenced, that is, there is no data reuse in the cache at all for array B.

This situation can be avoided if the loop is blocked with respect to the cache size. In Figure 4-3, a `BLOCK_SIZE` is selected as the loop blocking factor. Suppose that `BLOCK_SIZE` is 8, then the blocked chunk of each array will be eight cache lines (32 bytes each). In the first iteration of the inner loop, $A[0, 0:7]$ and $B[0, 0:7]$ will be brought into the cache. $B[0, 0:7]$ will be completely consumed by the first iteration of the outer loop. Consequently, $B[0, 0:7]$ will only experience one cache miss after applying loop blocking optimization in lieu of eight misses for the original algorithm. As illustrated in Figure 4-3, arrays A and B are blocked into smaller rectangular

chunks so that the total size of two blocked A and B chunks is smaller than the cache size. This allows maximum data reuse.

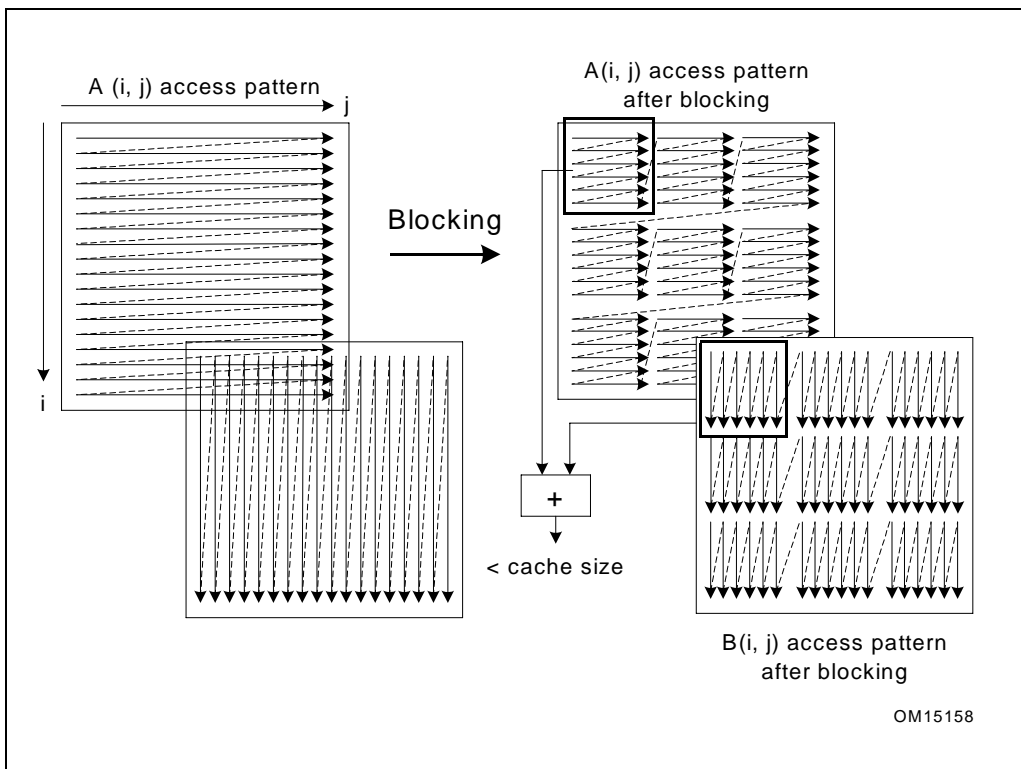


Figure 4-3. Loop Blocking Access Pattern

As one can see, all the redundant cache misses can be eliminated by applying this loop blocking technique. If MAX is huge, loop blocking can also help reduce the penalty from DTLB (data translation look-aside buffer) misses. In addition to improving the cache/memory performance, this optimization technique also saves external bus bandwidth.

4.6 INSTRUCTION SELECTION

The following section gives some guidelines for choosing instructions to complete a task.

One barrier to SIMD computation can be the existence of data-dependent branches. Conditional moves can be used to eliminate data-dependent branches. Conditional

moves can be emulated in SIMD computation by using masked compares and logicals, as shown in Example 4-23.

Example 4-23. Emulation of Conditional Moves

```

High-level code:
short A[MAX_ELEMENT], B[MAX_ELEMENT], C[MAX_ELEMENT], D[MAX_ELEMENT],
E[MAX_ELEMENT];

for (i=0; i<MAX_ELEMENT; i++) {
    if (A[i] > B[i]) {
        C[i] = D[i];
    } else {
        C[i] = E[i];
    }
}

Assembly code:
    xor     eax, eax

top_of_loop:
    movq   mm0, [A + eax]
    pcmpltw mm0, [B + eax]; Create compare mask
    movq   mm1, [D + eax]
    pand   mm1, mm0; Drop elements where A<B
    pandn  mm0, [E + eax]; Drop elements where A>B

    por    mm0, mm1; Create single word
    movq   [C + eax], mm0
    add    eax, 8
    cmp    eax, MAX_ELEMENT*2
    jle    top_of_loop

```

Note that this can be applied to both SIMD integer and SIMD floating-point code.

If there are multiple consumers of an instance of a register, group the consumers together as closely as possible. However, the consumers should not be scheduled near the producer.

4.6.1 SIMD Optimizations and Microarchitectures

Pentium M, Intel Core Solo and Intel Core Duo processors have a different microarchitecture than Intel NetBurst microarchitecture. The following sub-section discusses optimizing SIMD code targeting Intel Core Solo and Intel Core Duo processors.

The register-register variant of the following instructions has improved performance on Intel Core Solo and Intel Core Duo processor relative to Pentium M processors.

This is because the instructions consist of two micro-ops instead of three. Relevant instructions are: `unpcklps`, `unpckhps`, `packsswb`, `packuswb`, `packssdw`, `pshufd`, `shuffps` and `shuffpd`.

Recommendation: When targeting code generation for Intel Core Solo and Intel Core Duo processors, favor instructions consisting of two μ ops over those with more than two μ ops.

Intel Core microarchitecture generally executes SIMD instructions more efficiently than previous microarchitectures in terms of latency and throughput, many of the restrictions specific to Intel Core Duo, Intel Core Solo processors do not apply. The same is true of Intel Core microarchitecture relative to Intel NetBurst microarchitectures.

4.7 TUNING THE FINAL APPLICATION

The best way to tune your application once it is functioning correctly is to use a profiler that measures the application while it is running on a system. VTune analyzer can help you determine where to make changes in your application to improve performance. Using the VTune analyzer can help you with various phases required for optimized performance. See Appendix A.2, “Intel® VTune™ Performance Analyzer,” for details. After every effort to optimize, you should check the performance gains to see where you are making your major optimization gains.

CHAPTER 5

OPTIMIZING FOR SIMD INTEGER APPLICATIONS

SIMD integer instructions provide performance improvements in applications that are integer-intensive and can take advantage of SIMD architecture.

Guidelines in this chapter for using SIMD integer instructions (in addition to those described in Chapter 3) may be used to develop fast and efficient code that scales across processors with MMX technology, processors that use Streaming SIMD Extensions (SSE) SIMD integer instructions, as well as processor with the SIMD integer instructions in SSE2, SSE3 and SSSE3.

The collection of 64-bit and 128-bit SIMD integer instructions supported by MMX technology, SSE, SSE2, SSE3 and SSSE3 are referred to as SIMD integer instructions.

Code sequences in this chapter demonstrates the use of 64-bit SIMD integer instructions and 128-bit SIMD integer instructions.

Processors based on Intel Core microarchitecture support MMX, SSE, SSE2, SSE3, and SSSE3. Execution of 128-bit SIMD integer instructions in Intel Core microarchitecture are substantially more efficient than equivalent implementations on previous microarchitectures. Conversion from 64-bit SIMD integer code to 128-bit SIMD integer code is highly recommended.

This chapter contains examples that will help you to get started with coding your application. The goal is to provide simple, low-level operations that are frequently used. The examples use a minimum number of instructions necessary to achieve best performance on the current generation of Intel 64 and IA-32 processors.

Each example includes a short description, sample code, and notes if necessary. These examples do not address scheduling as it is assumed the examples will be incorporated in longer code sequences.

For planning considerations of using the new SIMD integer instructions, refer to Section 4.1.3.

5.1 GENERAL RULES ON SIMD INTEGER CODE

General rules and suggestions are:

- Do not intermix 64-bit SIMD integer instructions with x87 floating-point instructions. See Section 5.2, "Using SIMD Integer with x87 Floating-point." Note that all SIMD integer instructions can be intermixed without penalty.
- Favor 128-bit SIMD integer code over 64-bit SIMD integer code. On previous microarchitectures, most 128-bit SIMD instructions have two-cycle throughput restrictions due to the underlying 64-bit data path in the execution engine. Intel

Core microarchitecture executes almost all SIMD instructions with one-cycle throughput and provides three ports to execute multiple SIMD instructions in parallel.

- When writing SIMD code that works for both integer and floating-point data, use the subset of SIMD convert instructions or load/store instructions to ensure that the input operands in XMM registers contain data types that are properly defined to match the instruction.

Code sequences containing cross-typed usage produce the same result across different implementations but incur a significant performance penalty. Using SSE/SSE2/SSE3/SSSE3 instructions to operate on type-mismatched SIMD data in the XMM register is strongly discouraged.

- Use the optimization rules and guidelines described in Chapter 3 and Chapter 4.
- Take advantage of hardware prefetcher where possible. Use the PREFETCH instruction only when data access patterns are irregular and prefetch distance can be pre-determined. See Chapter 7, “Optimizing Cache Usage.”
- Emulate conditional moves by using masked compares and logicals instead of using conditional branches.

5.2 USING SIMD INTEGER WITH X87 FLOATING-POINT

All 64-bit SIMD integer instructions use MMX registers, which share register state with the x87 floating-point stack. Because of this sharing, certain rules and considerations apply. Instructions using MMX registers cannot be freely intermixed with x87 floating-point registers. Take care when switching between 64-bit SIMD integer instructions and x87 floating-point instructions. See Section 5.2.1, “Using the EMMS Instruction.”

SIMD floating-point operations and 128-bit SIMD integer operations can be freely intermixed with either x87 floating-point operations or 64-bit SIMD integer operations. SIMD floating-point operations and 128-bit SIMD integer operations use registers that are unrelated to the x87 FP / MMX registers. The EMMS instruction is not needed to transition to or from SIMD floating-point operations or 128-bit SIMD operations.

5.2.1 Using the EMMS Instruction

When generating 64-bit SIMD integer code, keep in mind that the eight MMX registers are aliased to x87 floating-point registers. Switching from MMX instructions to x87 floating-point instructions incurs a finite delay, so it is the best to minimize switching between these instruction types. But when switching, the EMMS instruction provides an efficient means to clear the x87 stack so that subsequent x87 code can operate properly.

As soon as an instruction makes reference to an MMX register, all valid bits in the x87 floating-point tag word are set, which implies that all x87 registers contain valid values. In order for software to operate correctly, the x87 floating-point stack should be emptied when starting a series of x87 floating-point calculations after operating on the MMX registers.

Using EMMS clears all valid bits, effectively emptying the x87 floating-point stack and making it ready for new x87 floating-point operations. The EMMS instruction ensures a clean transition between using operations on the MMX registers and using operations on the x87 floating-point stack. On the Pentium 4 processor, there is a finite overhead for using the EMMS instruction.

Failure to use the EMMS instruction (or the `_MM_EMPTY()` intrinsic) between operations on the MMX registers and x87 floating-point registers may lead to unexpected results.

NOTE

Failure to reset the tag word for FP instructions after using an MMX instruction can result in faulty execution or poor performance.

5.2.2 Guidelines for Using EMMS Instruction

When developing code with both x87 floating-point and 64-bit SIMD integer instructions, follow these steps:

1. Always call the EMMS instruction at the end of 64-bit SIMD integer code when the code transitions to x87 floating-point code.
2. Insert the EMMS instruction at the end of all 64-bit SIMD integer code segments to avoid an x87 floating-point stack overflow exception when an x87 floating-point instruction is executed.

When writing an application that uses both floating-point and 64-bit SIMD integer instructions, use the following guidelines to help you determine when to use EMMS:

- **If next instruction is x87 FP** — Use `_MM_EMPTY()` after a 64-bit SIMD integer instruction if the next instruction is an X87 FP instruction; for example, before doing calculations on floats, doubles or long doubles.
- **Don't empty when already empty** — If the next instruction uses an MMX register, `_MM_EMPTY()` incurs a cost with no benefit.
- **Group Instructions** — Try to partition regions that use X87 FP instructions from those that use 64-bit SIMD integer instructions. This eliminates the need for an EMMS instruction within the body of a critical loop.

- **Runtime initialization** — Use `_MM_EMPTY()` during runtime initialization of `__m64` and X87 FP data types. This ensures resetting the register between data type transitions. See Example 5-1 for coding usage.

Example 5-1. Resetting Register Between `__m64` and FP Data Types Code

Incorrect Usage	Correct Usage
<pre>__m64 x = _m_paddd(y, z); float f = init();</pre>	<pre>__m64 x = _m_paddd(y, z); float f = (_mm_empty(), init());</pre>

You must be aware that your code generates an MMX instruction, which uses MMX registers with the Intel C++ Compiler, in the following situations:

- when using a 64-bit SIMD integer intrinsic from MMX technology, SSE/SSE2/SSSE3
- when using a 64-bit SIMD integer instruction from MMX technology, SSE/SSE2/SSSE3 through inline assembly
- when referencing the `__m64` data type variable

Additional information on the x87 floating-point programming model can be found in the *Intel® 64 and IA-32 Architectures Software Developer's Manual, Volume 1*. For more on EMMS, visit <http://developer.intel.com>.

5.3 DATA ALIGNMENT

Make sure that 64-bit SIMD integer data is 8-byte aligned and that 128-bit SIMD integer data is 16-byte aligned. Referencing unaligned 64-bit SIMD integer data can incur a performance penalty due to accesses that span 2 cache lines. Referencing unaligned 128-bit SIMD integer data results in an exception unless the `MOVDQU` (move double-quadword unaligned) instruction is used. Using the `MOVDQU` instruction on unaligned data can result in lower performance than using 16-byte aligned references. Refer to Section 4.4, “Stack and Data Alignment,” for more information.

Loading 16 bytes of SIMD data efficiently requires data alignment on 16-byte boundaries. `SSSE3` provides the `PALIGNR` instruction. It reduces overhead in situations that requires software to processing data elements from non-aligned address. The `PALIGNR` instruction is most valuable when loading or storing unaligned data with the address shifts by a few bytes. You can replace a set of unaligned loads with aligned loads followed by using `PALIGNR` instructions and simple register to register copies.

Using `PALIGNR`s to replace unaligned loads improves performance by eliminating cache line splits and other penalties. In routines like `MEMCPY()`, `PALIGNR` can boost

the performance of misaligned cases. Example 5-2 shows a situation that benefits by using PALIGNR.

Example 5-2. FIR Processing Example in C language Code

```
void FIR(float *in, float *out, float *coeff, int count)
{int i,j;
  for ( i=0; i<count - TAP; i++ )
  {   float sum = 0;
      for ( j=0; j<TAP; j++ )
      {   sum += in[j]*coeff[j]; }
      *out++ = sum;
      in++;
  }
}
```

Example 5-3 compares an optimal SSE2 sequence of the FIR loop and an equivalent SSSE3 implementation. Both implementations unroll 4 iteration of the FIR inner loop to enable SIMD coding techniques. The SSE2 code can not avoid experiencing cache line split once every four iterations. PALGNER allows the SSSE3 code to avoid the delays associated with cache line splits.

Example 5-3. SSE2 and SSSE3 Implementation of FIR Processing Code

Optimized for SSE2	Optimized for SSSE3
<pre>pxor xmm0, xmm0 xor ecx, ecx moveax, dword ptr[input] movebx, dword ptr[coeff4]</pre>	<pre>pxor xmm0, xmm0 xor ecx, ecx mov eax, dword ptr[input] mov ebx, dword ptr[coeff4]</pre>
<pre>inner_loop: movapsxmm1, xmmword ptr[eax+ecx] mulpsxmm1, xmmword ptr[ebx+4*ecx] addpsxmm0, xmm1 movupsxmm1, xmmword ptr[eax+ecx+4] mulpsxmm1, xmmword ptr[ebx+4*ecx+16] addpsxmm0, xmm1</pre>	<pre>inner_loop: movapsxmm1, xmmword ptr[eax+ecx] movapsxmm3, xmm1 mulpsxmm1, xmmword ptr[ebx+4*ecx] addpsxmm0, xmm1 movapsxmm2, xmmword ptr[eax+ecx+16] movapsxmm1, xmm2 palignxmm2, xmm3, 4 mulpsxmm2, xmmword ptr[ebx+4*ecx+16] addpsxmm0, xmm2</pre>

Example 5-3. SSE2 and SSSE3 Implementation of FIR Processing Code (Contd.)

Optimized for SSE2	Optimized for SSSE3
<pre> movupsxmm1, xmmword ptr[eax+ecx+8] mulpsxmm1, xmmword ptr[ebx+4*ecx+32] addpsxmm0, xmm1 movupsxmm1, xmmword ptr[eax+ecx+12] mulpsxmm1, xmmword ptr[ebx+4*ecx+48] addpsxmm0, xmm1 add ecx, 16 cmp ecx, 4*TAP jl inner_loop moveax, dword ptr[output] movapsxmmword ptr[eax], xmm0 </pre>	<pre> movapsxmm2, xmm1 palignrxmm2, xmm3, 8 mulpsxmm2, xmmword ptr[ebx+4*ecx+32] addpsxmm0, xmm2 movapsxmm2, xmm1 palignrxmm2, xmm3, 12 mulpsxmm2, xmmword ptr[ebx+4*ecx+48] addpsxmm0, xmm2 add ecx, 16 cmp ecx, 4*TAP jl inner_loop mov eax, dword ptr[output] movapsxmmword ptr[eax], xmm0 </pre>

5.4 DATA MOVEMENT CODING TECHNIQUES

In general, better performance can be achieved if data is pre-arranged for SIMD computation (see Section 4.5, “Improving Memory Utilization”). This may not always be possible.

This section covers techniques for gathering and arranging data for more efficient SIMD computation.

5.4.1 Unsigned Unpack

MMX technology provides several instructions that are used to pack and unpack data in the MMX registers. SSE2 extends these instructions so that they operate on 128-bit source and destinations.

The unpack instructions can be used to zero-extend an unsigned number. Example 5-4 assumes the source is a packed-word (16-bit) data type.

Example 5-4. Zero Extend 16-bit Values into 32 Bits Using Unsigned Unpack Instructions Code

```

; Input:
;       XMM0      8 16-bit values in source
;       XMM7 0    a local variable can be used
;                instead of the register XMM7 if
;                desired.
;
; Output:
;       XMM0      four zero-extended 32-bit
;                doublewords from four low-end
;                words
;       XMM1      four zero-extended 32-bit
;                doublewords from four high-end
;                words
movdqa   XMM1, XMM0 ; copy source
punpcklwd XMM0, XMM7 ; unpack the 4 low-end words
;                ; into 4 32-bit doubleword
punpckhwd XMM1, XMM7 ; unpack the 4 high-end words
;                ; into 4 32-bit doublewords

```

5.4.2 Signed Unpack

Signed numbers should be sign-extended when unpacking values. This is similar to the zero-extend shown above, except that the PSRAD instruction (packed shift right arithmetic) is used to sign extend the values.

Example 5-5 assumes the source is a packed-word (16-bit) data type.

Example 5-5. Signed Unpack Code

```

Input:
;       XMM0      source value
; Output:
;       XMM0      four sign-extended 32-bit doublewords
;                from four low-end words
;       XMM1      four sign-extended 32-bit doublewords
;                from four high-end words
;
;
;

```

Example 5-5. Signed Unpack Code (Contd.)

```

movdqa   XMM1, XMM0 ; copy source
punpcklwd XMM0, XMM0 ; unpack four low end words of the source
                ; into the upper 16 bits of each doubleword
                ; in the destination
punpckhwd XMM1, XMM1 ; unpack 4 high-end words of the source
                ; into the upper 16 bits of each doubleword
                ; in the destination

psrad    XMM0, 16   ; sign-extend the 4 low-end words of the source
                ; into four 32-bit signed doublewords
psrad    XMM1, 16   ; sign-extend the 4 high-end words of the
                ; source into four 32-bit signed doublewords
    
```

5.4.3 Interleaved Pack with Saturation

Pack instructions pack two values into a destination register in a predetermined order. PACKSSDW saturates two signed doublewords from a source operand and two signed doublewords from a destination operand into four signed words; and it packs the four signed words into a destination register. See Figure 5-1.

SSE2 extends PACKSSDW so that it saturates four signed doublewords from a source operand and four signed doublewords from a destination operand into eight signed words; the eight signed words are packed into the destination.

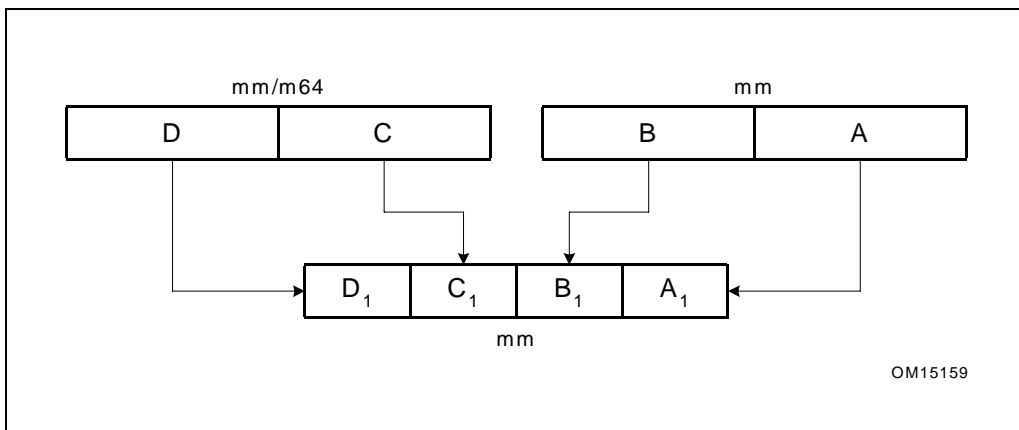


Figure 5-1. PACKSSDW mm, mm/mm64 Instruction

Figure 5-2 illustrates where two pairs of values are interleaved in a destination register; Example 5-6 shows MMX code that accomplishes the operation.

Two signed doublewords are used as source operands and the result is interleaved signed words. The sequence in Example 5-6 can be extended in SSE2 to interleave eight signed words using XMM registers.

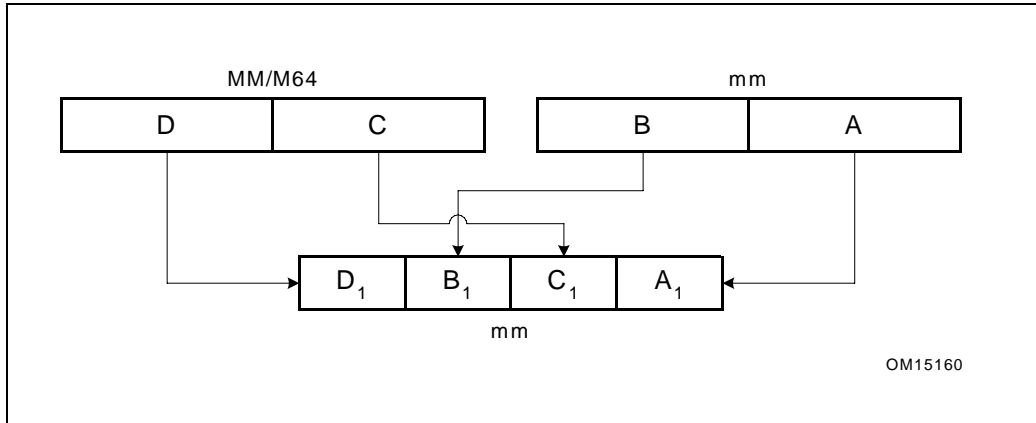


Figure 5-2. Interleaved Pack with Saturation

Example 5-6. Interleaved Pack with Saturation Code

```

; Input:
      MM0    signed source1 value
;      MM1    signed source2 value
; Output:
      MM0    the first and third words contain the
;            signed-saturated doublewords from MM0,
;            the second and fourth words contain
;            signed-saturated doublewords from MM1
;
packssdw  MM0, MM0    ; pack and sign saturate
packssdw  MM1, MM1    ; pack and sign saturate
punpcklwd MM0, MM1    ; interleave the low-end 16-bit
;                   ; values of the operands

```

Pack instructions always assume that source operands are signed numbers. The result in the destination register is always defined by the pack instruction that performs the operation. For example, PACKSSDW packs each of two signed 32-bit values of two sources into four saturated 16-bit signed values in a destination

register. `PACKUSWB`, on the other hand, packs the four signed 16-bit values of two sources into eight saturated eight-bit unsigned values in the destination.

5.4.4 Interleaved Pack without Saturation

Example 5-7 is similar to Example 5-6 except that the resulting words are not saturated. In addition, in order to protect against overflow, only the low order 16 bits of each doubleword are used. Again, Example 5-7 can be extended in SSE2 to accomplish interleaving eight words without saturation.

Example 5-7. Interleaved Pack without Saturation Code

```

; Input:
;     MM0      signed source value
;     MM1      signed source value
; Output:
;     MM0      the first and third words contain the
;              low 16-bits of the doublewords in MM0,
;              the second and fourth words contain the
;              low 16-bits of the doublewords in MM1
pslld  MM1, 16    ; shift the 16 LSB from each of the
                  ; doubleword values to the 16 MSB
                  ; position
pand   MM0, {0,ffff,0,ffff}
                  ; mask to zero the 16 MSB
                  ; of each doubleword value
por    MM0, MM1   ; merge the two operands

```

5.4.5 Non-Interleaved Unpack

Unpack instructions perform an interleave merge of the data elements of the destination and source operands into the destination register.

The following example merges the two operands into destination registers without interleaving. For example, take two adjacent elements of a packed-word data type in `SOURCE1` and place this value in the low 32 bits of the results. Then take two adjacent elements of a packed-word data type in `SOURCE2` and place this value in the high 32 bits of the results. One of the destination registers will have the combination illustrated in Figure 5-3.

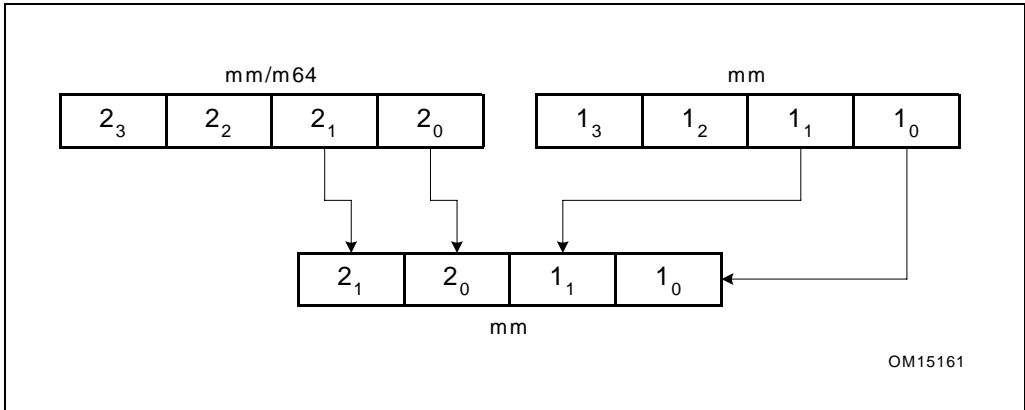


Figure 5-3. Result of Non-Interleaved Unpack Low in MM0

The other destination register will contain the opposite combination illustrated in Figure 5-4.

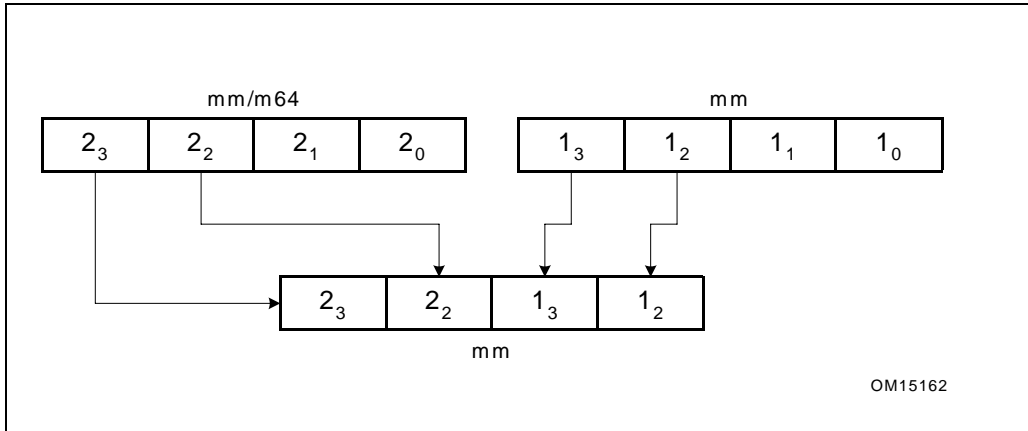


Figure 5-4. Result of Non-Interleaved Unpack High in MM1

Code in the Example 5-8 unpacks two packed-word sources in a non-interleaved way. The goal is to use the instruction which unpacks doublewords to a quadword, instead of using the instruction which unpacks words to doublewords.

Example 5-8. Unpacking Two Packed-word Sources in Non-interleaved Way Code

```

; Input:
;           MM0      packed-word source value
;           MM1      packed-word source value
; Output:
;           MM0      contains the two low-end words of the
;                   original sources, non-interleaved
;           MM2      contains the two high end words of the
;                   original sources, non-interleaved.
movq      MM2, MM0  ; copy source1
punpckldq MM0, MM1 ; replace the two high-end words
                   ; of MM0 with two low-end words of
                   ; MM1; leave the two low-end words
                   ; of MM0 in place
punpckhdq MM2, MM1 ; move two high-end words of MM2
                   ; to the two low-end words of MM2;
                   ; place the two high-end words of
                   ; MM1 in two high-end words of MM2
    
```

5.4.6 Extract Word

The PEXTRW instruction takes the word in the designated MMX register selected by the two least significant bits of the immediate value and moves it to the lower half of a 32-bit integer register. See Figure 5-5 and Example 5-9.

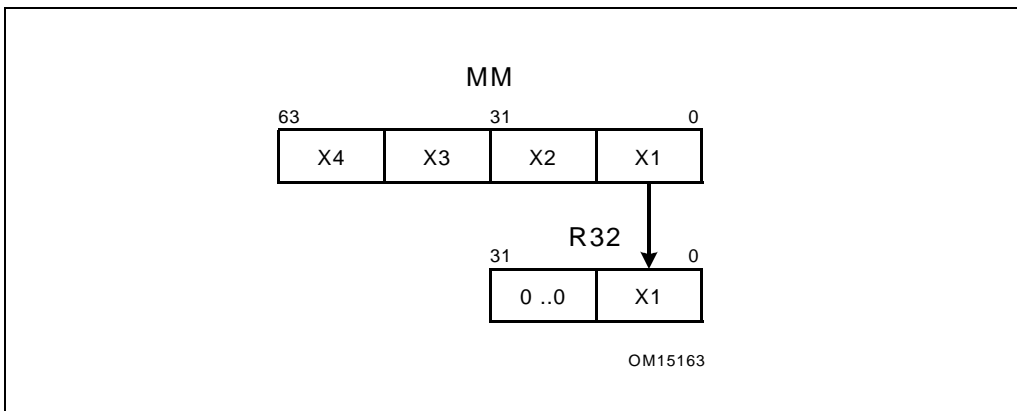


Figure 5-5. PEXTRW Instruction

Example 5-9. PEXTRW Instruction Code

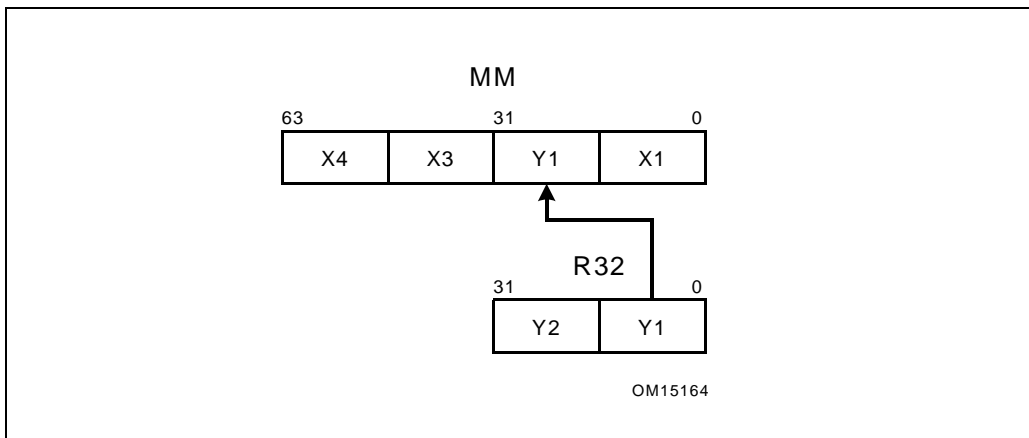
```

; Input:
;     eax    source value
;           immediate value: "0"
; Output:
;     edx    32-bit integer register containing the
;           extracted word in the low-order bits &
;           the high-order bits zero-extended
movq  mm0, [eax]
pextrw edx, mm0, 0

```

5.4.7 Insert Word

The PINSRW instruction loads a word from the lower half of a 32-bit integer register or from memory and inserts it in an MMX technology destination register at a position defined by the two least significant bits of the immediate constant. Insertion is done in such a way that three other words from the destination register are left untouched. See Figure 5-6 and Example 5-10.

**Figure 5-6. PINSRW Instruction**

Example 5-10. PINSRW Instruction Code

```

; Input:
;     edx     pointer to source value
; Output:
;     mm0     register with new 16-bit value inserted
;
mov    eax, [edx]
pinsrw mm0, eax, 1

```

If all of the operands in a register are being replaced by a series of PINSRW instructions, it can be useful to clear the content and break the dependence chain by either using the PXOR instruction or loading the register. See Example 5-11 and Section 3.5.1.6, “Clearing Registers and Dependency Breaking Idioms.”

Example 5-11. Repeated PINSRW Instruction Code

```

; Input:
;     edx     pointer to structure containing source
;             values at offsets: of +0, +10, +13, and +24
;             immediate value: "1"
; Output:
;     MMX     register with new 16-bit value inserted
;
pxor   mm0, mm0 ; Breaks dependency on previous value of mm0
mov    eax, [edx]
pinsrw mm0, eax, 0
mov    eax, [edx+10]
pinsrw mm0, eax, 1
mov    eax, [edx+13]
pinsrw mm0, eax, 2
mov    eax, [edx+24]
pinsrw mm0, eax, 3

```

5.4.8 Move Byte Mask to Integer

The PMOVMSKB instruction returns a bit mask formed from the most significant bits of each byte of its source operand. When used with 64-bit MMX registers, this produces an 8-bit mask, zeroing out the upper 24 bits in the destination register. When used with 128-bit XMM registers, it produces a 16-bit mask, zeroing out the upper 16 bits in the destination register.

The 64-bit version of this instruction is shown in Figure 5-7 and Example 5-12.

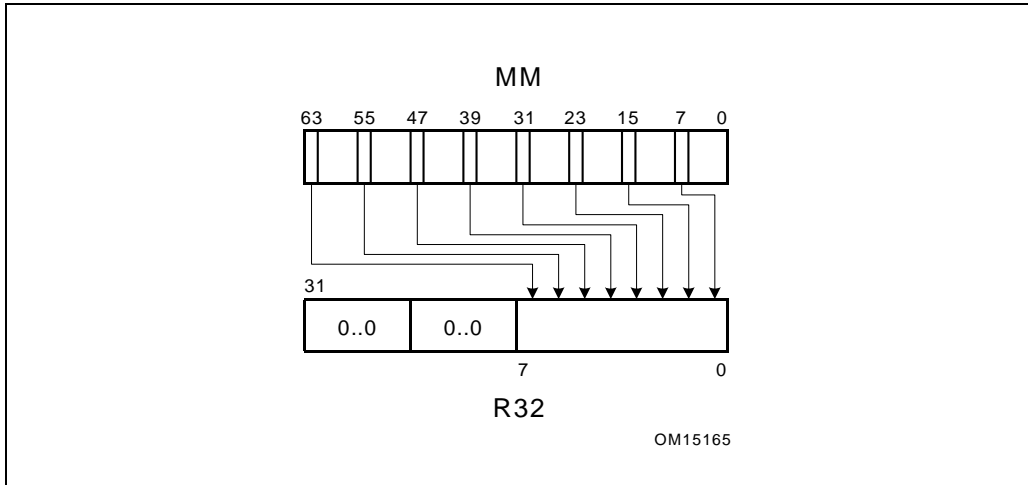


Figure 5-7. PMOVMSKB Instruction

Example 5-12. PMOVMSKB Instruction Code

```

; Input:
;     source value
; Output:
;     32-bit register containing the byte mask in the lower
;     eight bits
;
movq  mm0, [edi]
pmovmskb eax, mm0

```

5.4.9 Packed Shuffle Word for 64-bit Registers

The PSHUF instruction uses the immediate (IMM8) operand to select between the four words in either two MMX registers or one MMX register and a 64-bit memory location.

OPTIMIZING FOR SIMD INTEGER APPLICATIONS

Bits 1 and 0 of the immediate value encode the source for destination word 0 in MMX register ([15-0]), and so on as shown in Table 5-1:

Table 5-1. PAHUF Encoding

Bits	Words
1 - 0	0
3 - 2	1
5 - 4	2
7 - 6	3

Bits 7 and 6 encode for word 3 in MMX register ([63-48]). Similarly, the 2-bit encoding represents which source word is used, for example, binary encoding of 10 indicates that source word 2 in MMX register/memory (MM/MEM[47-32]) is used. See Figure 5-8 and Example 5-13.

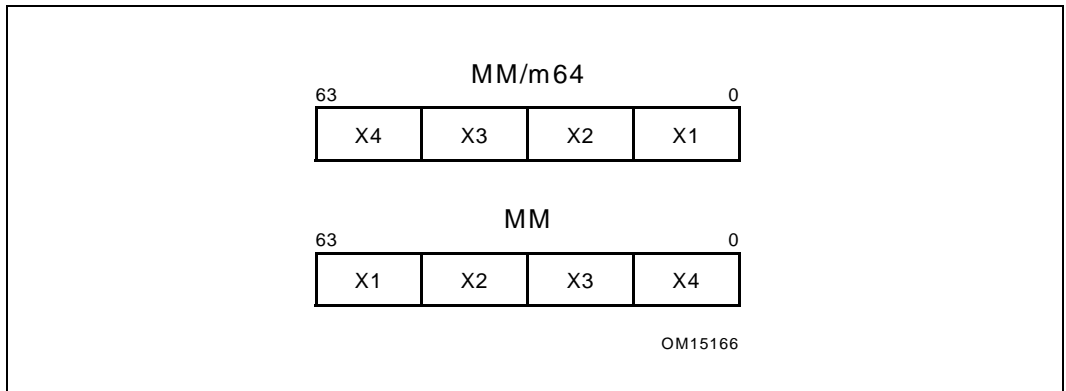


Figure 5-8. pshuf PSHUF Instruction

Example 5-13. PSHUF Instruction Code

```
; Input:  
;     edi     source value  
; Output:  
;     MM1     MM register containing re-arranged words  
movq  mm0, [edi]  
pshufw mm1, mm0, 0x1b
```

5.4.10 Packed Shuffle Word for 128-bit Registers

The PSHUFLW/PSHUFHW instruction performs a full shuffle of any source word field within the low/high 64 bits to any result word field in the low/high 64 bits, using an 8-bit immediate operand; other high/low 64 bits are passed through from the source operand.

PSHUFD performs a full shuffle of any double-word field within the 128-bit source to any double-word field in the 128-bit result, using an 8-bit immediate operand.

No more than 3 instructions, using PSHUFLW/PSHUFHW/PSHUFD, are required to implement many common data shuffling operations. Broadcast, Swap, and Reverse are illustrated in Example 5-14, Example 5-15, and Example 5-16.

Example 5-14. Broadcast Code, Using 2 Instructions

```
/* Goal: Broadcast the value from word 5 to all words */
/* Instruction    Result */
                | 7| 6| 5| 4| 3| 2| 1| 0|

PSHUFHW (3,2,1)| 7| 6| 5| 5| 3| 2| 1| 0|

PSHUFD (2,2,2) | 5| 5| 5| 5| 5| 5| 5|
```

Example 5-15. Swap Code, Using 3 Instructions

```
/* Goal: Swap the values in word 6 and word 1 */
/* Instruction    Result */
                | 7| 6| 5| 4| 3| 2| 1| 0|

PSHUFD (3,0,1,2) | 7| 6| 1| 0| 3| 2| 5| 4|

PSHUFHW (3,1,2,0) | 7| 1| 6| 0| 3| 2| 5| 4|

PSHUFD (3,0,1,2) | 7| 1| 5| 4| 3| 2| 6| 0|
```

Example 5-16. Reverse Code, Using 3 Instructions

```

/* Goal: Reverse the order of the words */
/* Instruction    Result */
                | 7| 6| 5| 4| 3| 2| 1| 0|

PSHUFLW (0,1,2,3)| 7| 6| 5| 4| 0| 1| 2| 3|

PSHUFHW (0,1,2,3)| 4| 5| 6| 7| 0| 1| 2| 3|

PSHUFD (1,0,3,2) | 0| 1| 2| 3| 4| 5| 6| 7|

```

5.4.11 Shuffle Bytes

SSSE3 provides PSHUFB; this instruction carries out byte manipulation within a 16 byte range. PSHUFB can replace up to 12 other instructions: including SHIFT, OR, AND and MOV.

Use PSHUFB if the alternative uses 5 or more instructions.

5.4.12 Unpacking/interleaving 64-bit Data in 128-bit Registers

The PUNPCKLODQ/PUNPCHQDQ instructions interleave the low/high-order 64-bits of the source operand and the low/high-order 64-bits of the destination operand. It then writes the results to the destination register.

The high/low-order 64-bits of the source operands are ignored.

5.4.13 Data Movement

There are two additional instructions to enable data movement from 64-bit SIMD integer registers to 128-bit SIMD registers.

The MOVQ2DQ instruction moves the 64-bit integer data from an MMX register (source) to a 128-bit destination register. The high-order 64 bits of the destination register are zeroed-out.

The MOVDQ2Q instruction moves the low-order 64-bits of integer data from a 128-bit source register to an MMX register (destination).

5.4.14 Conversion Instructions

SSE provides Instructions to support 4-wide conversion of single-precision data to/from double-word integer data. Conversions between double-precision data and double-word integer data have been added in SSE2.

5.5 GENERATING CONSTANTS

SIMD integer instruction sets do not have instructions that will load immediate constants to the SIMD registers.

The following code segments generate frequently used constants in the SIMD register. These examples can also be extended in SSE2 by substituting MMX with XMM registers. See Example 5-17.

Example 5-17. Generating Constants

pxor	MM0, MM0	; generate a zero register in MM0
pcmpeq	MM1, MM1	; Generate all 1's in register MM1, ; which is -1 in each of the packed ; data type fields
pxor	MM0, MM0	
pcmpeq	MM1, MM1	
pshl	MM0, MM1 [pshl MM0, MM1] (psubd MM0, MM1)	
		; three instructions above generate ; the constant 1 in every ; packed-byte [or packed-word] ; (or packed-dword) field
pcmpeq	MM1, MM1	
psrlw	MM1, 16-n (psrl MM1, 32-n)	
		; two instructions above generate ; the signed constant 2^n-1 in every ; packed-word (or packed-dword) field
pcmpeq	MM1, MM1	
psllw	MM1, n (psll MM1, n)	
		; two instructions above generate ; the signed constant -2^n in every ; packed-word (or packed-dword) field

NOTE

Because SIMD integer instruction sets do not support shift instructions for bytes, 2^n-1 and -2^n are relevant only for packed words and packed doublewords.

5.6 BUILDING BLOCKS

This section describes instructions and algorithms which implement common code building blocks.

5.6.1 Absolute Difference of Unsigned Numbers

Example 5-18 computes the absolute difference of two unsigned numbers. It assumes an unsigned packed-byte data type.

Here, we make use of the subtract instruction with unsigned saturation. This instruction receives UNSIGNED operands and subtracts them with UNSIGNED saturation. This support exists only for packed bytes and packed words, not for packed double-words.

Example 5-18. Absolute Difference of Two Unsigned Numbers

```

; Input:
;   MM0 source operand
;   MM1 source operand
; Output:
;   MM0 absolute difference of the unsigned
;   operands

movq  MM2, MM0 ; make a copy of MM0
psubusbMM0, MM1 ; compute difference one way
psubusbMM1, MM2 ; compute difference the other way
por   MM0, MM1 ; OR them together

```

This example will not work if the operands are signed. Note that PSADBW may also be used in some situations. See Section 5.6.9 for details.

5.6.2 Absolute Difference of Signed Numbers

Example 5-19 computes the absolute difference of two signed numbers using SSSE3 instruction PABSW. This sequence is more efficient than using previous generation of SIMD instruction extensions.

Example 5-19. Absolute Difference of Signed Numbers

```

; Input:
;   XMM0 signed source operand
;   XMM1 signed source operand
; Output:
;   XMM1 absolute difference of the unsigned
;   operands

psubw  XMM0, XMM1 ; subtract words
pabsw  XMM1, XMM0 ; results in XMM1

```

5.6.3 Absolute Value

Example 5-20 show an MMX code sequence to compute $|X|$, where X is signed. This example assumes signed words to be the operands.

With SSSE3, this sequence of three instructions can be replaced by the PABSW instruction. Additionally, SSSE3 provides a 128-bit version using XMM registers and supports byte, word and doubleword granularity.

Example 5-20. Computing Absolute Value

```

; Input:
;   MMO          signed source operand
; Output:
;   MM1          ABS(MMO)
pxor  MM1, MM1  ; set MM1 to all zeros
psubw MM1, MMO  ; make each MM1 word contain the
                  ; negative of each MMO word
pmaxswMM1, MMO  ; MM1 will contain only the positive
                  ; (larger) values - the absolute value

```

NOTE

The absolute value of the most negative number (that is, 8000H for 16-bit) cannot be represented using positive numbers. This algorithm will return the original value for the absolute value (8000H).

5.6.4 Pixel Format Conversion

SSSE3 provides the PSHUFB instruction to carry out byte manipulation within a 16-byte range. PSHUFB can replace a set of up to 12 other instruction, including SHIFT, OR, AND and MOV.

Use PSHUFB if the alternative code uses 5 or more instructions. Example 5-21 shows the basic form of conversion of color pixel formats.

Example 5-21. Basic C Implementation of RGBA to BGRA Conversion

```

Standard C Code:
struct RGBA{BYTE r,g,b,a};
struct BGRA{BYTE b,g,r,a};

```

Example 5-21. Basic C Implementation of RGBA to BGRA Conversion

```

void BGRA_RGBA_Convert(BGRA *source, RGBA *dest, int num_pixels)
{
    for(int i = 0; i < num_pixels; i++){
        dest[i].r = source[i].r;
        dest[i].g = source[i].g;
        dest[i].b = source[i].b;
        dest[i].a = source[i].a;
    }
}

```

Example 5-22 and Example 5-23 show SSE2 code and SSSE3 code for pixel format conversion. In the SSSE3 example, PSHUFB replaces six SSE2 instructions.

Example 5-22. Color Pixel Format Conversion Using SSE2

```

; Optimized for SSE2
mov esi, src
mov edi, dest
mov ecx, iterations
movdqa xmm0, ag_mask //{0,ff,0,ff,0,ff,0,ff,0,ff,0,ff,0,ff}
movdqa xmm5, rb_mask //{ff,0,ff,0,ff,0,ff,0,ff,0,ff,0,ff,0}
mov eax, remainder

convert16Pixs: // 16 pixels, 64 byte per iteration
movdqa xmm1, [esi] // xmm1 = [r3g3b3a3,r2g2b2a2,r1g1b1a1,r0g0b0a0]
movdqa xmm2, xmm1
movdqa xmm7, xmm1 //xmm7 abgr
psrld xmm2, 16 //xmm2 00ab
pslld xmm1, 16 //xmm1 gr00

por xmm1, xmm2 //xmm1 grab
pand xmm7, xmm0 //xmm7 a0g0
pand xmm1, xmm5 //xmm1 0r0b
por xmm1, xmm7 //xmm1 argb
movdqa [edi], xmm1

```

Example 5-22. Color Pixel Format Conversion Using SSE2 (Contd.)

```

//repeats for another 3*16 bytes
...

add esi, 64
add edi, 64
sub ecx, 1
jnz  convert16Pixs

```

Example 5-23. Color Pixel Format Conversion Using SSSE3

```

; Optimized for SSSE3
mov  esi, src
    mov  edi, dest
    mov  ecx, iterations
    movdqa xmm0, _shufb
// xmm0 = [15,12,13,14,11,8,9,10,7,4,5,6,3,0,1,2]
    mov  eax, remainder

convert16Pixs: // 16 pixels, 64 byte per iteration
    movdqa xmm1, [esi]
// xmm1 = [r3g3b3a3,r2g2b2a2,r1g1b1a1,r0g0b0a0]
    movdqa xmm2, [esi+16]
    pshufb xmm1, xmm0
// xmm1 = [b3g3r3a3,b2g2r2a2,b1g1r1a1,b0g0r0a0]
    movdqa [edi], xmm1

//repeats for another 3*16 bytes
...

add  esi, 64
add  edi, 64
sub  ecx, 1
jnz  convert16Pixs

```

5.6.5 Endian Conversion

The PSHUFB instruction can also be used to reverse byte ordering within a double-word. It is more efficient than traditional techniques, such as BSWAP.

Example 5-24 shows the traditional technique using four BSWAP instructions to reverse the bytes within a DWORD. Each BSWAP requires executing two μ ops. In addition, the code requires 4 loads and 4 stores for processing 4 DWORDs of data.

Example 5-25 shows an SSSE3 implementation of endian conversion using PSHUFB. The reversing of four DWORDs requires one load, one store, and PSHUFB.

On Intel Core microarchitecture, reversing 4 DWORDs using PSHUFB can be approximately twice as fast as using BSWAP.

Example 5-24. Big-Endian to Little-Endian Conversion Using BSWAP

```
lea eax, src
  lea ecx, dst
  mov edx, elCount
start:
  mov edi, [eax]
  mov esi, [eax+4]
  bswap edi
  mov ebx, [eax+8]

  bswap esi
  mov ebp, [eax+12]
  mov [ecx], edi
  mov [ecx+4], esi
  bswap ebx
  mov [ecx+8], ebx
  bswap ebp
  mov [ecx+12], ebp

  add eax, 16
  add ecx, 16
  sub edx, 4
  jnz start
```

Example 5-25. Big-Endian to Little-Endian Conversion Using PSHUFB

```

__declspec(align(16)) BYTE bswapMASK[16] =
{3,2,1,0, 7,6,5,4, 11,10,9,8, 15,14,13,12};
    lea eax, src
    lea ecx, dst
    mov edx, elCount
    movaps xmm7, bswapMASK

start:
    movdqa xmm0, [eax]
    pshufb xmm0, xmm7
    movdqa [ecx], xmm0

    add eax, 16
    add ecx, 16
    sub edx, 4
    jnz start

```

5.6.6 Clipping to an Arbitrary Range [High, Low]

This section explains how to clip a values to a range [HIGH, LOW]. Specifically, if the value is less than LOW or greater than HIGH, then clip to LOW or HIGH, respectively. This technique uses the packed-add and packed-subtract instructions with saturation (signed or unsigned), which means that this technique can only be used on packed-byte and packed-word data types.

The examples in this section use the constants PACKED_MAX and PACKED_MIN and show operations on word values. For simplicity, we use the following constants (corresponding constants are used in case the operation is done on byte values):

PACKED_MAX equals 0X7FFF7FFF7FFF7FFF

PACKED_MIN equals 0X8000800080008000

PACKED_LOW contains the value LOW in all four words of the packed-words data type

PACKED_HIGH contains the value HIGH in all four words of the packed-words data type

PACKED_USMAX all values equal 1

HIGH_US adds the HIGH value to all data elements (4 words) of PACKED_MIN

LOW_US adds the LOW value to all data elements (4 words) of PACKED_MIN

5.6.6.1 Highly Efficient Clipping

For clipping signed words to an arbitrary range, the PMAWSW and PMINSW instructions may be used. For clipping unsigned bytes to an arbitrary range, the PMAWSB and PMINUB instructions may be used.

OPTIMIZING FOR SIMD INTEGER APPLICATIONS

Example 5-26 shows how to clip signed words to an arbitrary range; the code for clipping unsigned bytes is similar.

Example 5-26. Clipping to a Signed Range of Words [High, Low]

```
; Input:
;   MM0      signed source operands
; Output:
;   MM0      signed words clipped to the signed
;             range [high, low]
pminsw MM0, packed_high
pmaxsw MM0, packed_low
```

Example 5-27. Clipping to an Arbitrary Signed Range [High, Low]

```
; Input:
;   MM0      signed source operands
; Output:
;   MM1      signed operands clipped to the unsigned
;             range [high, low]
paddw  MM0, packed_min      ; add with no saturation
                          ; 0x8000 to convert to unsigned
paddusw MM0, (packed_usmax - high_us)
                          ; in effect this clips to high
psubusw MM0, (packed_usmax - high_us + low_us)
                          ; in effect this clips to low
paddw  MM0, packed_low     ; undo the previous two offsets
```

The code above converts values to unsigned numbers first and then clips them to an unsigned range. The last instruction converts the data back to signed data and places the data within the signed range.

Conversion to unsigned data is required for correct results when $(\text{High} - \text{Low}) < 0\text{X}8000$. If $(\text{High} - \text{Low}) \geq 0\text{X}8000$, simplify the algorithm as in Example 5-28.

Example 5-28. Simplified Clipping to an Arbitrary Signed Range

```

; Input:      MM0      signed source operands
; Output:    MM1      signed operands clipped to the unsigned
;             range [high, low]
paddssw     MM0, (packed_max - packed_high)
             ; in effect this clips to high
psubssw     MM0, (packed_usmax - packed_high + packed_ow)
             ; clips to low
paddw       MM0, low   ; undo the previous two offsets

```

This algorithm saves a cycle when it is known that $(\text{High} - \text{Low}) \geq 0x8000$. The three-instruction algorithm does not work when $(\text{High} - \text{Low}) < 0x8000$ because $0xffff$ minus any number $< 0x8000$ will yield a number greater in magnitude than $0x8000$ (which is a negative number).

When the second instruction, `psubssw MM0, (0xffff - High + Low)` in the three-step algorithm (Example 5-28) is executed, a negative number is subtracted. The result of this subtraction causes the values in MM0 to be increased instead of decreased, as should be the case, and an incorrect answer is generated.

5.6.6.2 Clipping to an Arbitrary Unsigned Range [High, Low]

Example 5-29 clips an unsigned value to the unsigned range [High, Low]. If the value is less than low or greater than high, then clip to low or high, respectively. This technique uses the packed-add and packed-subtract instructions with unsigned saturation, thus the technique can only be used on packed-bytes and packed-words data types.

Figure 5-29 illustrates operation on word values.

Example 5-29. Clipping to an Arbitrary Unsigned Range [High, Low]

```

; Input:
;
;      MM0      unsigned source operands
; Output:
;
;      MM1      unsigned operands clipped to the unsigned
;             range [HIGH, LOW]
paddusw     MM0, 0xffff - high
             ; in effect this clips to high
psubusw     MM0, (0xffff - high + low)
             ; in effect this clips to low
paddw       MM0, low
             ; undo the previous two offsets

```

5.6.7 Packed Max/Min of Signed Word and Unsigned Byte

5.6.7.1 Signed Word

The PMAWSW instruction returns the maximum between four signed words in either of two SIMD registers, or one SIMD register and a memory location.

The PMINSW instruction returns the minimum between the four signed words in either of two SIMD registers, or one SIMD register and a memory location.

5.6.7.2 Unsigned Byte

The PMAWSB instruction returns the maximum between the eight unsigned bytes in either of two SIMD registers, or one SIMD register and a memory location.

The PMINSB instruction returns the minimum between the eight unsigned bytes in either of two SIMD registers, or one SIMD register and a memory location.

5.6.8 Packed Multiply High Unsigned

The PMULHUW/PMULHW instruction multiplies the unsigned/signed words in the destination operand with the unsigned/signed words in the source operand. The high-order 16 bits of the 32-bit intermediate results are written to the destination operand.

5.6.9 Packed Sum of Absolute Differences

The PSADBW instruction computes the absolute value of the difference of unsigned bytes for either two SIMD registers, or one SIMD register and a memory location. The differences are then summed to produce a word result in the lower 16-bit field, and the upper three words are set to zero. See Figure 5-9.

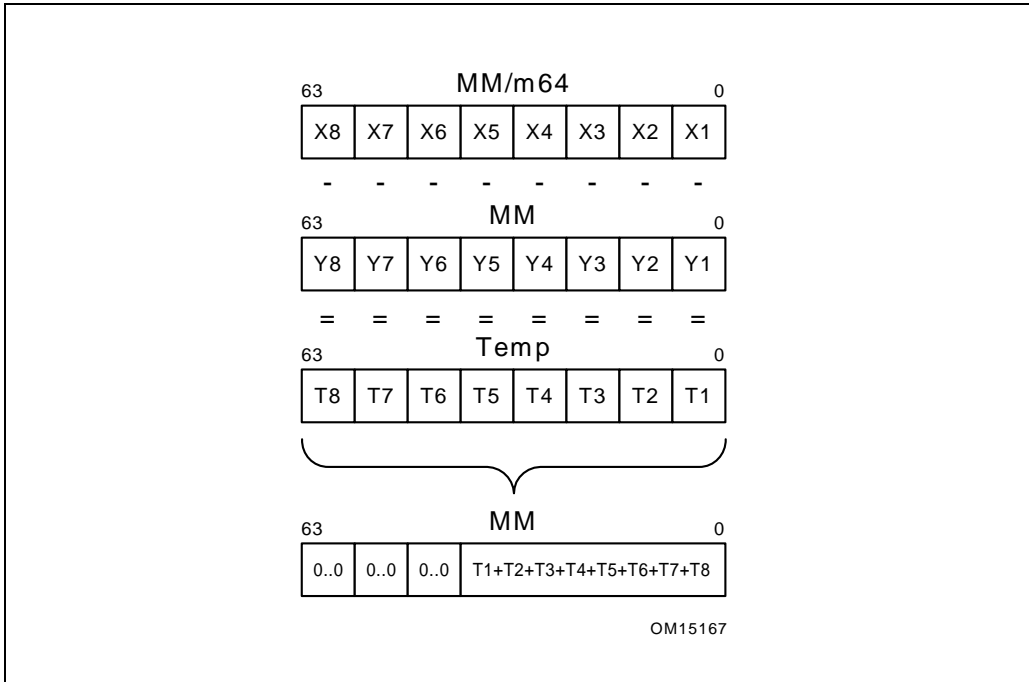


Figure 5-9. PSADBW Instruction Example

The subtraction operation presented above is an absolute difference. That is, $T = \text{ABS}(X - Y)$. Byte values are stored in temporary space, all values are summed together, and the result is written to the lower word of the destination register.

5.6.10 Packed Average (Byte/Word)

The PAVGB and PAVGW instructions add the unsigned data elements of the source operand to the unsigned data elements of the destination register, along with a carry-in. The results of the addition are then independently shifted to the right by one bit position. The high order bits of each element are filled with the carry bits of the corresponding sum.

The destination operand is an SIMD register. The source operand can either be an SIMD register or a memory operand.

The PAVGB instruction operates on packed unsigned bytes and the PAVGW instruction operates on packed unsigned words.

5.6.11 Complex Multiply by a Constant

Complex multiplication is an operation which requires four multiplications and two additions. This is exactly how the PMADDWD instruction operates. In order to use this instruction, you need to format the data into multiple 16-bit values. The real and imaginary components should be 16-bits each. Consider Example 5-30, which assumes that the 64-bit MMX registers are being used:

- Let the input data be DR and DI, where DR is real component of the data and DI is imaginary component of the data.
- Format the constant complex coefficients in memory as four 16-bit values [CR - CI CI CR]. Remember to load the values into the MMX register using MOVQ.
- The real component of the complex product is $PR = DR*CR - DI*CI$ and the imaginary component of the complex product is $PI = DR*CI + DI*CR$.
- The output is a packed doubleword. If needed, a pack instruction can be used to convert the result to 16-bit (thereby matching the format of the input).

Example 5-30. Complex Multiply by a Constant

```

; Input:
;           MM0           complex value, Dr, Di
;           MM1           constant complex coefficient in the form
;                           [Cr -Ci Ci Cr]
; Output:
;           MM0           two 32-bit dwords containing [Pr Pi]
;
punpckldq  MM0, MM0      ; makes [Dr Di Dr Di]
pmaddwd   MM0, MM1      ; done, the result is
                        ; [(Dr*Cr-Di*Ci)(Dr*Ci+Di*Cr)]

```

5.6.12 Packed 32*32 Multiply

The PMULUDQ instruction performs an unsigned multiply on the lower pair of double-word operands within 64-bit chunks from the two sources; the full 64-bit result from each multiplication is returned to the destination register.

This instruction is added in both a 64-bit and 128-bit version; the latter performs 2 independent operations, on the low and high halves of a 128-bit register.

5.6.13 Packed 64-bit Add/Subtract

The PADDQ/PSUBQ instructions add/subtract quad-word operands within each 64-bit chunk from the two sources; the 64-bit result from each computation is written to the destination register. Like the integer ADD/SUB instruction, PADDQ/PSUBQ can operate on either unsigned or signed (two's complement notation) integer operands.

When an individual result is too large to be represented in 64-bits, the lower 64-bits of the result are written to the destination operand and therefore the result wraps around. These instructions are added in both a 64-bit and 128-bit version; the latter performs 2 independent operations, on the low and high halves of a 128-bit register.

5.6.14 128-bit Shifts

The PSLLDQ/PSRLDQ instructions shift the first operand to the left/right by the number of bytes specified by the immediate operand. The empty low/high-order bytes are cleared (set to zero).

If the value specified by the immediate operand is greater than 15, then the destination is set to all zeros.

5.7 MEMORY OPTIMIZATIONS

You can improve memory access using the following techniques:

- Avoiding partial memory accesses
- Increasing the bandwidth of memory fills and video fills
- Prefetching data with Streaming SIMD Extensions. See Chapter 7, "Optimizing Cache Usage."

MMX registers and XMM registers allow you to move large quantities of data without stalling the processor. Instead of loading single array values that are 8, 16, or 32 bits long, consider loading the values in a single quadword or double quadword and then incrementing the structure or array pointer accordingly.

Any data that will be manipulated by SIMD integer instructions should be loaded using either:

- An SIMD integer instruction that loads a 64-bit or 128-bit operand (for example: `MOVQ MM0, M64`)
- The register-memory form of any SIMD integer instruction that operates on a quadword or double quadword memory operand (for example, `PMADDW MM0, M64`).

All SIMD data should be stored using an SIMD integer instruction that stores a 64-bit or 128-bit operand (for example: `MOVQ M64, MM0`)

The goal of the above recommendations is twofold. First, the loading and storing of SIMD data is more efficient using the larger block sizes. Second, following the above recommendations helps to avoid mixing of 8-, 16-, or 32-bit load and store operations with SIMD integer technology load and store operations to the same SIMD data.

This prevents situations in which small loads follow large stores to the same area of memory, or large loads follow small stores to the same area of memory. The Pentium II, Pentium III, and Pentium 4 processors may stall in such situations. See Chapter 3 for details.

5.7.1 Partial Memory Accesses

Consider a case with a large load after a series of small stores to the same area of memory (beginning at memory address `MEM`). The large load stalls in the case shown in Example 5-31.

Example 5-31. A Large Load after a Series of Small Stores (Penalty)

<code>mov</code>	<code>mem, eax</code>	<code>;</code>	<code>store dword to address "mem"</code>
<code>mov</code>	<code>mem + 4, ebx</code>	<code>;</code>	<code>store dword to address "mem + 4"</code>
	<code>:</code>		
	<code>:</code>		
<code>movq</code>	<code>mm0, mem</code>	<code>;</code>	<code>load qword at address "mem", stalls</code>

`MOVQ` must wait for the stores to write memory before it can access all data it requires. This stall can also occur with other data types (for example, when bytes or words are stored and then words or doublewords are read from the same area of memory). When you change the code sequence as shown in Example 5-32, the processor can access the data without delay.

Example 5-32. Accessing Data Without Delay

```

movd  mm1, ebx      ; build data into a qword first
                        ; before storing it to memory
movd  mm2, eax
psllq mm1, 32
por   mm1, mm2
movq  mem, mm1      ; store SIMD variable to "mem" as
                        ; a qword
:
:
movq  mm0, mem      ; load qword SIMD "mem", no stall

```

Consider a case with a series of small loads after a large store to the same area of memory (beginning at memory address MEM), as shown in Example 5-33. Most of the small loads stall because they are not aligned with the store. See Section 3.6.4, “Store Forwarding,” for details.

Example 5-33. A Series of Small Loads After a Large Store

```

movq  mem, mm0      ; store qword to address "mem"
:
:
mov   bx, mem + 2   ; load word at "mem + 2" stalls
mov   cx, mem + 4   ; load word at "mem + 4" stalls

```

The word loads must wait for the quadword store to write to memory before they can access the data they require. This stall can also occur with other data types (for example: when doublewords or words are stored and then words or bytes are read from the same area of memory).

When you change the code sequence as shown in Example 5-34, the processor can access the data without delay.

Example 5-34. Eliminating Delay for a Series of Small Loads after a Large Store

```

movq  mem, mm0      ; store qword to address "mem"
:
:
movq  mm1, mem      ; load qword at address "mem"
movd  eax, mm1      ; transfer "mem + 2" to eax from
                        ; MMX register, not memory

```

Example 5-34. Eliminating Delay for a Series of Small Loads after a Large Store (Contd.)

```

psrlq  mm1, 32
shr    eax, 16
movd   ebx, mm1    ; transfer "mem + 4" to bx from
                  ; MMX register, not memory
and    ebx, 0ffffh

```

These transformations, in general, increase the number of instructions required to perform the desired operation. For Pentium II, Pentium III, and Pentium 4 processors, the benefit of avoiding forwarding problems outweighs the performance penalty due to the increased number of instructions.

5.7.1.1 Supplemental Techniques for Avoiding Cache Line Splits

Video processing applications sometimes cannot avoid loading data from memory addresses that are not aligned to 16-byte boundaries. An example of this situation is when each line in a video frame is averaged by shifting horizontally half a pixel.

Example shows a common operation in video processing that loads data from memory address not aligned to a 16-byte boundary. As video processing traverses each line in the video frame, it experiences a cache line split for each 64 byte chunk loaded from memory.

Example 5-35. An Example of Video Processing with Cache Line Splits

```

// Average half-pels horizontally (on // the "x" axis),
// from one reference frame only.

nextLinesLoop:
movdqu xmm0, XMMWORD PTR [edx] // may not be 16B aligned
movdqu xmm0, XMMWORD PTR [edx+1]
movdqu xmm1, XMMWORD PTR [edx+eax]
movdqu xmm1, XMMWORD PTR [edx+eax+1]

pavgb xmm0, xmm1
pavgb xmm2, xmm3
movdqa XMMWORD PTR [ecx], xmm0
movdqa XMMWORD PTR [ecx+eax], xmm2
// (repeat ...)

```

SSE3 provides an instruction LDDQU for loading from memory address that are not 16-byte aligned. LDDQU is a special 128-bit unaligned load designed to avoid cache line splits. If the address of the load is aligned on a 16-byte boundary, LDDQU loads the 16 bytes requested. If the address of the load is not aligned on a 16-byte

boundary, LDDQU loads a 32-byte block starting at the 16-byte aligned address immediately below the address of the load request. It then provides the requested 16 bytes. If the address is aligned on a 16-byte boundary, the effective number of memory requests is implementation dependent (one, or more).

LDDQU is designed for programming usage of loading data from memory without storing modified data back to the same address. Thus, the usage of LDDQU should be restricted to situations where no store-to-load forwarding is expected. For situations where store-to-load forwarding is expected, use regular store/load pairs (either aligned or unaligned based on the alignment of the data accessed).

Example 5-36. Video Processing Using LDDQU to Avoid Cache Line Splits

```
// Average half-pels horizontally (on // the "x" axis),
// from one reference frame only.
nextLinesLoop:
lddqu xmm0, XMMWORD PTR [edx] // may not be 16B aligned
lddqu xmm0, XMMWORD PTR [edx+1]
lddqu xmm1, XMMWORD PTR [edx+eax]
lddqu xmm1, XMMWORD PTR [edx+eax+1]
pavgb xmm0, xmm1
pavgb xmm2, xmm3
movdqa XMMWORD PTR [ecx], xmm0 //results stored elsewhere
movdqa XMMWORD PTR [ecx+eax], xmm2
// (repeat ...)
```

5.7.2 Increasing Bandwidth of Memory Fills and Video Fills

It is beneficial to understand how memory is accessed and filled. A memory-to-memory fill (for example a memory-to-video fill) is defined as a 64-byte (cache line) load from memory which is immediately stored back to memory (such as a video frame buffer).

The following are guidelines for obtaining higher bandwidth and shorter latencies for sequential memory fills (video fills). These recommendations are relevant for all Intel architecture processors with MMX technology and refer to cases in which the loads and stores do not hit in the first- or second-level cache.

5.7.2.1 Increasing Memory Bandwidth Using the MOVDQ Instruction

Loading any size data operand will cause an entire cache line to be loaded into the cache hierarchy. Thus, any size load looks more or less the same from a memory bandwidth perspective. However, using many smaller loads consumes more microarchitectural resources than fewer larger stores. Consuming too many resources can

cause the processor to stall and reduce the bandwidth that the processor can request of the memory subsystem.

Using MOVDQ to store the data back to UC memory (or WC memory in some cases) instead of using 32-bit stores (for example, MOVD) will reduce by three-quarters the number of stores per memory fill cycle. As a result, using the MOVDQ in memory fill cycles can achieve significantly higher effective bandwidth than using MOVD.

5.7.2.2 Increasing Memory Bandwidth by Loading and Storing to and from the Same DRAM Page

DRAM is divided into pages, which are not the same as operating system (OS) pages. The size of a DRAM page is a function of the total size of the DRAM and the organization of the DRAM. Page sizes of several Kilobytes are common. Like OS pages, DRAM pages are constructed of sequential addresses. Sequential memory accesses to the same DRAM page have shorter latencies than sequential accesses to different DRAM pages.

In many systems the latency for a page miss (that is, an access to a different page instead of the page previously accessed) can be twice as large as the latency of a memory page hit (access to the same page as the previous access). Therefore, if the loads and stores of the memory fill cycle are to the same DRAM page, a significant increase in the bandwidth of the memory fill cycles can be achieved.

5.7.2.3 Increasing UC and WC Store Bandwidth by Using Aligned Stores

Using aligned stores to fill UC or WC memory will yield higher bandwidth than using unaligned stores. If a UC store or some WC stores cross a cache line boundary, a single store will result in two transactions on the bus, reducing the efficiency of the bus transactions. By aligning the stores to the size of the stores, you eliminate the possibility of crossing a cache line boundary, and the stores will not be split into separate transactions.

5.8 CONVERTING FROM 64-BIT TO 128-BIT SIMD INTEGERS

SSE2 defines a superset of 128-bit integer instructions currently available in MMX technology; the operation of the extended instructions remains. The superset simply operates on data that is twice as wide. This simplifies porting of 64-bit integer applications. However, there are few considerations:

- Computation instructions which use a memory operand that may not be aligned to a 16-byte boundary must be replaced with an unaligned 128-bit load (MOVDQU) followed by the same computation operation that uses instead register operands.

Use of 128-bit integer computation instructions with memory operands that are not 16-byte aligned will result in a #GP. Unaligned 128-bit loads and stores are not as efficient as corresponding aligned versions; this fact can reduce the performance gains when using the 128-bit SIMD integer extensions.

- General guidelines on the alignment of memory operands are:
 - The greatest performance gains can be achieved when all memory streams are 16-byte aligned.
 - Reasonable performance gains are possible if roughly half of all memory streams are 16-byte aligned and the other half are not.
 - Little or no performance gain may result if all memory streams are not aligned to 16-bytes. In this case, use of the 64-bit SIMD integer instructions may be preferable.
- Loop counters need to be updated because each 128-bit integer instruction operates on twice the amount of data as its 64-bit integer counterpart.
- Extension of the PSHUFW instruction (shuffle word across 64-bit integer operand) across a full 128-bit operand is emulated by a combination of the following instructions: PSHUFW, PSHUFLW, and PSHUFD.
- Use of the 64-bit shift by bit instructions (PSRLQ, PSLLO) are extended to 128 bits by:
 - Use of PSRLQ and PSLLO, along with masking logic operations
 - A Code sequence rewritten to use the PSRLDQ and PSLLDQ instructions (shift double quad-word operand by bytes)

5.8.1 SIMD Optimizations and Microarchitectures

Pentium M, Intel Core Solo and Intel Core Duo processors have a different microarchitecture than Intel NetBurst microarchitecture. The following sections discuss optimizing SIMD code that targets Intel Core Solo and Intel Core Duo processors.

On Intel Core Solo and Intel Core Duo processors, `lddqu` behaves identically to `movdqu` by loading 16 bytes of data irrespective of address alignment.

5.8.1.1 Packed SSE2 Integer versus MMX Instructions

In general, 128-bit SIMD integer instructions should be favored over 64-bit MMX instructions on Intel Core Solo and Intel Core Duo processors. This is because:

- Improved decoder bandwidth and more efficient μ op flows relative to the Pentium M processor
- Wider width of the XMM registers can benefit code that is limited by either decoder bandwidth or execution latency. XMM registers can provide twice the space to store data for in-flight execution. Wider XMM registers can facilitate

OPTIMIZING FOR SIMD INTEGER APPLICATIONS

loop-unrolling or in reducing loop overhead by halving the number of loop iterations.

In microarchitectures prior to Intel Core microarchitecture, execution throughput of 128-bit SIMD integration operations is basically the same as 64-bit MMX operations. Some shuffle/unpack/shift operations do not benefit from the front end improvements. The net impact of using 128-bit SIMD integer instruction on Intel Core Solo and Intel Core Duo processors is likely to be slightly positive overall, but there may be a few situations where their use will generate an unfavorable performance impact.

Intel Core microarchitecture generally executes SIMD instructions more efficiently than previous microarchitectures in terms of latency and throughput, many of the limitations specific to Intel Core Duo, Intel Core Solo processors do not apply. The same is true of Intel Core microarchitecture relative to Intel NetBurst microarchitectures.

CHAPTER 6

OPTIMIZING FOR SIMD FLOATING-POINT APPLICATIONS

This chapter discusses rules for optimizing for the single-instruction, multiple-data (SIMD) floating-point instructions available in Streaming SIMD Extensions (SSE), Streaming SIMD Extensions 2 (SSE2) and Streaming SIMD Extensions 3 (SSE3). The chapter also provides examples that illustrate the optimization techniques for single-precision and double-precision SIMD floating-point applications.

6.1 GENERAL RULES FOR SIMD FLOATING-POINT CODE

The rules and suggestions in this section help optimize floating-point code containing SIMD floating-point instructions. Generally, it is important to understand and balance port utilization to create efficient SIMD floating-point code. Basic rules and suggestions include the following:

- Follow all guidelines in Chapter 3 and Chapter 4.
- Mask exceptions to achieve higher performance. When exceptions are unmasked, software performance is slower.
- Utilize the flush-to-zero and denormals-are-zero modes for higher performance to avoid the penalty of dealing with denormals and underflows.
- Use the reciprocal instructions followed by iteration for increased accuracy. These instructions yield reduced accuracy but execute much faster. Note the following:
 - If reduced accuracy is acceptable, use them with no iteration.
 - If near full accuracy is needed, use a Newton-Raphson iteration.
 - If full accuracy is needed, then use divide and square root which provide more accuracy, but slow down performance.

6.2 PLANNING CONSIDERATIONS

Whether adapting an existing application or creating a new one, using SIMD floating-point instructions to achieve optimum performance gain requires programmers to consider several issues. In general, when choosing candidates for optimization, look for code segments that are computationally intensive and floating-point intensive. Also consider efficient use of the cache architecture.

The sections that follow answer the questions that should be raised before implementation:

- Can data layout be arranged to increase parallelism or cache utilization?

- Which part of the code benefits from SIMD floating-point instructions?
- Is the current algorithm the most appropriate for SIMD floating-point instructions?
- Is the code floating-point intensive?
- Do either single-precision floating-point or double-precision floating-point computations provide enough range and precision?
- Does the result of computation affected by enabling flush-to-zero or denormals-to-zero modes?
- Is the data arranged for efficient utilization of the SIMD floating-point registers?
- Is this application targeted for processors without SIMD floating-point instructions?

See also: Section 4.2, “Considerations for Code Conversion to SIMD Programming.”

6.3 USING SIMD FLOATING-POINT WITH X87 FLOATING-POINT

Because the XMM registers used for SIMD floating-point computations are separate registers and are not mapped to the existing x87 floating-point stack, SIMD floating-point code can be mixed with x87 floating-point or 64-bit SIMD integer code.

With Intel Core microarchitecture, 128-bit SIMD integer instructions provides substantially higher efficiency than 64-bit SIMD integer instructions. Software should favor using SIMD floating-point and integer instructions with XMM registers where possible.

6.4 SCALAR FLOATING-POINT CODE

There are SIMD floating-point instructions that operate only on the least-significant operand in the SIMD register. These instructions are known as scalar instructions. They allow the XMM registers to be used for general-purpose floating-point computations.

In terms of performance, scalar floating-point code can be equivalent to or exceed x87 floating-point code and has the following advantages:

- SIMD floating-point code uses a flat register model, whereas x87 floating-point code uses a stack model. Using scalar floating-point code eliminates the need to use FXCH instructions. These have performance limits on the Intel Pentium 4 processor.
- Mixing with MMX technology code without penalty.
- Flush-to-zero mode.
- Shorter latencies than x87 floating-point.

When using scalar floating-point instructions, it is not necessary to ensure that the data appears in vector form. However, the optimizations regarding alignment, scheduling, instruction selection, and other optimizations covered in Chapter 3 and Chapter 4 should be observed.

6.5 DATA ALIGNMENT

SIMD floating-point data is 16-byte aligned. Referencing unaligned 128-bit SIMD floating-point data will result in an exception unless `MOVUPS` or `MOVUPD` (move unaligned packed single or unaligned packed double) is used. The unaligned instructions used on aligned or unaligned data will also suffer a performance penalty relative to aligned accesses.

See also: Section 4.4, “Stack and Data Alignment.”

6.5.1 Data Arrangement

Because SSE and SSE2 incorporate SIMD architecture, arranging data to fully use the SIMD registers produces optimum performance. This implies contiguous data for processing, which leads to fewer cache misses. Correct data arrangement can potentially quadruple data throughput when using SSE or double throughput when using SSE2. Performance gains can occur because four data elements can be loaded with 128-bit load instructions into XMM registers using SSE (`MOVAPS`). Similarly, two data elements can be loaded with 128-bit load instructions into XMM registers using SSE2 (`MOVAPD`).

Refer to the Section 4.4, “Stack and Data Alignment,” for data arrangement recommendations. Duplicating and padding techniques overcome misalignment problems that occur in some data structures and arrangements. This increases the data space but avoids penalties for misaligned data access.

For some applications (for example: 3D geometry), traditional data arrangement requires some changes to fully utilize the SIMD registers and parallel techniques. Traditionally, the data layout has been an array of structures (AoS). To fully utilize the SIMD registers in such applications, a new data layout has been proposed — a structure of arrays (SoA) resulting in more optimized performance.

6.5.1.1 Vertical versus Horizontal Computation

The majority of the floating-point arithmetic instructions in SSE/SSE2 are focused on vertical data processing for parallel data elements. This means the destination of each element is the result of an arithmetic operation performed on input operands in the same vertical position (Figure 6-1).

To supplement these homogeneous arithmetic operations on parallel data elements, SSE and SSE2 provides data movement instructions (e.g., `SHUFPS`) that facilitate moving data elements horizontally.

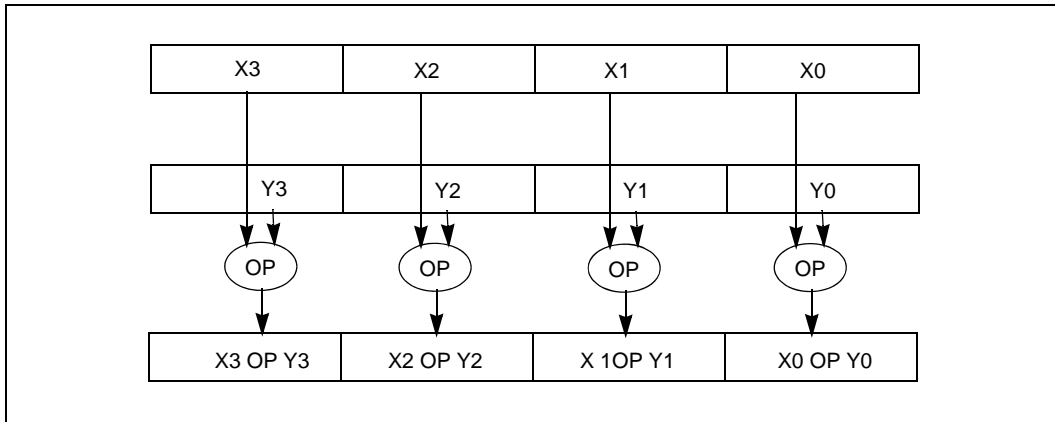


Figure 6-1. Homogeneous Operation on Parallel Data Elements

AoS data structures are often used in 3D geometry computations. SIMD technology can be applied to AoS data structure using a horizontal computation model. This means that X, Y, Z, and W components of a single vertex structure (that is, of a single vector simultaneously referred to as an XYZ data representation, see Figure 6-2) are computed in parallel, and the array is updated one vertex at a time.

When data structures are organized for the horizontal computation model, sometimes the availability of homogeneous arithmetic operations in SSE/SSE2 may cause inefficiency or require additional intermediate movement between data elements.

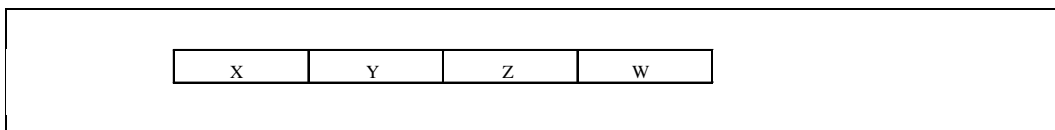


Figure 6-2. Horizontal Computation Model

Alternatively, the data structure can be organized in the SoA format. The SoA data structure enables a vertical computation technique, and is recommended over horizontal computation for many applications, for the following reasons:

- When computing on a single vector (XYZ), it is common to use only a subset of the vector components; for example, in 3D graphics the W component is sometimes ignored. This means that for single-vector operations, 1 of 4 computation slots is not being utilized. This typically results in a 25% reduction of peak efficiency.

- It may become difficult to hide long latency operations. For instance, another common function in 3D graphics is normalization, which requires the computation of a reciprocal square root (that is, $1/\sqrt{}$). Both the division and square root are long latency operations. With vertical computation (SoA), each of the 4 computation slots in a SIMD operation is producing a unique result, so the net latency per slot is $L/4$ where L is the overall latency of the operation. However, for horizontal computation, the four computation slots each produce the same result, hence to produce four separate results requires a net latency per slot of L .

To utilize all four computation slots, the vertex data can be reorganized to allow computation on each component of four separate vertices, that is, processing multiple vectors simultaneously. This can also be referred to as an SoA form of representing vertices data shown in Table 6-1.

Table 6-1. SoA Form of Representing Vertices Data

Vx array	X1	X2	X3	X4	Xn
Vy array	Y1	Y2	Y3	Y4	Yn
Vz array	Z1	Z2	Z3	Y4	Zn
Vw array	W1	W2	W3	W4	Wn

Organizing data in this manner yields a unique result for each computational slot for each arithmetic operation.

Vertical computation takes advantage of the inherent parallelism in 3D geometry processing of vertices. It assigns the computation of four vertices to the four compute slots of the Pentium III processor, thereby eliminating the disadvantages of the horizontal approach described earlier (using SSE alone). The dot product operation implements the SoA representation of vertices data. A schematic representation of dot product operation is shown in Figure 6-3.

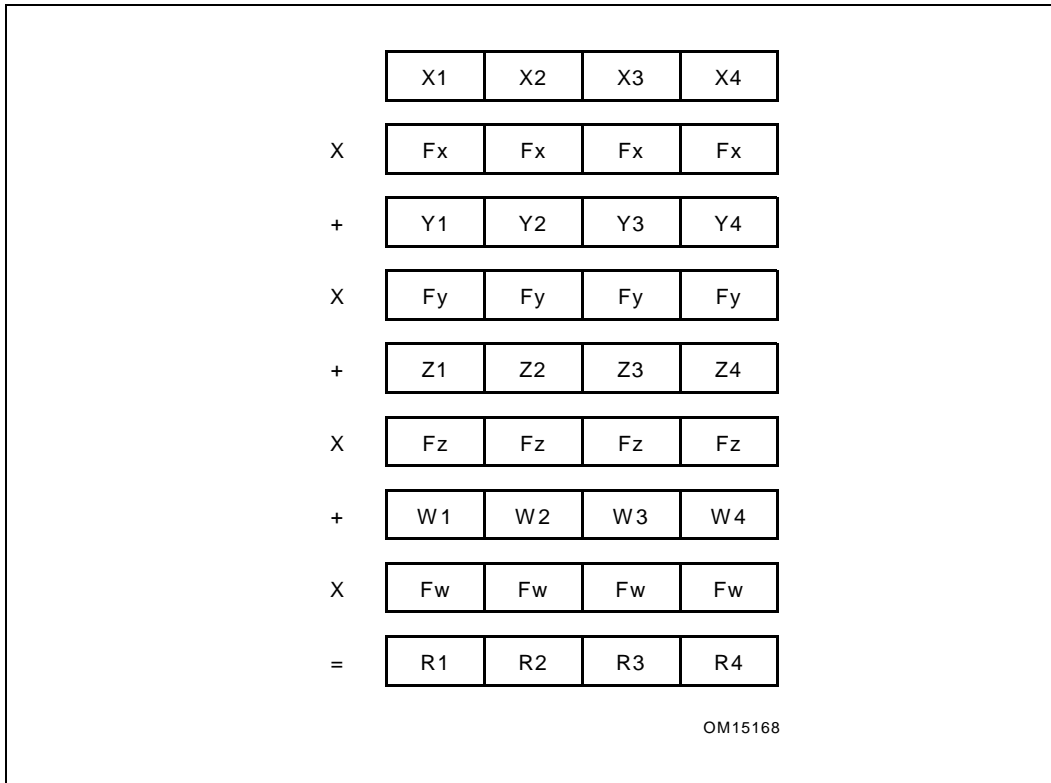


Figure 6-3. Dot Product Operation

Figure 6-3 shows how one result would be computed for seven instructions if the data were organized as AoS and using SSE alone: four results would require 28 instructions.

Example 6-1. Pseudocode for Horizontal (xyz, AoS) Computation

```

mulps      ; x*x', y*y', z*z'
movaps     ; reg->reg move, since next steps overwrite
shufps    ; get b,a,d,c from a,b,c,d
addps     ; get a+b,a+b,c+d,c+d
movaps     ; reg->reg move
shufps    ; get c+d,c+d,a+b,a+b from prior addps
addps     ; get a+b+c+d,a+b+c+d,a+b+c+d,a+b+c+d
    
```

Now consider the case when the data is organized as SoA. Example 6-2 demonstrates how four results are computed for five instructions.

Example 6-2. Pseudocode for Vertical (xxxx, yyyy, zzzz, SoA) Computation

```

mulps ; x*x' for all 4 x-components of 4 vertices
mulps ; y*y' for all 4 y-components of 4 vertices
mulps ; z*z' for all 4 z-components of 4 vertices
addps ; x*x' + y*y'
addps ; x*x'+y*y'+z*z'

```

For the most efficient use of the four component-wide registers, reorganizing the data into the SoA format yields increased throughput and hence much better performance for the instructions used.

As seen from this simple example, vertical computation yielded 100% use of the available SIMD registers and produced four results. (The results may vary based on the application.) If the data structures must be in a format that is not “friendly” to vertical computation, it can be rearranged “on the fly” to achieve full utilization of the SIMD registers. This operation is referred to as “swizzling” operation and the reverse operation is referred to as “deswizzling.”

6.5.1.2 Data Swizzling

Swizzling data from one format to another may be required in many algorithms when the available instruction set extension is limited (for example: only SSE is available). An example of this is AoS format, where the vertices come as XYZ adjacent coordinates. Rearranging them into SoA format (XXXX, YYYY, ZZZZ) allows more efficient SIMD computations.

For efficient data shuffling and swizzling use the following instructions:

- MOVLPS, MOVHPS load/store and move data on half sections of the registers.
- SHUFPS, UNPACKHPS, and UNPACKLPS unpack data.

To gather data from four different memory locations on the fly, follow these steps:

1. Identify the first half of the 128-bit memory location.
2. Group the different halves together using MOVLPS and MOVHPS to form an XYXY layout in two registers.
3. From the 4 attached halves, get XXXX by using one shuffle, YYYY by using another shuffle.

ZZZZ is derived the same way but only requires one shuffle. Example 6-3 illustrates the swizzle function.

Example 6-3. Swizzling Data

```

typedef struct _VERTEX_AOS {
    float x, y, z, color;
} Vertex_aos;           // AoS structure declaration
typedef struct _VERTEX_SOA {
    float x[4], float y[4], float z[4];
    float color[4];
} Vertex_soa;          // SoA structure declaration
void swizzle_asm (Vertex_aos *in, Vertex_soa *out)
{
// in mem: x1y1z1w1-x2y2z2w2-x3y3z3w3-x4y4z4w4-
// SWIZZLE XYZW --> XXXX
asm {
    mov ecx, in           // get structure addresses
    mov edx, out

y1 x1
    movhps xmm7, [ecx+16] // xmm7 = y2 x2 y1 x1
    movlps xmm0, [ecx+32] // xmm0 = --- y3 x3
    movhps xmm0, [ecx+48] // xmm0 = y4 x4 y3 x3
    movaps xmm6, xmm7     // xmm6 = y1 x1 y1 x1
    shufps xmm7, xmm0, 0x88 // xmm7 = x1 x2 x3 x4 => X
    shufps xmm6, xmm0, 0xDD // xmm6 = y1 y2 y3 y4 => Y
    movlps xmm2, [ecx+8]  // xmm2 = --- w1 z1
    movhps xmm2, [ecx+24] // xmm2 = w2 z2 u1 z1
    movlps xmm1, [ecx+40] // xmm1 = --- s3 z3

    movhps xmm1, [ecx+56] // xmm1 = w4 z4 w3 z3
    movaps xmm0, xmm2     // xmm0 = w1 z1 w1 z1
    shufps xmm2, xmm1, 0x88 // xmm2 = z1 z2 z3 z4 => Z
    movlps xmm7, [ecx]   // xmm7 = --shufps xmm0, xmm1,
                        // 0xDD xmm6 = w1 w2 w3 w4 => W

    movaps [edx], xmm7    // store X
    movaps [edx+16], xmm6 // store Y
    movaps [edx+32], xmm2 // store Z
    movaps [edx+48], xmm0 // store W
                        // SWIZZLE XYZ -> XXX
}
}

```

Example 6-4 shows the same data -swizzling algorithm encoded using the Intel C++ Compiler's intrinsics for SSE.

Example 6-4. Swizzling Data Using Intrinsics

```

//Intrinsics version of data swizzle
void swizzle_intrin (Vertex_aos *in, Vertex_soa *out, int stride)
{
  __m128 x, y, z, w;
  __m128 tmp;
  x = _mm_loadl_pi(x,(__m64 *(in));
  x = _mm_loadh_pi(x,(__m64 *(stride + (char *(in)));
  y = _mm_loadl_pi(y,(__m64 *(2*stride+(char *(in)));
  y = _mm_loadh_pi(y,(__m64 *(3*stride+(char *(in)));
  tmp = _mm_shuffle_ps( x, y, _MM_SHUFFLE( 2, 0, 2, 0));
  y = _mm_shuffle_ps( x, y, _MM_SHUFFLE( 3, 1, 3, 1));
  x = tmp;

  z = _mm_loadl_pi(z,(__m64 *(8 + (char *(in)));
  z = _mm_loadh_pi(z,(__m64 *(stride+8+(char *(in)));
  w = _mm_loadl_pi(w,(__m64 *(2*stride+8+(char*(in)));
  w = _mm_loadh_pi(w,(__m64 *(3*stride+8+(char*(in)));
  tmp = _mm_shuffle_ps( z, w, _MM_SHUFFLE( 2, 0, 2, 0));
  w = _mm_shuffle_ps( z, w, _MM_SHUFFLE( 3, 1, 3, 1));
  z = tmp;

  _mm_store_ps(&out->x[0], x);
  _mm_store_ps(&out->y[0], y);
  _mm_store_ps(&out->z[0], z);
  _mm_store_ps(&out->w[0], w);
}

```

NOTE

Avoid creating a dependence chain from previous computations because the MOVHPS/MOVLPS instructions bypass one part of the register. The same issue can occur with the use of an exclusive-OR function within an inner loop in order to clear a register: XORPS XMM0, XMM0; All 0's written to XMM0.

Although the generated result of all zeros does not depend on the specific data contained in the source operand (that is, XOR of a register with itself always produces all zeros), the instruction cannot execute until the instruction that generates XMM0 has completed. In the worst case, this creates a dependence chain that links successive iterations of the loop, even if those iterations are otherwise independent. The performance impact can be significant depending on how many other independent intra-loop computations are performed. Note that on the Pentium 4 processor, the SIMD integer PXOR instructions, if used with the same register, do break the dependence chain, eliminating false dependencies when clearing registers.

The same situation can occur for the above MOVHPS/MOVLPS/SHUFPS sequence. Since each MOVHPS/MOVLPS instruction bypasses part of the destination register, the instruction cannot execute until the prior instruction that generates this register has completed. As with the XORPS example, in the worst case this dependence can prevent successive loop iterations from executing in parallel.

A solution is to include a 128-bit load (that is, from a dummy local variable, such as TMP in Example 6-4) to each register to be used with a MOVHPS/MOVLPS instruction. This action effectively breaks the dependence by performing an independent load from a memory or cached location.

6.5.1.3 Data Deswizzling

In the deswizzle operation, we want to arrange the SoA format back into AoS format so the XXXX, YYYY, ZZZZ are rearranged and stored in memory as XYZ. To do this we can use the UNPCKLPS/UNPCKHPS instructions to regenerate the XYXY layout and then store each half (XY) into its corresponding memory location using MOVLPS/MOVHPS. This is followed by another MOVLPS/MOVHPS to store the Z component. Example 6-5 illustrates the deswizzle function:

Example 6-5. Deswizzling Single-Precision SIMD Data

```
void deswizzle_asm(Vertex_soa *in, Vertex_aos *out)
{
    __asm {
        mov    ecx, in                // load structure addresses
        mov    edx, out
        movaps xmm7, [ecx]           // load x1 x2 x3 x4 => xmm7
        movaps xmm6, [ecx+16]        // load y1 y2 y3 y4 => xmm6
        movaps xmm5, [ecx+32]        // load z1 z2 z3 z4 => xmm5
        movaps xmm4, [ecx+48]        // load w1 w2 w3 w4 => xmm4

    // START THE DESWIZZLING HERE
        movaps xmm0, xmm7            // xmm0= x1 x2 x3 x4
        unpcklps xmm7, xmm6          // xmm7= x1 y1 x2 y2
        movlps [edx], xmm7           // v1 = x1 y1 --
        movhps [edx+16], xmm7        // v2 = x2 y2 --
        unpckhps xmm0, xmm6          // xmm0= x3 y3 x4 y4
        movlps [edx+32], xmm0        // v3 = x3 y3 --
        movhps [edx+48], xmm0        // v4 = x4 y4 --
        movaps xmm0, xmm5            // xmm0= z1 z2 z3 z4
    }
```

Example 6-5. Deswizzling Single-Precision SIMD Data (Contd.)

```

unpcklps xmm5, xmm4           // xmm5= z1 w1 z2 w2
  unpckhps xmm0, xmm4         // xmm0= z3 w3 z4 w4
  movlps [edx+8], xmm5        // v1 = x1 y1 z1 w1
  movhps [edx+24], xmm5       // v2 = x2 y2 z2 w2
  movlps [edx+40], xmm0       // v3 = x3 y3 z3 w3
  movhps [edx+56], xmm0       // v4 = x4 y4 z4 w4
// DESWIZZLING ENDS HERE
}
}

```

You may have to swizzle data in the registers, but not in memory. This occurs when two different functions need to process the data in different layout. In lighting, for example, data comes as RRRR GGGG BBBB AAAA, and you must deswizzle them into RGBA before converting into integers. In this case, use the MOVLHPS/MOVHPS instructions to do the first part of the deswizzle followed by SHUFFLE instructions, see Example 6-6 and Example 6-7.

Example 6-6. Deswizzling Data Using the movlhps and shuffle Instructions

```

void deswizzle_rgb(Vertex_soa *in, Vertex_aos *out)
{
  //---deswizzle rgb---
  // assume: xmm1=rrrr, xmm2=gggg, xmm3=bbbb, xmm4=aaaa
  __asm {
    mov  ecx, in                // load structure addresses
    mov  edx, out
    movaps xmm1, [ecx]          // load r1 r2 r3 r4 => xmm1
    movaps xmm2, [ecx+16]       // load g1 g2 g3 g4 => xmm2
    movaps xmm3, [ecx+32]       // load b1 b2 b3 b4 => xmm3
    movaps xmm4, [ecx+48]       // load a1 a2 a3 a4 => xmm4
  // Start deswizzling here
    movaps xmm7, xmm4           // xmm7= a1 a2 a3 a4
    movhps xmm7, xmm3           // xmm7= b3 b4 a3 a4
    movaps xmm6, xmm2           // xmm6= g1 g2 g3 g4
    movhps xmm3, xmm4           // xmm3= b1 b2 a1 a2
    movhps xmm2, xmm1           // xmm2= r3 r4 g3 g4
    movhps xmm1, xmm6           // xmm1= r r2 g1 g2
    movaps xmm6, xmm2           // xmm6= r3 r4 g3 g4
    movaps xmm5, xmm1           // xmm5= r1 r2 g1 g2
    shufps xmm2, xmm7, 0xDD     // xmm2= r4 g4 b4 a4
    shufps xmm1, xmm3, 0x88     // xmm4= r1 g1 b1 a1
  }
}

```

Example 6-6. Deswizzling Data Using the movlhps and shuffle Instructions (Contd.)

```

shufps xmm5, xmm3, 0x88      // xmm5= r2 g2 b2 a2
shufps xmm6, xmm7, 0xDD     // xmm6= r3 g3 b3 a3
movaps [edx], xmm4          // v1 = r1 g1 b1 a1
movaps [edx+16], xmm5       // v2 = r2 g2 b2 a2
movaps [edx+32], xmm6       // v3 = r3 g3 b3 a3
movaps [edx+48], xmm2       // v4 = r4 g4 b4 a4
// DESWIZZLING ENDS HERE
}
}

```

Example 6-7. Deswizzling Data 64-bit Integer SIMD Data

```

void mmx_deswizzle(IVertex_soa *in, IVertex_aos *out)
{
  __asm {
    mov ebx, in
    mov edx, out
    movq mm0, [ebx]          // mm0= u1 u2
  }

  movq mm1, [ebx+16]        // mm1= v1 v2
  movq mm2, mm0             // mm2= u1 u2
  punpckhdq mm0, mm1        // mm0= u1 v1
  punpckldq mm2, mm1        // mm0= u2 v2
  movq [edx], mm2           // store u1 v1
  movq [edx+8], mm0         // store u2 v2

  movq mm4, [ebx+8]         // mm0= u3 u4
  movq mm5, [ebx+24]        // mm1= v3 v4
  movq mm6, mm4             // mm2= u3 u4
  punpckhdq mm4, mm5        // mm0= u3 v3
  punpckldq mm6, mm5        // mm0= u4 v4
  movq [edx+16], mm6        // store u3v3
  movq [edx+24], mm4        // store u4v4
}

```

6.5.1.4 Using MMX Technology Code for Copy or Shuffling Functions

If there are some parts in the code that are mainly copying, shuffling, or doing logical manipulations that do not require use of SSE code; consider performing these actions with MMX technology code. For example, if texture data is stored in memory as SoA (UUUU, VVVV) and the data needs only to be deswizzled into AoS layout (UV)

for the graphic cards to process, use either SSE or MMX technology code. Using MMX instructions allow you to conserve XMM registers for other computational tasks.

Example 6-8 illustrates how to use MMX technology code for copying or shuffling.

Example 6-8. Using MMX Technology Code for Copying or Shuffling

```

movq      mm0, [Uarray+ebx]      ; mm0= u1 u2
movq      mm1, [Varray+ebx]      ; mm1= v1 v2
movq      mm2, mm0               ; mm2= u1 u2
punpckhdq mm0, mm1              ; mm0= u1 v1
punpckldq mm2, mm1              ; mm2= u2 v2

movq      [Coords+edx], mm0      ; store u1 v1
movq      [Coords+8+edx], mm2    ; store u2 v2
movq      mm4, [Uarray+8+ebx]    ; mm4= u3 u4
movq      mm5, [Varray+8+ebx]    ; mm5= v3 v4
movq      mm6, mm4               ; mm6= u3 u4

punpckhdq mm4, mm5              ; mm4= u3 v3
punpckldq mm6, mm5              ; mm6= u4 v4
movq      [Coords+16+edx], mm4   ; store u3 v3
movq      [Coords+24+edx], mm6   ; store u4 v4

```

6.5.1.5 Horizontal ADD Using SSE

Although vertical computations generally make use of SIMD performance better than horizontal computations, in some cases, code must use a horizontal operation.

MOVLHPS/MOVHLPS and shuffle can be used to sum data horizontally. For example, starting with four 128-bit registers, to sum up each register horizontally while having the final results in one register, use the MOVLHPS/MOVHLPS to align the upper and lower parts of each register. This allows you to use a vertical add. With the resulting partial horizontal summation, full summation follows easily.

Figure 6-4 presents a horizontal add using MOVHLPS/MOVLHPS. Example 6-9 and Example 6-10 provide the code for this operation.

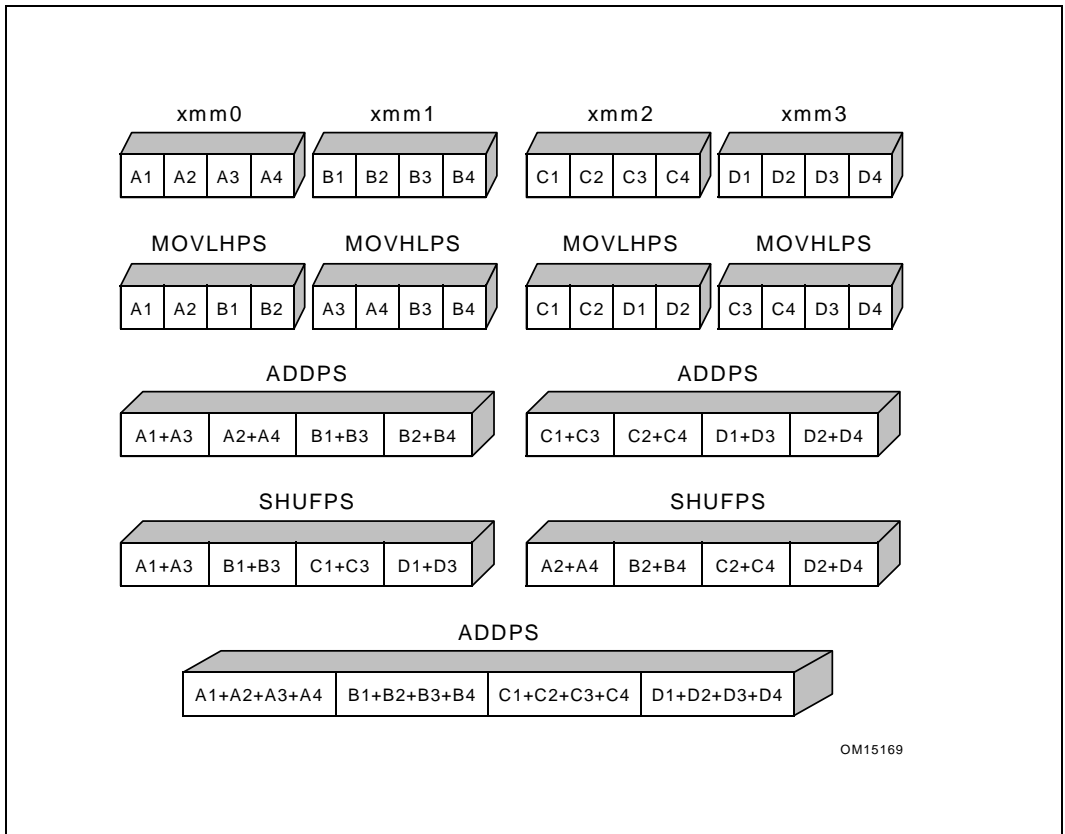


Figure 6-4. Horizontal Add Using MOVHLPS/MOVLHPS

Example 6-9. Horizontal Add Using MOVHLPS/MOVLHPS

```
void horiz_add(Vertex_soa *in, float *out) {
    __asm {
        mov    ecx, in           // load structure addresses
        mov    edx, out
        movaps xmm0, [ecx]      // load A1 A2 A3 A4 => xmm0
        movaps xmm1, [ecx+16]   // load B1 B2 B3 B4 => xmm1
        movaps xmm2, [ecx+32]   // load C1 C2 C3 C4 => xmm2
        movaps xmm3, [ecx+48]   // load D1 D2 D3 D4 => xmm3
    }
}
```

Example 6-9. Horizontal Add Using MOVHPS/MOVLHPS (Contd.)

```

// START HORIZONTAL ADD
movaps xmm5, xmm0           // xmm5= A1,A2,A3,A4
movlhps xmm5, xmm1         // xmm5= A1,A2,B1,B2
movhps xmm1, xmm0          // xmm1= A3,A4,B3,B4
addps  xmm5, xmm1          // xmm5= A1+A3,A2+A4,B1+B3,B2+B4

movaps xmm4, xmm2
movlhps xmm2, xmm3         // xmm2= C1,C2,D1,D2
movhps xmm3, xmm4         // xmm3= C3,C4,D3,D4
addps  xmm3, xmm2         // xmm3= C1+C3,C2+C4,D1+D3,D2+D4
movaps xmm6, xmm3         // xmm6= C1+C3,C2+C4,D1+D3,D2+D4
shufps xmm3, xmm5, 0xDD   //xmm6=A1+A3,B1+B3,C1+C3,D1+D3

shufps xmm5, xmm6, 0x88   // xmm5= A2+A4,B2+B4,C2+C4,D2+D4

addps  xmm6, xmm5         // xmm6= D,C,B,A
// END HORIZONTAL ADD
movaps [edx], xmm6
}
}

```

Example 6-10. Horizontal Add Using Intrinsics with MOVHPS/MOVLHPS

```

void horiz_add_intrin(Vertex_soa *in, float *out)
{
  __m128 v, v2, v3, v4;
  __m128 tmm0, tmm1, tmm2, tmm3, tmm4, tmm5, tmm6;

  tmm0 = _mm_load_ps(in->x);           // Temporary variables
  // tmm0 = A1 A2 A3 A4
  tmm1 = _mm_load_ps(in->y);           // tmm1 = B1 B2 B3 B4
  tmm2 = _mm_load_ps(in->z);           // tmm2 = C1 C2 C3 C4
  tmm3 = _mm_load_ps(in->w);           // tmm3 = D1 D2 D3 D4
  tmm5 = tmm0;                         // tmm0 = A1 A2 A3 A4
  tmm5 = _mm_movehl_ps(tmm5, tmm1);   // tmm5 = A1 A2 B1 B2
  tmm1 = _mm_movehl_ps(tmm1, tmm0);   // tmm1 = A3 A4 B3 B4
  tmm5 = _mm_add_ps(tmm5, tmm1);      // tmm5 = A1+A3 A2+A4 B1+B3 B2+B4
  tmm4 = tmm2;
}

```

Example 6-10. Horizontal Add Using Intrinsics with MOVHLPS/MOVLHPS (Contd.)

```

tmm2 = _mm_movelh_ps(tmm2, tmm3);    // tmm2 = C1 C2 D1 D2
tmm3 = _mm_movehl_ps(tmm3, tmm4);    // tmm3 = C3 C4 D3 D4
tmm3 = _mm_add_ps(tmm3, tmm2);        // tmm3 = C1+C3 C2+C4 D1+D3 D2+D4
tmm6 = tmm3;                          // tmm6 = C1+C3 C2+C4 D1+D3 D2+D4
tmm6 = _mm_shuffle_ps(tmm3, tmm5, 0xDD);
                                        // tmm6 = A1+A3 B1+B3 C1+C3 D1+D3
tmm5 = _mm_shuffle_ps(tmm5, tmm6, 0x88);
                                        // tmm5 = A2+A4 B2+B4 C2+C4 D2+D4
tmm6 = _mm_add_ps(tmm6, tmm5);        // tmm6 = A1+A2+A3+A4 B1+B2+B3+B4
                                        // C1+C2+C3+C4 D1+D2+D3+D4
_mm_store_ps(out, tmm6);
}

```

6.5.2 Use of CVTTPS2PI/CVTTSS2SI Instructions

The CVTTPS2PI and CVTTSS2SI instructions encode the truncate/chop rounding mode implicitly in the instruction. They take precedence over the rounding mode specified in the MXCSR register. This behavior can eliminate the need to change the rounding mode from round-nearest, to truncate/chop, and then back to round-nearest to resume computation.

Avoid frequent changes to the MXCSR register since there is a penalty associated with writing this register. Typically, when using CVTTPS2P/CVTTSS2SI, rounding control in MXCSR can always be set to round-nearest.

6.5.3 Flush-to-Zero and Denormals-are-Zero Modes

The flush-to-zero (FTZ) and denormals-are-zero (DAZ) modes are not compatible with the IEEE Standard 754. They are provided to improve performance for applications where underflow is common and where the generation of a denormalized result is not necessary.

See also: Section 3.8.2, “Floating-point Modes and Exceptions.”

6.6 SIMD OPTIMIZATIONS AND MICROARCHITECTURES

Pentium M, Intel Core Solo and Intel Core Duo processors have a different microarchitecture than Intel NetBurst microarchitecture. Intel Core microarchitecture offers significantly more efficient SIMD floating-point capability than previous microarchitectures. In addition, instruction latency and throughput of SSE3 instructions are

significantly improved in Intel Core microarchitecture over previous microarchitectures.

6.6.1 SIMD Floating-point Programming Using SSE3

SSE3 enhances SSE and SSE2 with nine instructions targeted for SIMD floating-point programming. In contrast to many SSE/SSE2 instructions offering homogeneous arithmetic operations on parallel data elements and favoring the vertical computation model, SSE3 offers instructions that performs asymmetric arithmetic operation and arithmetic operation on horizontal data elements.

ADDSUBPS and ADDSUBPD are two instructions with asymmetric arithmetic processing capability (see Figure 6-5). HADDPS, HADDPD, HSUBPS and HSUBPD offers horizontal arithmetic processing capability (see Figure 6-6). In addition: MOVSLDUP, MOVSHDUP and MOVDDUP load data from memory (or XMM register) and replicate data elements at once.

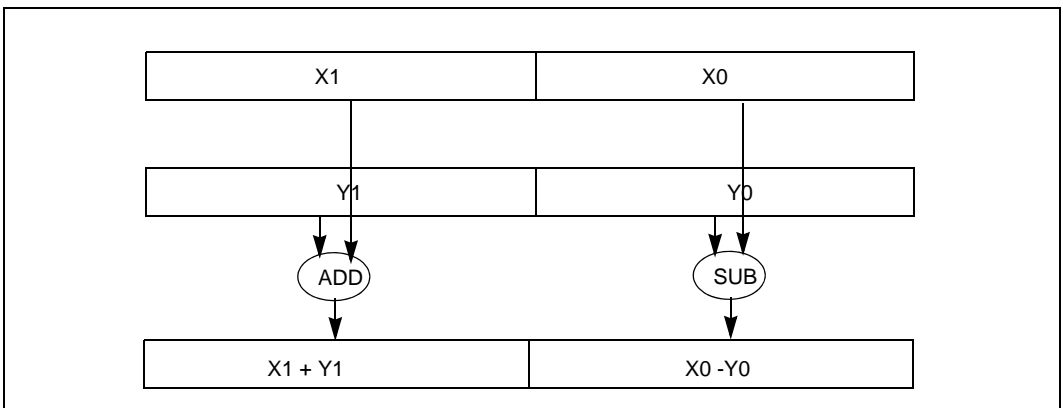


Figure 6-5. Asymmetric Arithmetic Operation of the SSE3 Instruction

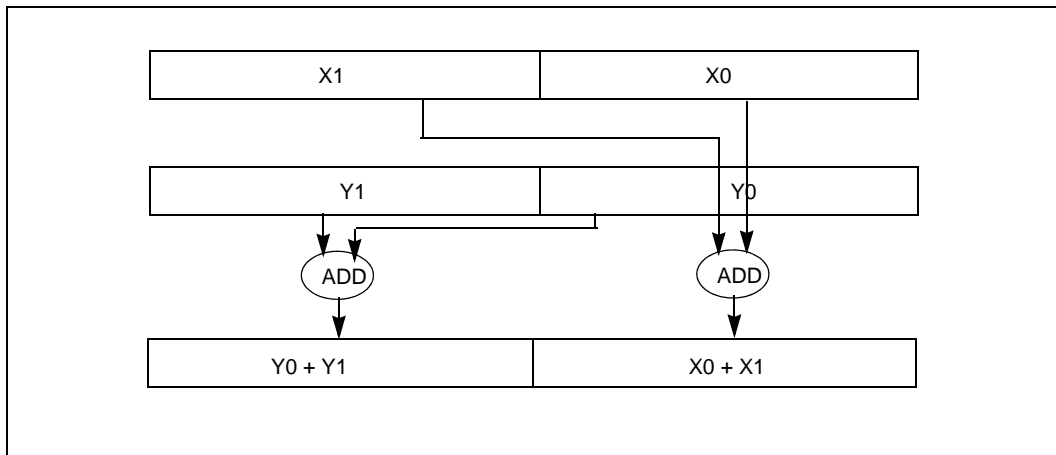


Figure 6-6. Horizontal Arithmetic Operation of the SSE3 Instruction HADDPD

6.6.1.1 SSE3 and Complex Arithmetics

The flexibility of SSE3 in dealing with AOS-type of data structure can be demonstrated by the example of multiplication and division of complex numbers. For example, a complex number can be stored in a structure consisting of its real and imaginary part. This naturally leads to the use of an array of structure. Example 6-11 demonstrates using SSE3 instructions to perform multiplications of single-precision complex numbers. Example 6-12 demonstrates using SSE3 instructions to perform division of complex numbers.

Example 6-11. Multiplication of Two Pair of Single-precision Complex Number

```
// Multiplication of (ak + i bk ) * (ck + i dk )
// a + i b can be stored as a data structure
movsldup xmm0, Src1; load real parts into the destination,
                    ; a1, a1, a0, a0

movaps xmm1, src2; load the 2nd pair of complex values,
                    ; i.e. d1, c1, d0, c0

mulps xmm0, xmm1; temporary results, a1d1, a1c1, a0d0,
                    ; a0c0

shufps xmm1, xmm1, b1; reorder the real and imaginary
                    ; parts, c1, d1, c0, d0

movshdup xmm2, Src1; load the imaginary parts into the
                    ; destination, b1, b1, b0, b0
```

Example 6-11. Multiplication of Two Pair of Single-precision Complex Number

```

mulps  xmm2, xmm1; temporary results, b1c1, b1d1, b0c0,
        ; b0d0
addsubps xmm0, xmm2; b1c1+a1d1, a1c1 -b1d1, b0c0+a0d0,
        ; a0c0-b0d0

```

Example 6-12. Division of Two Pair of Single-precision Complex Numbers

```

// Division of (ak + i bk) / (ck + i dk)
movshdup xmm0, Src1; load imaginary parts into the
        ; destination, b1, b1, b0, b0
movaps  xmm1, src2; load the 2nd pair of complex values,
        ; i.e. d1, c1, d0, c0
mulps  xmm0, xmm1; temporary results, b1d1, b1c1, b0d0,
        ; b0c0

shufps  xmm1, xmm1, b1; reorder the real and imaginary
        ; parts, c1, d1, c0, d0
movsldup xmm2, Src1; load the real parts into the
        ; destination, a1, a1, a0, a0

mulps  xmm2, xmm1; temp results, a1c1, a1d1, a0c0, a0d0
addsubps xmm0, xmm2; a1c1+b1d1, b1c1-a1d1, a0c0+b0d0,
        ; b0c0-a0d0

mulps  xmm1, xmm1 ; c1c1, d1d1, c0c0, d0d0
movps  xmm2, xmm1; c1c1, d1d1, c0c0, d0d0
shufps  xmm2, xmm2, b1; d1d1, c1c1, d0d0, c0c0
addps  xmm2, xmm1; c1c1+d1d1, c1c1+d1d1, c0c0+d0d0,
        ; c0c0+d0d0

divps  xmm0, xmm2
shufps  xmm0, xmm0, b1 ; (b1c1-a1d1)/(c1c1+d1d1),
        ; (a1c1+b1d1)/(c1c1+d1d1),
        ; (b0c0-a0d0)/(c0c0+d0d0),
        ; (a0c0+b0d0)/(c0c0+d0d0)

```

In both examples, the complex numbers are store in arrays of structures. MOVSLDUP, MOVSHDUP and the asymmetric ADDSUBPS allow performing complex arithmetics on two pair of single-precision complex number simultaneously and without any unnecessary swizzling between data elements.

Due to microarchitectural differences, software should implement multiplication of complex double-precision numbers using SSE3 instructions on processors based on

Intel Core microarchitecture. In Intel Core Duo and Intel Core Solo processors, software should use scalar SSE2 instructions to implement double-precision complex multiplication. This is because the data path between SIMD execution units is 128 bits in Intel Core microarchitecture, and only 64 bits in previous microarchitectures.

Example 6-13 shows two equivalent implementations of double-precision complex multiply of two pair of complex numbers using vector SSE2 versus SSE3 instructions. Example 6-14 shows the equivalent scalar SSE2 implementation.

Example 6-13. Double-Precision Complex Multiplication of Two Pairs

SSE2 Vector Implementation	SSE3 Vector Implementation
<pre>movapd xmm0,[eax] ;y x movapd xmm1,[eax+16];w z unpcklpd xmm1,xmm1 ;z z movapd xmm2,[eax+16];w z unpckhpd xmm2,xmm2 ;w w mulpd xmm1,xmm0 ;z*y z*x mulpd xmm2,xmm0 ;w*y w*x xorpd xmm2,xmm7 ;-w*y +w*x shufpd xmm2,xmm2,1 ;w*x -w*y addpd xmm2,xmm1 ;z*y+w*x z*x-w*y movapd [ecx],xmm2</pre>	<pre>movapd xmm0,[eax] ;y x movapd xmm1,[eax+16];z z movapd xmm2,xmm1 unpcklpd xmm1,xmm1 unpckhpd xmm2,xmm2 mulpd xmm1,xmm0 ;z*y z*x mulpd xmm2,xmm0 ;w*y w*x shufpd xmm2,xmm2,1 ;w*x w*y addsubpd xmm1,xmm2 ;w*x+z*y z*x-w*y movapd [ecx],xmm1</pre>

Example 6-14. Double-Precision Complex Multiplication Using Scalar SSE2

<pre>movsd xmm0,[eax] ;x movsd xmm5,[eax+8] ;y movsd xmm1,[eax+16] ;z movsd xmm2,[eax+24] ;w movsd xmm3,xmm1 ;z movsd xmm4,xmm2 ;w mulsd xmm1,xmm0 ;z*x mulsd xmm2,xmm0 ;w*x mulsd xmm3,xmm5 ;z*y mulsd xmm4,xmm5 ;w*y subsd xmm1,xmm4 ;z*x - w*y addsd xmm3,xmm2 ;z*y + w*x movsd [ecx],xmm1 movsd [ecx+8],xmm3</pre>
--

6.6.1.2 SSE3 and Horizontal Computation

SIMD floating-point operations: Sometimes the AOS type of data organization are more natural in many algebraic formula. SSE3 enhances the flexibility of SIMD programming for applications that rely on the horizontal computation model. SSE3 offers several instructions that are capable of horizontal arithmetic operations.

With Intel Core microarchitecture, the latency and throughput of SSE3 instructions for horizontal computation have been significantly improved over previous microarchitectures.

Example 6-15 compares using SSE2 and SSE3 to implement the dot product of a pair of vectors consisting of four element each. The performance of calculating dot products can be further improved by unrolling to calculate four pairs of vectors per iteration. See Example 6-16.

In both cases, the SSE3 versions are faster than the SSE2 implementations.

Example 6-15. Dot Product of Vector Length 4

Optimized for Intel Core Duo Processor	Optimized for Intel Core Microarchitecture
<pre>movaps xmm0, [eax] mulps xmm0, [eax+16] movhps xmm1, xmm0 addps xmm0, xmm1 pshufd xmm1, xmm0, 1 addss xmm0, xmm1 movss [ecx], xmm0</pre>	<pre>movaps xmm0, [eax] mulps xmm0, [eax+16] haddps xmm0, xmm0 movaps xmm1, xmm0 psrlq xmm0, xmm1 addss xmm0, xmm1 movss [eax], xmm0</pre>

Example 6-16. Unrolled Implementation of Four Dot Products

SSE2 Implementation	SSE3 Implementation
<pre>movaps xmm0, [eax] mulps xmm0, [eax+16] ;w0*w1 z0*z1 y0*y1 x0*x1 movaps xmm2, [eax+32] mulps xmm2, [eax+16+32] ;w2*w3 z2*z3 y2*y3 x2*x3 movaps xmm3, [eax+64] mulps xmm3, [eax+16+64] ;w4*w5 z4*z5 y4*y5 x4*x5 movaps xmm4, [eax+96] mulps xmm4, [eax+16+96] ;w6*w7 z6*z7 y6*y7 x6*x7</pre>	<pre>movaps xmm0, [eax] mulps xmm0, [eax+16] movaps xmm1, [eax+32] mulps xmm1, [eax+16+32] movaps xmm2, [eax+64] mulps xmm2, [eax+16+64] movaps xmm3, [eax+96] mulps xmm3, [eax+16+96] haddps xmm0, xmm1 haddps xmm2, xmm3 haddps xmm0, xmm2 movaps [ecx], xmm0</pre>

Example 6-16. Unrolled Implementation of Four Dot Products (Contd.)

SSE2 Implementation	SSE3 Implementation
<pre> movaps xmm1, xmm0 unpcklps xmm0, xmm2 ; y2*y3 y0*y1 x2*x3 x0*x1 unpckhps xmm1, xmm2 ; w2*w3 w0*w1 z2*z3 z0*z1 movaps xmm5, xmm3 unpcklps xmm3, xmm4 ; y6*y7 y4*y5 x6*x7 x4*x5 unpckhps xmm5, xmm4 ; w6*w7 w4*w5 z6*z7 z4*z5 addps xmm0, xmm1 addps xmm5, xmm3 movaps xmm1, xmm5 movhlps xmm1, xmm0 movlhps xmm0, xmm5 addps xmm0, xmm1 movaps [ecx], xmm0 </pre>	

6.6.1.3 Packed Floating-Point Performance in Intel Core Duo Processor

Most packed SIMD floating-point code will speed up on Intel Core Solo processors relative to Pentium M processors. This is due to improvement in decoding packed SIMD instructions.

The improvement of packed floating-point performance on the Intel Core Solo processor over Pentium M processor depends on several factors. Generally, code that is decoder-bound and/or has a mixture of integer and packed floating-point instructions can expect significant gain. Code that is limited by execution latency and has a “cycles per instructions” ratio greater than one will not benefit from decoder improvement.

When targeting complex arithmetics on Intel Core Solo and Intel Core Duo processors, using single-precision SSE3 instructions can deliver higher performance than alternatives. On the other hand, tasks requiring double-precision complex arithmetics may perform better using scalar SSE2 instructions on Intel Core Solo and Intel Core Duo processors. This is because scalar SSE2 instructions can be dispatched through two ports and executed using two separate floating-point units.

Packed horizontal SSE3 instructions (HADDPS and HSUBPS) can simplify the code sequence for some tasks. However, these instruction consist of more than five micro-ops on Intel Core Solo and Intel Core Duo processors. Care must be taken to ensure the latency and decoding penalty of the horizontal instruction does not offset any algorithmic benefits.

CHAPTER 7

OPTIMIZING CACHE USAGE

Over the past decade, processor speed has increased. Memory access speed has increased at a slower pace. The resulting disparity has made it important to tune applications in one of two ways: either (a) a majority of data accesses are fulfilled from processor caches, or (b) effectively masking memory latency to utilize peak memory bandwidth as much as possible.

Hardware prefetching mechanisms are enhancements in microarchitecture to facilitate the latter aspect, and will be most effective when combined with software tuning. The performance of most applications can be considerably improved if the data required can be fetched from the processor caches or if memory traffic can take advantage of hardware prefetching effectively.

Standard techniques to bring data into the processor before it is needed involve additional programming which can be difficult to implement and may require special steps to prevent performance degradation. Streaming SIMD Extensions addressed this issue by providing various prefetch instructions.

Streaming SIMD Extensions introduced the various non-temporal store instructions. SSE2 extends this support to new data types and also introduces non-temporal store support for the 32-bit integer registers.

This chapter focuses on:

- Hardware Prefetch Mechanism, Software Prefetch and Cacheability Instructions — Discusses microarchitectural feature and instructions that allow you to affect data caching in an application.
- Memory Optimization Using Hardware Prefetching, Software Prefetch and Cacheability Instructions — Discusses techniques for implementing memory optimizations using the above instructions.

NOTE

In a number of cases presented, the prefetching and cache utilization described are specific to current implementations of Intel NetBurst microarchitecture but are largely applicable for the future processors.

- Using deterministic cache parameters to manage cache hierarchy.

7.1 GENERAL PREFETCH CODING GUIDELINES

The following guidelines will help you to reduce memory traffic and utilize peak memory system bandwidth more effectively when large amounts of data movement must originate from the memory system:

OPTIMIZING CACHE USAGE

- Take advantage of the hardware prefetcher's ability to prefetch data that are accessed in linear patterns, in either a forward or backward direction.
- Take advantage of the hardware prefetcher's ability to prefetch data that are accessed in a regular pattern with access strides that are substantially smaller than half of the trigger distance of the hardware prefetch (see Table 2-6).
- Use a current-generation compiler, such as the Intel C++ Compiler that supports C++ language-level features for Streaming SIMD Extensions. Streaming SIMD Extensions and MMX technology instructions provide intrinsics that allow you to optimize cache utilization. Examples of Intel compiler intrinsics include: `_mm_prefetch`, `_mm_stream` and `_mm_load`, `_mm_sfence`. For details, refer to Intel C++ Compiler User's Guide documentation.
- Facilitate compiler optimization by:
 - Minimize use of global variables and pointers.
 - Minimize use of complex control flow.
 - Use the `const` modifier, avoid register modifier.
 - Choose data types carefully (see below) and avoid type casting.
- Use cache blocking techniques (for example, strip mining) as follows:
 - Improve cache hit rate by using cache blocking techniques such as strip-mining (one dimensional arrays) or loop blocking (two dimensional arrays)
 - Explore using hardware prefetching mechanism if your data access pattern has sufficient regularity to allow alternate sequencing of data accesses (for example: tiling) for improved spatial locality. Otherwise use `PREFETCHNTA`.
- Balance single-pass versus multi-pass execution:
 - Single-pass, or unlayered execution passes a single data element through an entire computation pipeline.
 - Multi-pass, or layered execution performs a single stage of the pipeline on a batch of data elements before passing the entire batch on to the next stage.
 - If your algorithm is single-pass use `PREFETCHNTA`. If your algorithm is multi-pass use `PREFETCHT0`.
- Resolve memory bank conflict issues. Minimize memory bank conflicts by applying array grouping to group contiguously used data together or by allocating data within 4-KByte memory pages.
- Resolve cache management issues. Minimize the disturbance of temporal data held within processor's caches by using streaming store instructions.
- Optimize software prefetch scheduling distance:
 - Far ahead enough to allow interim computations to overlap memory access time.
 - Near enough that prefetched data is not replaced from the data cache.

- Use software prefetch concatenation. Arrange prefetches to avoid unnecessary prefetches at the end of an inner loop and to prefetch the first few iterations of the inner loop inside the next outer loop.
- Minimize the number of software prefetches. Prefetch instructions are not completely free in terms of bus cycles, machine cycles and resources; excessive usage of prefetches can adversely impact application performance.
- Interleave prefetches with computation instructions. For best performance, software prefetch instructions must be interspersed with computational instructions in the instruction sequence (rather than clustered together).

7.2 HARDWARE PREFETCHING OF DATA

Pentium M, Intel Core Solo, and Intel Core Duo processors and processors based on Intel Core microarchitecture and Intel NetBurst microarchitecture provide hardware data prefetch mechanisms which monitor application data access patterns and prefetches data automatically. This behavior is automatic and does not require programmer intervention.

For processors based on Intel NetBurst microarchitecture, characteristics of the hardware data prefetcher are:

1. It requires two successive cache misses in the last level cache to trigger the mechanism; these two cache misses must satisfy the condition that strides of the cache misses are less than the trigger distance of the hardware prefetch mechanism (see Table 2-6).
2. Attempts to stay 256 bytes ahead of current data access locations.
3. Follows only one stream per 4-KByte page (load or store).
4. Can prefetch up to 8 simultaneous, independent streams from eight different 4-KByte regions
5. Does not prefetch across 4-KByte boundary. This is independent of paging modes.
6. Fetches data into second/third-level cache.
7. Does not prefetch UC or WC memory types.
8. Follows load and store streams. Issues Read For Ownership (RFO) transactions for store streams and Data Reads for load streams.

Other than items 2 and 4 discussed above, most other characteristics also apply to Pentium M, Intel Core Solo and Intel Core Duo processors. The hardware prefetcher implemented in the Pentium M processor fetches data to a second level cache. It can track 12 independent streams in the forward direction and 4 independent streams in the backward direction. The hardware prefetcher of Intel Core Solo processor can track 16 forward streams and 4 backward streams. On the Intel Core Duo processor, the hardware prefetcher in each core fetches data independently.

Hardware prefetch mechanisms of processors based on Intel Core microarchitecture are discussed in Section 3.7.3 and Section 3.7.4. Despite differences in hardware implementation technique, the overall benefit of hardware prefetching to software are similar between Intel Core microarchitecture and prior microarchitectures.

7.3 PREFETCH AND CACHEABILITY INSTRUCTIONS

The PREFETCH instruction, inserted by the programmers or compilers, accesses a minimum of two cache lines of data on the Pentium 4 processor prior to the data actually being needed (one cache line of data on the Pentium M processor). This hides the latency for data access in the time required to process data already resident in the cache.

Many algorithms can provide information in advance about the data that is to be required. In cases where memory accesses are in long, regular data patterns; the automatic hardware prefetcher should be favored over software prefetches.

The cacheability control instructions allow you to control data caching strategy in order to increase cache efficiency and minimize cache pollution.

Data reference patterns can be classified as follows:

- **Temporal** — Data will be used again soon
- **Spatial** — Data will be used in adjacent locations (for example, on the same cache line).
- **Non-temporal** — Data which is referenced once and not reused in the immediate future (for example, for some multimedia data types, as the vertex buffer in a 3D graphics application).

These data characteristics are used in the discussions that follow.

7.4 PREFETCH

This section discusses the mechanics of the software PREFETCH instructions. In general, software prefetch instructions should be used to supplement the practice of tuning an access pattern to suit the automatic hardware prefetch mechanism.

7.4.1 Software Data Prefetch

The PREFETCH instruction can hide the latency of data access in performance-critical sections of application code by allowing data to be fetched in advance of actual usage. PREFETCH instructions do not change the user-visible semantics of a program, although they may impact program performance. PREFETCH merely provides a hint to the hardware and generally does not generate exceptions or faults.

PREFETCH loads either non-temporal data or temporal data in the specified cache level. This data access type and the cache level are specified as a hint. Depending on the implementation, the instruction fetches 32 or more aligned bytes (including the specified address byte) into the instruction-specified cache levels.

PREFETCH is implementation-specific; applications need to be tuned to each implementation to maximize performance.

NOTE

Using the PREFETCH instruction is recommended only if data does not fit in cache.

PREFETCH provides a hint to the hardware; it does not generate exceptions or faults except for a few special cases (see Section 7.4.3, “Prefetch and Load Instructions”). However, excessive use of PREFETCH instructions may waste memory bandwidth and result in a performance penalty due to resource constraints.

Nevertheless, PREFETCH can lessen the overhead of memory transactions by preventing cache pollution and by using caches and memory efficiently. This is particularly important for applications that share critical system resources, such as the memory bus. See an example in Section 7.7.2.1, “Video Encoder.”

PREFETCH is mainly designed to improve application performance by hiding memory latency in the background. If segments of an application access data in a predictable manner (for example, using arrays with known strides), they are good candidates for using PREFETCH to improve performance.

Use the PREFETCH instructions in:

- Predictable memory access patterns
- Time-consuming innermost loops
- Locations where the execution pipeline may stall if data is not available

7.4.2 Prefetch Instructions - Pentium® 4 Processor Implementation

Streaming SIMD Extensions include four PREFETCH instructions variants, one non-temporal and three temporal. They correspond to two types of operations, temporal and non-temporal.

NOTE

At the time of PREFETCH, if data is already found in a cache level that is closer to the processor than the cache level specified by the instruction, no data movement occurs.

The non-temporal instruction is:

- **PREFETCHNTA**— Fetch the data into the second-level cache, minimizing cache pollution.

Temporal instructions are:

- **PREFETCHNT0** — Fetch the data into all cache levels; that is, to the second-level cache for the Pentium 4 processor.
- **PREFETCHNT1** — This instruction is identical to PREFETCHT0.
- **PREFETCHNT2** — This instruction is identical to PREFETCHT0.

7.4.3 Prefetch and Load Instructions

The Pentium 4 processor has a decoupled execution and memory architecture that allows instructions to be executed independently with memory accesses (if there are no data and resource dependencies). Programs or compilers can use dummy load instructions to imitate PREFETCH functionality; but preloading is not completely equivalent to using PREFETCH instructions. PREFETCH provides greater performance than preloading.

Currently, PREFETCH provides greater performance than preloading because:

- Has no destination register, it only updates cache lines.
- Does not stall the normal instruction retirement.
- Does not affect the functional behavior of the program.
- Has no cache line split accesses.
- Does not cause exceptions except when the LOCK prefix is used. The LOCK prefix is not a valid prefix for use with PREFETCH.
- Does not complete its own execution if that would cause a fault.

Currently, the advantage of PREFETCH over preloading instructions are processor-specific. This may change in the future.

There are cases where a PREFETCH will not perform the data prefetch. These include:

- PREFETCH causes a DTLB (Data Translation Lookaside Buffer) miss. This applies to Pentium 4 processors with CPUID signature corresponding to family 15, model 0, 1, or 2. PREFETCH resolves DTLB misses and fetches data on Pentium 4 processors with CPUID signature corresponding to family 15, model 3.
- An access to the specified address that causes a fault/exception.
- If the memory subsystem runs out of request buffers between the first-level cache and the second-level cache.
- PREFETCH targets an uncacheable memory region (for example, USWC and UC).
- The LOCK prefix is used. This causes an invalid opcode exception.

7.5 CACHEABILITY CONTROL

This section covers the mechanics of cacheability control instructions.

7.5.1 The Non-temporal Store Instructions

This section describes the behavior of streaming stores and reiterates some of the information presented in the previous section.

In Streaming SIMD Extensions, the MOVNTPS, MOVNTPD, MOVNTQ, MOVNTDQ, MOVNTI, MASKMOVQ and MASKMOVDQU instructions are streaming, non-temporal stores. With regard to memory characteristics and ordering, they are similar to the Write-Combining (WC) memory type:

- **Write combining** — Successive writes to the same cache line are combined.
- **Write collapsing** — Successive writes to the same byte(s) result in only the last write being visible.
- **Weakly ordered** — No ordering is preserved between WC stores or between WC stores and other loads or stores.
- **Uncacheable and not write-allocating** — Stored data is written around the cache and will not generate a read-for-ownership bus request for the corresponding cache line.

7.5.1.1 Fencing

Because streaming stores are weakly ordered, a fencing operation is required to ensure that the stored data is flushed from the processor to memory. Failure to use an appropriate fence may result in data being “trapped” within the processor and will prevent visibility of this data by other processors or system agents.

WC stores require software to ensure coherence of data by performing the fencing operation. See Section 7.5.4, “FENCE Instructions.”

7.5.1.2 Streaming Non-temporal Stores

Streaming stores can improve performance by:

- Increasing store bandwidth if the 64 bytes that fit within a cache line are written consecutively (since they do not require read-for-ownership bus requests and 64 bytes are combined into a single bus write transaction).
- Reducing disturbance of frequently used cached (temporal) data (since they write around the processor caches).

Streaming stores allow cross-aliasing of memory types for a given memory region. For instance, a region may be mapped as write-back (WB) using page attribute tables (PAT) or memory type range registers (MTRRs) and yet is written using a streaming store.

7.5.1.3 Memory Type and Non-temporal Stores

Memory type can take precedence over a non-temporal hint, leading to the following considerations:

- If the programmer specifies a non-temporal store to strongly-ordered uncacheable memory (for example, Uncacheable (UC) or Write-Protect (WP) memory types), then the store behaves like an uncacheable store. The non-temporal hint is ignored and the memory type for the region is retained.
- If the programmer specifies the weakly-ordered uncacheable memory type of Write-Combining (WC), then the non-temporal store and the region have the same semantics and there is no conflict.
- If the programmer specifies a non-temporal store to cacheable memory (for example, Write-Back (WB) or Write-Through (WT) memory types), two cases may result:
 - **CASE 1** — If the data is present in the cache hierarchy, the instruction will ensure consistency. A particular processor may choose different ways to implement this. The following approaches are probable: (a) updating data in-place in the cache hierarchy while preserving the memory type semantics assigned to that region or (b) evicting the data from the caches and writing the new non-temporal data to memory (with WC semantics).

The approaches (separate or combined) can be different for future processors. Pentium 4, Intel Core Solo and Intel Core Duo processors implement the latter policy (of evicting data from all processor caches). The Pentium M processor implements a combination of both approaches.

If the streaming store hits a line that is present in the first-level cache, the store data is combined in place within the first-level cache. If the streaming store hits a line present in the second-level, the line and stored data is flushed from the second-level to system memory.

- **CASE 2** — If the data is not present in the cache hierarchy and the destination region is mapped as WB or WT; the transaction will be weakly ordered and is subject to all WC memory semantics. This non-temporal store will not write-allocate. Different implementations may choose to collapse and combine such stores.

7.5.1.4 Write-Combining

Generally, WC semantics require software to ensure coherence with respect to other processors and other system agents (such as graphics cards). Appropriate use of synchronization and a fencing operation must be performed for producer-consumer usage models (see Section 7.5.4, “FENCE Instructions”). Fencing ensures that all system agents have global visibility of the stored data. For instance, failure to fence may result in a written cache line staying within a processor, and the line would not be visible to other agents.

For processors which implement non-temporal stores by updating data in-place that already resides in the cache hierarchy, the destination region should also be mapped as WC. Otherwise, if mapped as WB or WT, there is a potential for speculative processor reads to bring the data into the caches. In such a case, non-temporal stores would then update in place and data would not be flushed from the processor by a subsequent fencing operation.

The memory type visible on the bus in the presence of memory type aliasing is implementation-specific. As one example, the memory type written to the bus may reflect the memory type for the first store to the line, as seen in program order. Other alternatives are possible. This behavior should be considered reserved and dependence on the behavior of any particular implementation risks future incompatibility.

7.5.2 Streaming Store Usage Models

The two primary usage domains for streaming store are coherent requests and non-coherent requests.

7.5.2.1 Coherent Requests

Coherent requests are normal loads and stores to system memory, which may also hit cache lines present in another processor in a multiprocessor environment. With coherent requests, a streaming store can be used in the same way as a regular store that has been mapped with a WC memory type (PAT or MTRR). An SFENCE instruction must be used within a producer-consumer usage model in order to ensure coherency and visibility of data between processors.

Within a single-processor system, the CPU can also re-read the same memory location and be assured of coherence (that is, a single, consistent view of this memory location). The same is true for a multiprocessor (MP) system, assuming an accepted MP software producer-consumer synchronization policy is employed.

7.5.2.2 Non-coherent requests

Non-coherent requests arise from an I/O device, such as an AGP graphics card, that reads or writes system memory using non-coherent requests, which are not reflected on the processor bus and thus will not query the processor's caches. An SFENCE instruction must be used within a producer-consumer usage model in order to ensure coherency and visibility of data between processors. In this case, if the processor is writing data to the I/O device, a streaming store can be used with a processor with any behavior of Case 1 (Section 7.5.1.3) only if the region has also been mapped with a WC memory type (PAT, MTRR).

NOTE

Failure to map the region as WC may allow the line to be speculatively read into the processor caches (via the wrong path of a mispredicted branch).

In case the region is not mapped as WC, the streaming might update in-place in the cache and a subsequent SFENCE would not result in the data being written to system memory. Explicitly mapping the region as WC in this case ensures that any data read from this region will not be placed in the processor's caches. A read of this memory location by a non-coherent I/O device would return incorrect/out-of-date results.

For a processor which solely implements Case 2 (Section 7.5.1.3), a streaming store can be used in this non-coherent domain without requiring the memory region to also be mapped as WB, since any cached data will be flushed to memory by the streaming store.

7.5.3 Streaming Store Instruction Descriptions

MOVNTQ/MOVNTDQ (non-temporal store of packed integer in an MMX technology or Streaming SIMD Extensions register) store data from a register to memory. They are implicitly weakly-ordered, do no write-allocate, and so minimize cache pollution.

MOVNTPS (non-temporal store of packed single precision floating point) is similar to MOVNTQ. It stores data from a Streaming SIMD Extensions register to memory in 16-byte granularity. Unlike MOVNTQ, the memory address must be aligned to a 16-byte boundary or a general protection exception will occur. The instruction is implicitly weakly-ordered, does not write-allocate, and thus minimizes cache pollution.

MASKMOVQ/MASKMOVDQU (non-temporal byte mask store of packed integer in an MMX technology or Streaming SIMD Extensions register) store data from a register to the location specified by the EDI register. The most significant bit in each byte of the second mask register is used to selectively write the data of the first register on a per-byte basis. The instructions are implicitly weakly-ordered (that is, successive stores may not write memory in original program-order), do not write-allocate, and thus minimize cache pollution.

7.5.4 FENCE Instructions

The following fence instructions are available: SFENCE, IFENCE, and MFENCE.

7.5.4.1 SFENCE Instruction

The SFENCE (STORE FENCE) instruction makes it possible for every STORE instruction that precedes an SFENCE in program order to be globally visible before any STORE that follows the SFENCE. SFENCE provides an efficient way of ensuring ordering between routines that produce weakly-ordered results.

The use of weakly-ordered memory types can be important under certain data sharing relationships (such as a producer-consumer relationship). Using weakly-ordered memory can make assembling the data more efficient, but care must be taken to ensure that the consumer obtains the data that the producer intended to see.

Some common usage models may be affected by weakly-ordered stores. Examples are:

- Library functions, which use weakly-ordered memory to write results
- Compiler-generated code, which also benefits from writing weakly-ordered results
- Hand-crafted code

The degree to which a consumer of data knows that the data is weakly-ordered can vary for different cases. As a result, SFENCE should be used to ensure ordering between routines that produce weakly-ordered data and routines that consume this data.

7.5.4.2 LFENCE Instruction

The LFENCE (LOAD FENCE) instruction makes it possible for every LOAD instruction that precedes the LFENCE instruction in program order to be globally visible before any LOAD instruction that follows the LFENCE.

The LFENCE instruction provides a means of segregating LOAD instructions from other LOADs.

7.5.4.3 MFENCE Instruction

The MFENCE (MEMORY FENCE) instruction makes it possible for every LOAD/STORE instruction preceding MFENCE in program order to be globally visible before any LOAD/STORE following MFENCE. MFENCE provides a means of segregating certain memory instructions from other memory references.

The use of a LFENCE and SFENCE is not equivalent to the use of a MFENCE since the load and store fences are not ordered with respect to each other. In other words, the load fence can be executed before prior stores and the store fence can be executed before prior loads.

MFENCE should be used whenever the cache line flush instruction (CLFLUSH) is used to ensure that speculative memory references generated by the processor do not interfere with the flush. See Section 7.5.5, "CLFLUSH Instruction."

7.5.5 CLFLUSH Instruction

The CLFLUSH instruction invalidates the cache line associated with the linear address that contain the byte address of the memory location, in all levels of the processor cache hierarchy (data and instruction). This invalidation is broadcast throughout the coherence domain. If, at any level of the cache hierarchy, a line is inconsistent with memory (dirty), it is written to memory before invalidation. Other characteristics include:

- The data size affected is the cache coherency size, which is 64 bytes on Pentium 4 processor.
- The memory attribute of the page containing the affected line has no effect on the behavior of this instruction.
- The CLFLUSH instruction can be used at all privilege levels and is subject to all permission checking and faults associated with a byte load.

CLFLUSH is an unordered operation with respect to other memory traffic, including other CLFLUSH instructions. Software should use a memory fence for cases where ordering is a concern.

As an example, consider a video usage model where a video capture device is using non-coherent AGP accesses to write a capture stream directly to system memory. Since these non-coherent writes are not broadcast on the processor bus, they will not flush copies of the same locations that reside in the processor caches. As a result, before the processor re-reads the capture buffer, it should use CLFLUSH to ensure that stale copies of the capture buffer are flushed from the processor caches. Due to speculative reads that may be generated by the processor, it is important to observe appropriate fencing (using MFENCE).

Example 7-1 provides pseudo-code for CLFLUSH usage.

Example 7-1. Pseudo-code Using CLFLUSH

```
while (!buffer_ready) {}
mfence
  for(i=0;i<num_cachelines;i+=cacheline_size) {
    clflush (char *)((unsigned int)buffer + i)
  }
mfence
prefnta buffer[0];
VAR = buffer[0];
```

7.6 MEMORY OPTIMIZATION USING PREFETCH

The Pentium 4 processor has two mechanisms for data prefetch: software-controlled prefetch and an automatic hardware prefetch.

7.6.1 Software-Controlled Prefetch

The software-controlled prefetch is enabled using the four PREFETCH instructions introduced with Streaming SIMD Extensions instructions. These instructions are hints to bring a cache line of data in to various levels and modes in the cache hierarchy. The software-controlled prefetch is not intended for prefetching code. Using it can incur significant penalties on a multiprocessor system when code is shared.

Software prefetching has the following characteristics:

- Can handle irregular access patterns which do not trigger the hardware prefetcher.
- Can use less bus bandwidth than hardware prefetching; see below.
- Software prefetches must be added to new code, and do not benefit existing applications.

7.6.2 Hardware Prefetch

Automatic hardware prefetch can bring cache lines into the unified last-level cache based on prior data misses. It will attempt to prefetch two cache lines ahead of the prefetch stream. Characteristics of the hardware prefetcher are:

- It requires some regularity in the data access patterns.
 - If a data access pattern has constant stride, hardware prefetching is effective if the access stride is less than half of the trigger distance of hardware prefetcher (see Table 2-6).
 - If the access stride is not constant, the automatic hardware prefetcher can mask memory latency if the strides of two successive cache misses are less than the trigger threshold distance (small-stride memory traffic).
 - The automatic hardware prefetcher is most effective if the strides of two successive cache misses remain less than the trigger threshold distance and close to 64 bytes.
- There is a start-up penalty before the prefetcher triggers and there may be fetches an array finishes. For short arrays, overhead can reduce effectiveness.
 - The hardware prefetcher requires a couple misses before it starts operating.
 - Hardware prefetching generates a request for data beyond the end of an array, which is not be utilized. This behavior wastes bus bandwidth. In addition this behavior results in a start-up penalty when fetching the beginning of the next array. Software prefetching may recognize and handle these cases.
- It will not prefetch across a 4-KByte page boundary. A program has to initiate demand loads for the new page before the hardware prefetcher starts prefetching from the new page.

- The hardware prefetcher may consume extra system bandwidth if the application's memory traffic has significant portions with strides of cache misses greater than the trigger distance threshold of hardware prefetch (large-stride memory traffic).
- The effectiveness with existing applications depends on the proportions of small-stride versus large-stride accesses in the application's memory traffic. An application with a preponderance of small-stride memory traffic with good temporal locality will benefit greatly from the automatic hardware prefetcher.
- In some situations, memory traffic consisting of a preponderance of large-stride cache misses can be transformed by re-arrangement of data access sequences to alter the concentration of small-stride cache misses at the expense of large-stride cache misses to take advantage of the automatic hardware prefetcher.

7.6.3 Example of Effective Latency Reduction with Hardware Prefetch

Consider the situation that an array is populated with data corresponding to a constant-access-stride, circular pointer chasing sequence (see Example 7-2). The potential of employing the automatic hardware prefetching mechanism to reduce the effective latency of fetching a cache line from memory can be illustrated by varying the access stride between 64 bytes and the trigger threshold distance of hardware prefetch when populating the array for circular pointer chasing.

Example 7-2. Populating an Array for Circular Pointer Chasing with Constant Stride

```

register char ** p;
char *next;      // Populating pArray for circular pointer
                  // chasing with constant access stride
                  // p = (char **) *p; loads a value pointing to next load
p = (char **)&pArray;

for ( i = 0; i < aperture; i += stride) {
    p = (char **)&pArray[i];
    if (i + stride >= g_array_aperture) {
        next = &pArray[0];
    }

    else {
        next = &pArray[i + stride];
    }

    *p = next; // populate the address of the next node
}

```

The effective latency reduction for several microarchitecture implementations is shown in Figure 7-1. For a constant-stride access pattern, the benefit of the auto-

matic hardware prefetcher begins at half the trigger threshold distance and reaches maximum benefit when the cache-miss stride is 64 bytes.

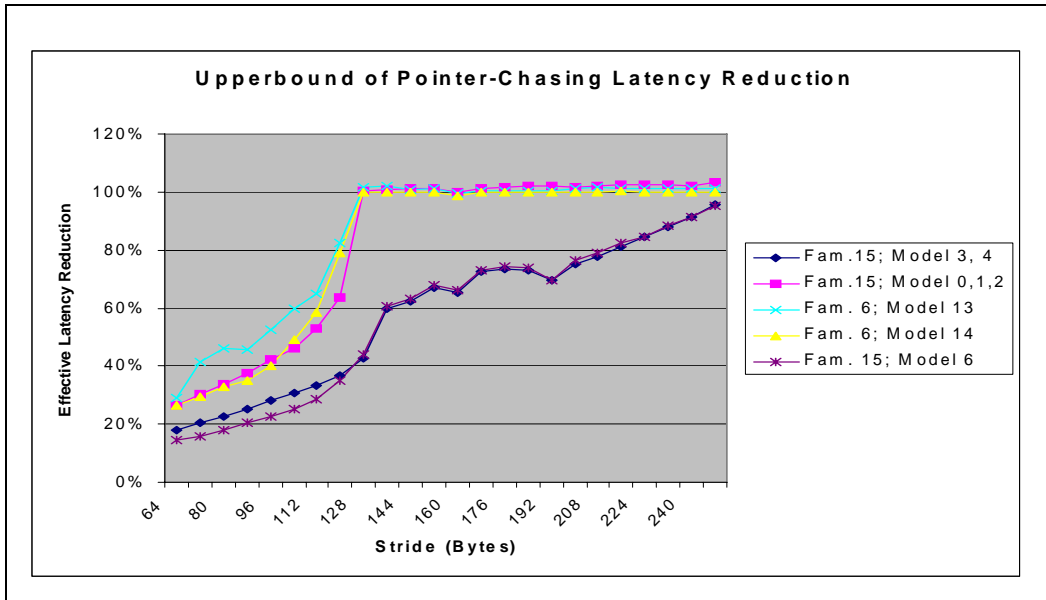


Figure 7-1. Effective Latency Reduction as a Function of Access Stride

7.6.4 Example of Latency Hiding with S/W Prefetch Instruction

Achieving the highest level of memory optimization using PREFETCH instructions requires an understanding of the architecture of a given machine. This section translates the key architectural implications into several simple guidelines for programmers to use.

Figure 7-2 and Figure 7-3 show two scenarios of a simplified 3D geometry pipeline as an example. A 3D-geometry pipeline typically fetches one vertex record at a time and then performs transformation and lighting functions on it. Both figures show two separate pipelines, an execution pipeline, and a memory pipeline (front-side bus).

Since the Pentium 4 processor (similar to the Pentium II and Pentium III processors) completely decouples the functionality of execution and memory access, the two pipelines can function concurrently. Figure 7-2 shows “bubbles” in both the execution and memory pipelines. When loads are issued for accessing vertex data, the execution units sit idle and wait until data is returned. On the other hand, the memory bus sits idle while the execution units are processing vertices. This scenario severely decreases the advantage of having a decoupled architecture.

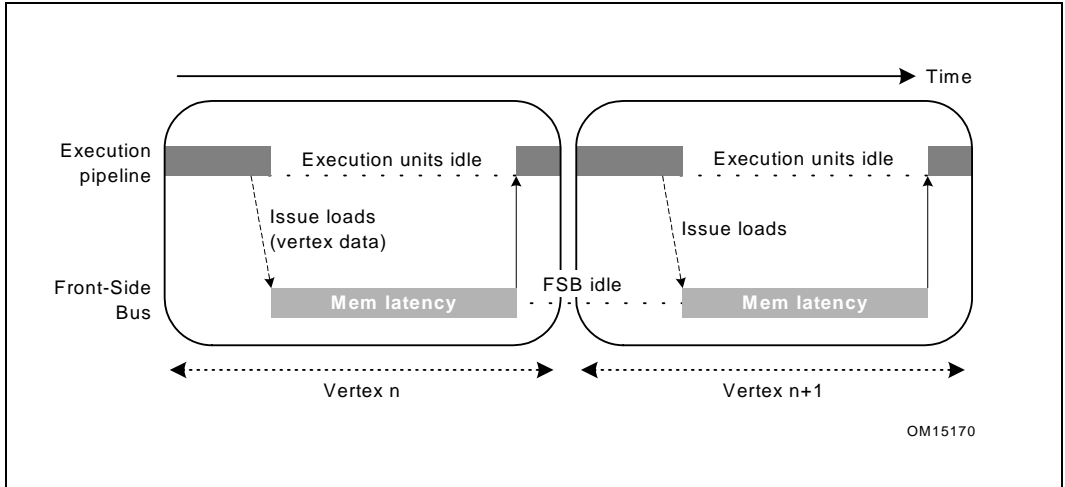


Figure 7-2. Memory Access Latency and Execution Without Prefetch

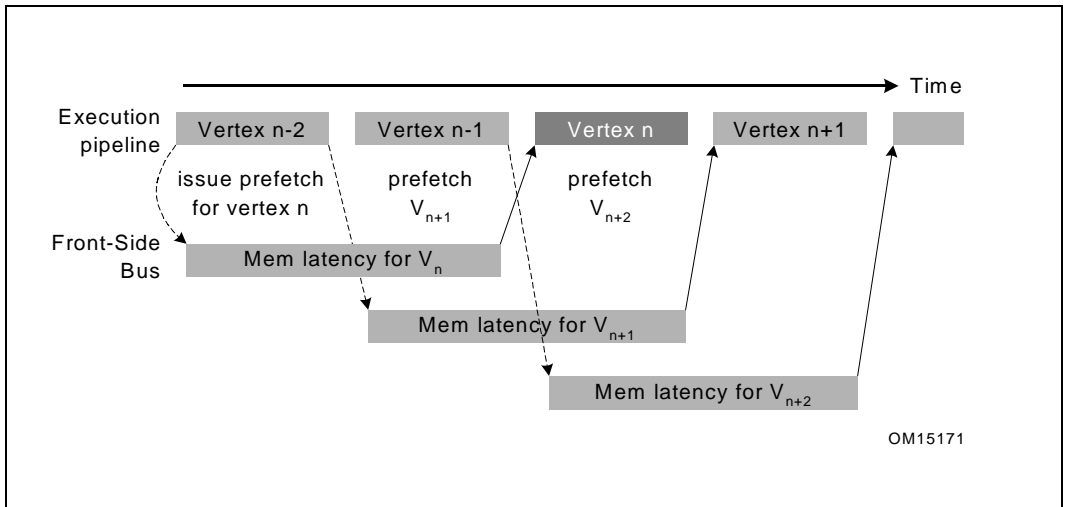


Figure 7-3. Memory Access Latency and Execution With Prefetch

The performance loss caused by poor utilization of resources can be completely eliminated by correctly scheduling the PREFETCH instructions. As shown in Figure 7-3, prefetch instructions are issued two vertex iterations ahead. This assumes that only one vertex gets processed in one iteration and a new data cache line is needed for

each iteration. As a result, when iteration n , vertex V_n , is being processed; the requested data is already brought into cache. In the meantime, the front-side bus is transferring the data needed for iteration $n+1$, vertex V_{n+1} . Because there is no dependence between V_{n+1} data and the execution of V_n , the latency for data access of V_{n+1} can be entirely hidden behind the execution of V_n . Under such circumstances, no “bubbles” are present in the pipelines and thus the best possible performance can be achieved.

Prefetching is useful for inner loops that have heavy computations, or are close to the boundary between being compute-bound and memory-bandwidth-bound. It is probably not very useful for loops which are predominately memory bandwidth-bound.

When data is already located in the first level cache, prefetching can be useless and could even slow down the performance because the extra μ ops either back up waiting for outstanding memory accesses or may be dropped altogether. This behavior is platform-specific and may change in the future.

7.6.5 Software Prefetching Usage Checklist

The following checklist covers issues that need to be addressed and/or resolved to use the software PREFETCH instruction properly:

- Determine software prefetch scheduling distance.
- Use software prefetch concatenation.
- Minimize the number of software prefetches.
- Mix software prefetch with computation instructions.
- Use cache blocking techniques (for example, strip mining).
- Balance single-pass versus multi-pass execution.
- Resolve memory bank conflict issues.
- Resolve cache management issues.

Subsequent sections discuss the above items.

7.6.6 Software Prefetch Scheduling Distance

Determining the ideal prefetch placement in the code depends on many architectural parameters, including: the amount of memory to be prefetched, cache lookup latency, system memory latency, and estimate of computation cycle. The ideal distance for prefetching data is processor- and platform-dependent. If the distance is too short, the prefetch will not hide the latency of the fetch behind computation. If the prefetch is too far ahead, prefetched data may be flushed out of the cache by the time it is required.

Since prefetch distance is not a well-defined metric, for this discussion, we define a new term, prefetch scheduling distance (PSD), which is represented by the number of iterations. For large loops, prefetch scheduling distance can be set to 1 (that is,

schedule prefetch instructions one iteration ahead). For small loop bodies (that is, loop iterations with little computation), the prefetch scheduling distance must be more than one iteration.

A simplified equation to compute PSD is deduced from the mathematical model. For a simplified equation, complete mathematical model, and methodology of prefetch distance determination, see Appendix E, “Summary of Rules and Suggestions.”

Example 7-3 illustrates the use of a prefetch within the loop body. The prefetch scheduling distance is set to 3, ESI is effectively the pointer to a line, EDX is the address of the data being referenced and XMM1-XMM4 are the data used in computation. Example 7-4 uses two independent cache lines of data per iteration. The PSD would need to be increased/decreased if more/less than two cache lines are used per iteration.

Example 7-3. Prefetch Scheduling Distance

```

top_loop:
    prefetchnta [edx + esi + 128*3]
    prefetchnta [edx*4 + esi + 128*3]
    .....

    movaps xmm1, [edx + esi]
    movaps xmm2, [edx*4 + esi]
    movaps xmm3, [edx + esi + 16]
    movaps xmm4, [edx*4 + esi + 16]
    .....
    .....

    add    esi, 128
    cmp    esi, ecx
    jl     top_loop

```

7.6.7 Software Prefetch Concatenation

Maximum performance can be achieved when the execution pipeline is at maximum throughput, without incurring any memory latency penalties. This can be achieved by prefetching data to be used in successive iterations in a loop. De-pipelining memory generates bubbles in the execution pipeline.

To explain this performance issue, a 3D geometry pipeline that processes 3D vertices in strip format is used as an example. A strip contains a list of vertices whose predefined vertex order forms contiguous triangles. It can be easily observed that the memory pipe is de-pipelined on the strip boundary due to ineffective prefetch arrangement. The execution pipeline is stalled for the first two iterations for each strip. As a result, the average latency for completing an iteration will be 165 (FIX) clocks. See Appendix E, “Summary of Rules and Suggestions”, for a detailed description.

This memory de-pipelining creates inefficiency in both the memory pipeline and execution pipeline. This de-pipelining effect can be removed by applying a technique called prefetch concatenation. With this technique, the memory access and execution can be fully pipelined and fully utilized.

For nested loops, memory de-pipelining could occur during the interval between the last iteration of an inner loop and the next iteration of its associated outer loop. Without paying special attention to prefetch insertion, loads from the first iteration of an inner loop can miss the cache and stall the execution pipeline waiting for data returned, thus degrading the performance.

In Example 7-4, the cache line containing `A[11][0]` is not prefetched at all and always misses the cache. This assumes that no array `A[][]` footprint resides in the cache. The penalty of memory de-pipelining stalls can be amortized across the inner loop iterations. However, it may become very harmful when the inner loop is short. In addition, the last prefetch in the last PSD iterations are wasted and consume machine resources. Prefetch concatenation is introduced here in order to eliminate the performance issue of memory de-pipelining.

Example 7-4. Using Prefetch Concatenation

```
for (ii = 0; ii < 100; ii++) {
    for (jj = 0; jj < 32; jj+=8) {
        prefetch a[ii][jj+8]
        computation a[ii][jj]
    }
}
```

Prefetch concatenation can bridge the execution pipeline bubbles between the boundary of an inner loop and its associated outer loop. Simply by unrolling the last iteration out of the inner loop and specifying the effective prefetch address for data used in the following iteration, the performance loss of memory de-pipelining can be completely removed. Example 7-5 gives the rewritten code.

Example 7-5. Concatenation and Unrolling the Last Iteration of Inner Loop

```
for (ii = 0; ii < 100; ii++) {
    for (jj = 0; jj < 24; jj+=8) { /* N-1 iterations */
        prefetch a[ii][jj+8]
        computation a[ii][jj]
    }
    prefetch a[ii+1][0]
    computation a[ii][24] /* Last iteration */
}
```

This code segment for data prefetching is improved and only the first iteration of the outer loop suffers any memory access latency penalty, assuming the computation

time is larger than the memory latency. Inserting a prefetch of the first data element needed prior to entering the nested loop computation would eliminate or reduce the start-up penalty for the very first iteration of the outer loop. This uncomplicated high-level code optimization can improve memory performance significantly.

7.6.8 Minimize Number of Software Prefetches

Prefetch instructions are not completely free in terms of bus cycles, machine cycles and resources, even though they require minimal clock and memory bandwidth.

Excessive prefetching may lead to performance penalties because of issue penalties in the front end of the machine and/or resource contention in the memory sub-system. This effect may be severe in cases where the target loops are small and/or cases where the target loop is issue-bound.

One approach to solve the excessive prefetching issue is to unroll and/or software-pipeline loops to reduce the number of prefetches required. Figure 7-4 presents a code example which implements prefetch and unrolls the loop to remove the redundant prefetch instructions whose prefetch addresses hit the previously issued prefetch instructions. In this particular example, unrolling the original loop once saves six prefetch instructions and nine instructions for conditional jumps in every other iteration.

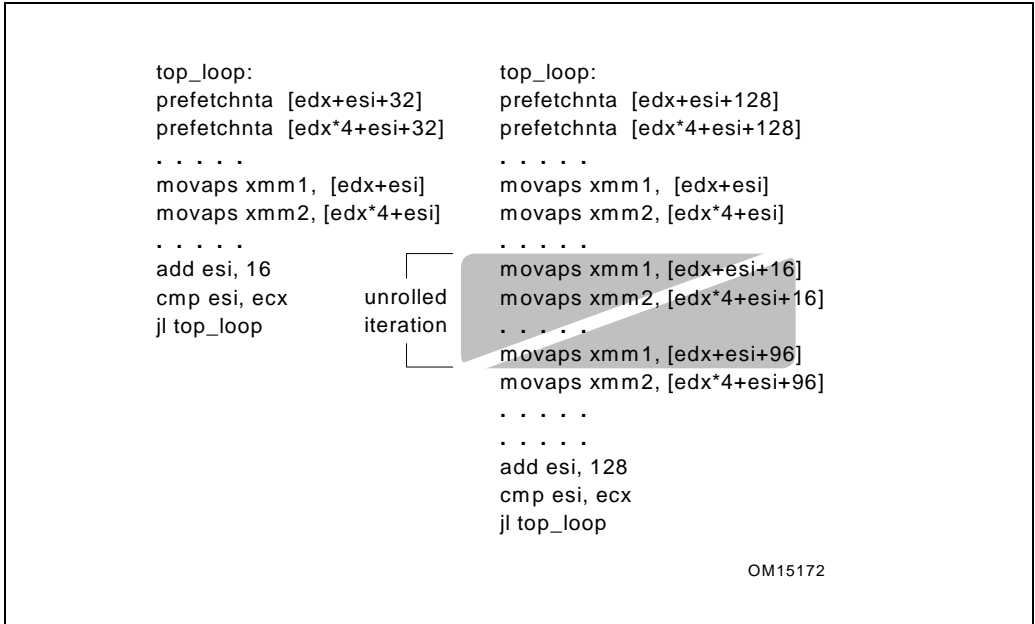


Figure 7-4. Prefetch and Loop Unrolling

Figure 7-5 demonstrates the effectiveness of software prefetches in latency hiding.

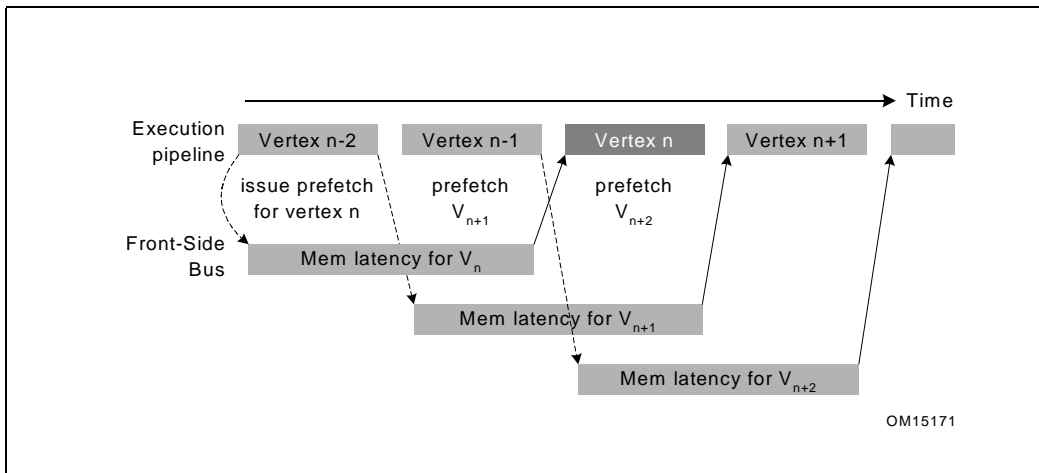


Figure 7-5. Memory Access Latency and Execution With Prefetch

The X axis in Figure 7-5 indicates the number of computation clocks per loop (each iteration is independent). The Y axis indicates the execution time measured in clocks per loop. The secondary Y axis indicates the percentage of bus bandwidth utilization. The tests vary by the following parameters:

- **Number of load/store streams** — Each load and store stream accesses one 128-byte cache line each per iteration.
- **Amount of computation per loop** — This is varied by increasing the number of dependent arithmetic operations executed.
- **Number of the software prefetches per loop** — For example, one every 16 bytes, 32 bytes, 64 bytes, 128 bytes.

As expected, the leftmost portion of each of the graphs in Figure 7-5 shows that when there is not enough computation to overlap the latency of memory access, prefetch does not help and that the execution is essentially memory-bound. The graphs also illustrate that redundant prefetches do not increase performance.

7.6.9 Mix Software Prefetch with Computation Instructions

It may seem convenient to cluster all of PREFETCH instructions at the beginning of a loop body or before a loop, but this can lead to severe performance degradation. In order to achieve the best possible performance, PREFETCH instructions must be interspersed with other computational instructions in the instruction sequence rather than clustered together. If possible, they should also be placed apart from loads. This improves the instruction level parallelism and reduces the potential instruction

resource stalls. In addition, this mixing reduces the pressure on the memory access resources and in turn reduces the possibility of the prefetch retiring without fetching data.

Figure 7-6 illustrates distributing PREFETCH instructions. A simple and useful heuristic of prefetch spreading for a Pentium 4 processor is to insert a PREFETCH instruction every 20 to 25 clocks. Rearranging PREFETCH instructions could yield a noticeable speedup for the code which stresses the cache resource.

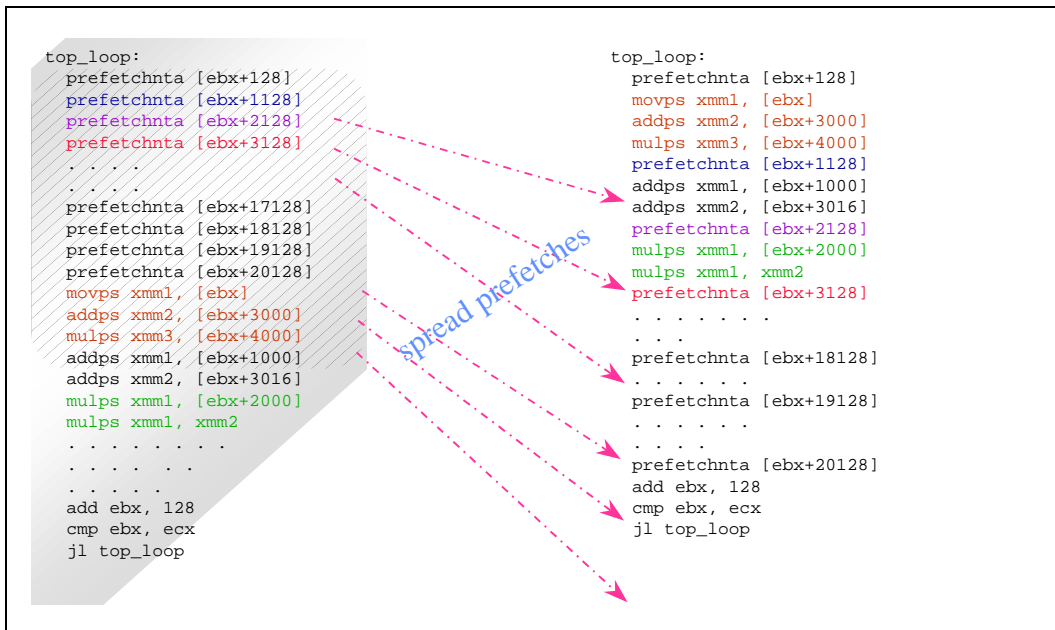


Figure 7-6. Spread Prefetch Instructions

NOTE

To avoid instruction execution stalls due to the over-utilization of the resource, PREFETCH instructions must be interspersed with computational instructions

7.6.10 Software Prefetch and Cache Blocking Techniques

Cache blocking techniques (such as strip-mining) are used to improve temporal locality and the cache hit rate. Strip-mining is one-dimensional temporal locality optimization for memory. When two-dimensional arrays are used in programs, loop blocking technique (similar to strip-mining but in two dimensions) can be applied for a better memory performance.

If an application uses a large data set that can be reused across multiple passes of a loop, it will benefit from strip mining. Data sets larger than the cache will be processed in groups small enough to fit into cache. This allows temporal data to reside in the cache longer, reducing bus traffic.

Data set size and temporal locality (data characteristics) fundamentally affect how PREFETCH instructions are applied to strip-mined code. Figure 7-7 shows two simplified scenarios for temporally-adjacent data and temporally-non-adjacent data.

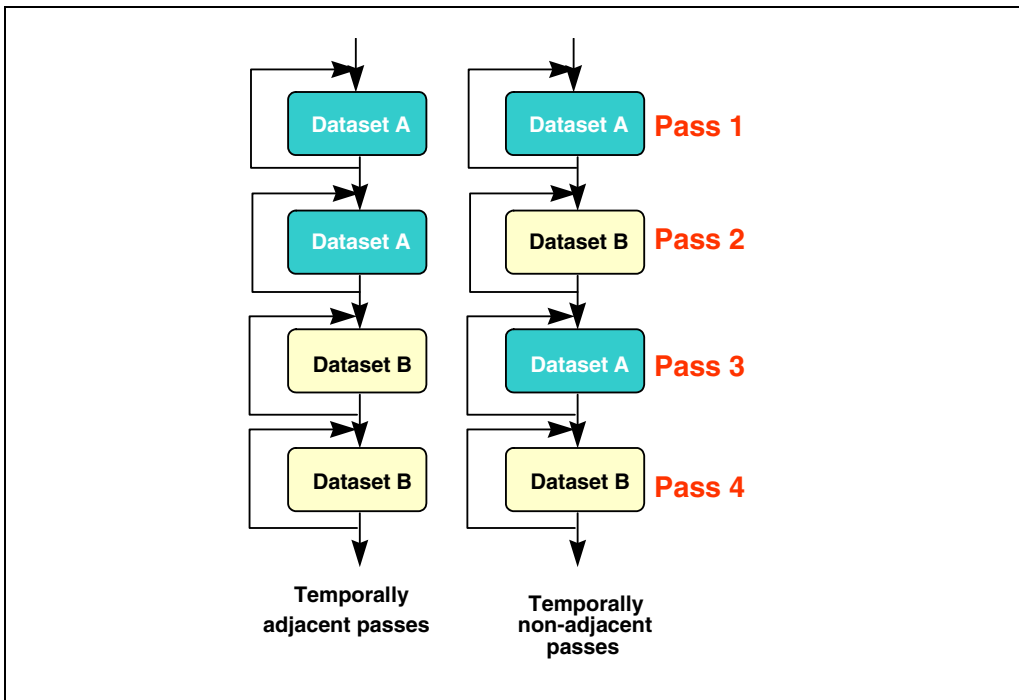


Figure 7-7. Cache Blocking - Temporally Adjacent and Non-adjacent Passes

In the temporally-adjacent scenario, subsequent passes use the same data and find it already in second-level cache. Prefetch issues aside, this is the preferred situation. In the temporally non-adjacent scenario, data used in pass m is displaced by pass $(m+1)$, requiring data *re-fetch* into the first level cache and perhaps the second level cache if a later pass reuses the data. If both data sets fit into the second-level cache, load operations in passes 3 and 4 become less expensive.

Figure 7-8 shows how prefetch instructions and strip-mining can be applied to increase performance in both of these scenarios.

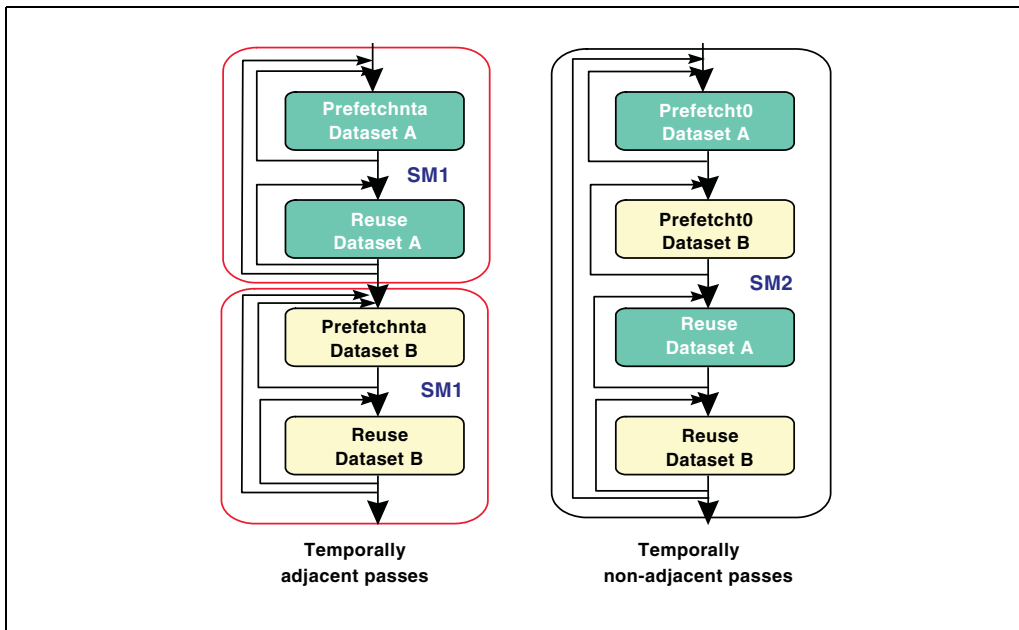


Figure 7-8. Examples of Prefetch and Strip-mining for Temporally Adjacent and Non-Adjacent Passes Loops

For Pentium 4 processors, the left scenario shows a graphical implementation of using PREFETCHNTA to prefetch data into selected ways of the second-level cache only (SM1 denotes strip mine one way of second-level), minimizing second-level cache pollution. Use PREFETCHNTA if the data is only touched once during the entire execution pass in order to minimize cache pollution in the higher level caches. This provides instant availability, assuming the prefetch was issued far ahead enough, when the read access is issued.

In scenario to the right (see Figure 7-8), keeping the data in one way of the second-level cache does not improve cache locality. Therefore, use PREFETCHT0 to prefetch the data. This amortizes the latency of the memory references in passes 1 and 2, and keeps a copy of the data in second-level cache, which reduces memory traffic and latencies for passes 3 and 4. To further reduce the latency, it might be worth considering extra PREFETCHNTA instructions prior to the memory references in passes 3 and 4.

In Example 7-6, consider the data access patterns of a 3D geometry engine first without strip-mining and then incorporating strip-mining. Note that 4-wide SIMD instructions of Pentium III processor can process 4 vertices per every iteration.

Without strip-mining, all the x,y,z coordinates for the four vertices must be re-fetched from memory in the second pass, that is, the lighting loop. This causes

under-utilization of cache lines fetched during transformation loop as well as bandwidth wasted in the lighting loop.

Example 7-6. Data Access of a 3D Geometry Engine without Strip-mining

```

while (nvtx < MAX_NUM_VTX) {
  prefetchnta vertexi data           // v =[x,y,z,nx,ny,nz,tu,tv]
  prefetchnta vertexi+1 data
  prefetchnta vertexi+2 data
  prefetchnta vertexi+3 data
TRANSFORMATION code                 // use only x,y,z,tu,tv of a vertex
  nvtx+=4
}
while (nvtx < MAX_NUM_VTX) {
  prefetchnta vertexi data           // v =[x,y,z,nx,ny,nz,tu,tv]
                                       // x,y,z fetched again

  prefetchnta vertexi+1 data
  prefetchnta vertexi+2 data
  prefetchnta vertexi+3 data
  compute the light vectors          // use only x,y,z
LOCAL LIGHTING code                 // use only nx,ny,nz
  nvtx+=4
}

```

Now consider the code in Example 7-7 where strip-mining has been incorporated into the loops.

Example 7-7. Data Access of a 3D Geometry Engine with Strip-mining

```

while (nstrip < NUM_STRIP) {
/* Strip-mine the loop to fit data into one way of the second-level
  cache */
  while (nvtx < MAX_NUM_VTX_PER_STRIP) {
    prefetchnta vertexi data           // v =[x,y,z,nx,ny,nz,tu,tv]
    prefetchnta vertexi+1 data
    prefetchnta vertexi+2 data
    prefetchnta vertexi+3 data
    TRANSFORMATION code
      nvtx+=4
  }
  while (nvtx < MAX_NUM_VTX_PER_STRIP) {
    /* x y z coordinates are in the second-level cache, no prefetch is
      required */

```

Example 7-7. Data Access of a 3D Geometry Engine with Strip-mining

```

compute the light vectors
POINT LIGHTING code
  nvtx+=4
}
}
    
```

With strip-mining, all vertex data can be kept in the cache (for example, one way of second-level cache) during the strip-mined transformation loop and reused in the lighting loop. Keeping data in the cache reduces both bus traffic and the number of prefetches used.

Table 7-1 summarizes the steps of the basic usage model that incorporates only software prefetch with strip-mining. The steps are:

- Do strip-mining: partition loops so that the dataset fits into second-level cache.
- Use PREFETCHNTA if the data is only used once or the dataset fits into 32 KBytes (one way of second-level cache). Use PREFETCHT0 if the dataset exceeds 32 KBytes.

The above steps are platform-specific and provide an implementation example. The variables NUM_STRIP and MAX_NUM_VX_PER_STRIP can be heuristically determined for peak performance for specific application on a specific platform.

Table 7-1. Software Prefetching Considerations into Strip-mining Code

Read-Once Array References	Read-Multiple-Times Array References	
	Adjacent Passes	Non-Adjacent Passes
Prefetchnta	Prefetch0, SM1	Prefetch0, SM1 (2nd Level Pollution)
Evict one way; Minimize pollution	Pay memory access cost for the first pass of each array; Amortize the first pass with subsequent passes	Pay memory access cost for the first pass of every strip; Amortize the first pass with subsequent passes

7.6.11 Hardware Prefetching and Cache Blocking Techniques

Tuning data access patterns for the automatic hardware prefetch mechanism can minimize the memory access costs of the first-pass of the read-multiple-times and some of the read-once memory references. An example of the situations of read-once memory references can be illustrated with a matrix or image transpose, reading from a column-first orientation and writing to a row-first orientation, or vice versa.

Example 7-8 shows a nested loop of data movement that represents a typical matrix/image transpose problem. If the dimension of the array are large, not only the footprint of the dataset will exceed the last level cache but cache misses will

occur at large strides. If the dimensions happen to be powers of 2, aliasing condition due to finite number of way-associativity (see “Capacity Limits and Aliasing in Caches” in Chapter) will exacerbate the likelihood of cache evictions.

Example 7-8. Using HW Prefetch to Improve Read-Once Memory Traffic

```

a) Un-optimized image transpose
// dest and src represent two-dimensional arrays
for( i = 0; i < NUMCOLS; i ++){
    // inner loop reads single column
    for( j = 0; j < NUMROWS ; j ++){
        // Each read reference causes large-stride cache miss
        dest[i*NUMROWS + j] = src[j*NUMROWS + i];
    }
}

b)
// tilewidth = L2SizeInBytes/2/TileHeight/Sizeof(element)
for( i = 0; i < NUMCOLS; i += tilewidth) {
    for( j = 0; j < NUMROWS ; j ++){
        // access multiple elements in the same row in the inner loop
        // access pattern friendly to hw prefetch and improves hit rate
        for( k = 0; k < tilewidth; k ++){
            dest[j+ (i+k)* NUMROWS] = src[i+k+ j* NUMROWS];
        }
    }
}

```

Example 7-8 (b) shows applying the techniques of tiling with optimal selection of tile size and tile width to take advantage of hardware prefetch. With tiling, one can choose the size of two tiles to fit in the last level cache. Maximizing the width of each tile for memory read references enables the hardware prefetcher to initiate bus requests to read some cache lines before the code actually reference the linear addresses.

7.6.12 Single-pass versus Multi-pass Execution

An algorithm can use single- or multi-pass execution defined as follows:

- Single-pass, or unlayered execution passes a single data element through an entire computation pipeline.
- Multi-pass, or layered execution performs a single stage of the pipeline on a batch of data elements, before passing the batch on to the next stage.

OPTIMIZING CACHE USAGE

A characteristic feature of both single-pass and multi-pass execution is that a specific trade-off exists depending on an algorithm's implementation and use of a single-pass or multiple-pass execution. See Figure 7-9.

Multi-pass execution is often easier to use when implementing a general purpose API, where the choice of code paths that can be taken depends on the specific combination of features selected by the application (for example, for 3D graphics, this might include the type of vertex primitives used and the number and type of light sources).

With such a broad range of permutations possible, a single-pass approach would be complicated, in terms of code size and validation. In such cases, each possible permutation would require a separate code sequence. For example, an object with features A, B, C, D can have a subset of features enabled, say, A, B, D. This stage would use one code path; another combination of enabled features would have a different code path. It makes more sense to perform each pipeline stage as a separate pass, with conditional clauses to select different features that are implemented within each stage. By using strip-mining, the number of vertices processed by each stage (for example, the batch size) can be selected to ensure that the batch stays within the processor caches through all passes. An intermediate cached buffer is used to pass the batch of vertices from one stage or pass to the next one.

Single-pass execution can be better suited to applications which limit the number of features that may be used at a given time. A single-pass approach can reduce the amount of data copying that can occur with a multi-pass engine. See Figure 7-9.

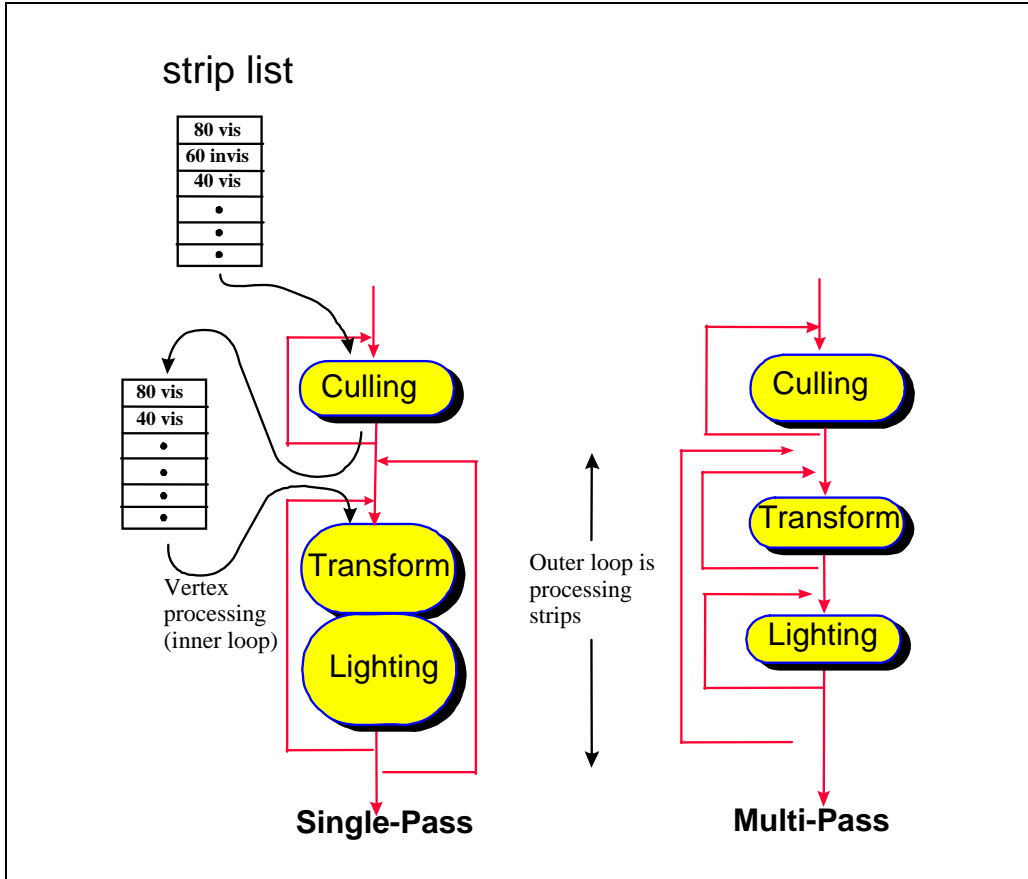


Figure 7-9. Single-Pass Vs. Multi-Pass 3D Geometry Engines

The choice of single-pass or multi-pass can have a number of performance implications. For instance, in a multi-pass pipeline, stages that are limited by bandwidth (either input or output) will reflect more of this performance limitation in overall execution time. In contrast, for a single-pass approach, bandwidth-limitations can be distributed/amortized across other computation-intensive stages. Also, the choice of which prefetch hints to use are also impacted by whether a single-pass or multi-pass approach is used.

7.7 MEMORY OPTIMIZATION USING NON-TEMPORAL STORES

Non-temporal stores can also be used to manage data retention in the cache. Uses for non-temporal stores include:

- To combine many writes without disturbing the cache hierarchy
- To manage which data structures remain in the cache and which are transient

Detailed implementations of these usage models are covered in the following sections.

7.7.1 Non-temporal Stores and Software Write-Combining

Use non-temporal stores in the cases when the data to be stored is:

- Write-once (non-temporal)
- Too large and thus cause cache thrashing

Non-temporal stores do not invoke a cache line allocation, which means they are not write-allocate. As a result, caches are not polluted and no dirty writeback is generated to compete with useful data bandwidth. Without using non-temporal stores, bus bandwidth will suffer when caches start to be thrashed because of dirty writebacks.

In Streaming SIMD Extensions implementation, when non-temporal stores are written into writeback or write-combining memory regions, these stores are weakly-ordered and will be combined internally inside the processor's write-combining buffer and be written out to memory as a line burst transaction. To achieve the best possible performance, it is recommended to align data along the cache line boundary and write them consecutively in a cache line size while using non-temporal stores. If the consecutive writes are prohibitive due to programming constraints, then software write-combining (SWWC) buffers can be used to enable line burst transaction.

You can declare small SWWC buffers (a cache line for each buffer) in your application to enable explicit write-combining operations. Instead of writing to non-temporal memory space immediately, the program writes data into SWWC buffers and combines them inside these buffers. The program only writes a SWWC buffer out using non-temporal stores when the buffer is filled up, that is, a cache line (128 bytes for the Pentium 4 processor). Although the SWWC method requires explicit instructions for performing temporary writes and reads, this ensures that the transaction on the front-side bus causes line transaction rather than several partial transactions. Application performance gains considerably from implementing this technique. These SWWC buffers can be maintained in the second-level and re-used throughout the program.

7.7.2 Cache Management

Streaming instructions (PREFETCH and STORE) can be used to manage data and minimize disturbance of temporal data held within the processor's caches.

In addition, the Pentium 4 processor takes advantage of Intel C++ Compiler support for C++ language-level features for the Streaming SIMD Extensions. Streaming SIMD Extensions and MMX technology instructions provide intrinsics that allow you to optimize cache utilization. Examples of such Intel compiler intrinsics are `_MM_PREFETCH`, `_MM_STREAM`, `_MM_LOAD`, `_MM_SFENCE`. For detail, refer to the Intel C++ Compiler User's Guide documentation.

The following examples of using prefetching instructions in the operation of video encoder and decoder as well as in simple 8-byte memory copy, illustrate performance gain from using the prefetching instructions for efficient cache management.

7.7.2.1 Video Encoder

In a video encoder, some of the data used during the encoding process is kept in the processor's second-level cache. This is done to minimize the number of reference streams that must be re-read from system memory. To ensure that other writes do not disturb the data in the second-level cache, streaming stores (MOVNTQ) are used to write around all processor caches.

The prefetching cache management implemented for the video encoder reduces the memory traffic. The second-level cache pollution reduction is ensured by preventing single-use video frame data from entering the second-level cache. Using a non-temporal PREFETCH (PREFETCHNTA) instruction brings data into only one way of the second-level cache, thus reducing pollution of the second-level cache.

If the data brought directly to second-level cache is not re-used, then there is a performance gain from the non-temporal prefetch over a temporal prefetch. The encoder uses non-temporal prefetches to avoid pollution of the second-level cache, increasing the number of second-level cache hits and decreasing the number of polluting write-backs to memory. The performance gain results from the more efficient use of the second-level cache, not only from the prefetch itself.

7.7.2.2 Video Decoder

In the video decoder example, completed frame data is written to local memory of the graphics card, which is mapped to WC (Write-combining) memory type. A copy of reference data is stored to the WB memory at a later time by the processor in order to generate future data. The assumption is that the size of the reference data is too large to fit in the processor's caches. A streaming store is used to write the data around the cache, to avoid displaying other temporal data held in the caches. Later, the processor re-reads the data using PREFETCHNTA, which ensures maximum bandwidth, yet minimizes disturbance of other cached temporal data by using the non-temporal (NTA) version of prefetch.

7.7.2.3 Conclusions from Video Encoder and Decoder Implementation

These two examples indicate that by using an appropriate combination of non-temporal prefetches and non-temporal stores, an application can be designed to lessen the overhead of memory transactions by preventing second-level cache pollution, keeping useful data in the second-level cache and reducing costly write-back transactions. Even if an application does not gain performance significantly from having data ready from prefetches, it can improve from more efficient use of the second-level cache and memory. Such design reduces the encoder's demand for such critical resource as the memory bus. This makes the system more balanced, resulting in higher performance.

7.7.2.4 Optimizing Memory Copy Routines

Creating memory copy routines for large amounts of data is a common task in software optimization. Example 7-9 presents a basic algorithm for a the simple memory copy.

Example 7-9. Basic Algorithm of a Simple Memory Copy

```
#define N 512000
double a[N], b[N];
for (i = 0; i < N; i++) {
    b[i] = a[i];
}
```

This task can be optimized using various coding techniques. One technique uses software prefetch and streaming store instructions. It is discussed in the following paragraph and a code example shown in Example 7-10.

The memory copy algorithm can be optimized using the Streaming SIMD Extensions with these considerations:

- Alignment of data
- Proper layout of pages in memory
- Cache size
- Interaction of the transaction lookaside buffer (TLB) with memory accesses
- Combining prefetch and streaming-store instructions.

The guidelines discussed in this chapter come into play in this simple example. TLB priming is required for the Pentium 4 processor just as it is for the Pentium III processor, since software prefetch instructions will not initiate page table walks on either processor.

Example 7-10. A Memory Copy Routine Using Software Prefetch

```

#define PAGESIZE 4096;
#define NUMPERPAGE 512          // # of elements to fit a page

double a[N], b[N], temp;
for (kk=0; kk<N; kk+=NUMPERPAGE) {
    temp = a[kk+NUMPERPAGE];    // TLB priming
    // use block size = page size,
    // prefetch entire block, one cache line per loop
    for (j=kk+16; j<kk+NUMPERPAGE; j+=16) {
        _mm_prefetch((char*)&a[j], _MM_HINT_NTA);
    }
    // copy 128 byte per loop
    for (j=kk; j<kk+NUMPERPAGE; j+=16) {
        _mm_stream_ps((float*)&b[j],
            _mm_load_ps((float*)&a[j]));
        _mm_stream_ps((float*)&b[j+2],
            _mm_load_ps((float*)&a[j+2]));
        _mm_stream_ps((float*)&b[j+4],
            _mm_load_ps((float*)&a[j+4]));
        _mm_stream_ps((float*)&b[j+6],
            _mm_load_ps((float*)&a[j+6]));
        _mm_stream_ps((float*)&b[j+8],
            _mm_load_ps((float*)&a[j+8]));
        _mm_stream_ps((float*)&b[j+10],
            _mm_load_ps((float*)&a[j+10]));
        _mm_stream_ps((float*)&b[j+12],
            _mm_load_ps((float*)&a[j+12]));
        _mm_stream_ps((float*)&b[j+14],
            _mm_load_ps((float*)&a[j+14]));
    } // finished copying one block
} // finished copying N elements
_mm_sfence();

```

7.7.2.5 TLB Priming

The TLB is a fast memory buffer that is used to improve performance of the translation of a virtual memory address to a physical memory address by providing fast access to page table entries. If memory pages are accessed and the page table entry

is not resident in the TLB, a TLB miss results and the page table must be read from memory.

The TLB miss results in a performance degradation since another memory access must be performed (assuming that the translation is not already present in the processor caches) to update the TLB. The TLB can be preloaded with the page table entry for the next desired page by accessing (or touching) an address in that page. This is similar to prefetch, but instead of a data cache line the page table entry is being loaded in advance of its use. This helps to ensure that the page table entry is resident in the TLB and that the prefetch happens as requested subsequently.

7.7.2.6 Using the 8-byte Streaming Stores and Software Prefetch

Example 7-10 presents the copy algorithm that uses second level cache. The algorithm performs the following steps:

1. Uses blocking technique to transfer 8-byte data from memory into second-level cache using the `_MM_PREFETCH` intrinsic, 128 bytes at a time to fill a block. The size of a block should be less than one half of the size of the second-level cache, but large enough to amortize the cost of the loop.
2. Loads the data into an XMM register using the `_MM_LOAD_PS` intrinsic.
3. Transfers the 8-byte data to a different memory location via the `_MM_STREAM` intrinsics, bypassing the cache. For this operation, it is important to ensure that the page table entry prefetched for the memory is preloaded in the TLB.

In Example 7-10, eight `_MM_LOAD_PS` and `_MM_STREAM_PS` intrinsics are used so that all of the data prefetched (a 128-byte cache line) is written back. The prefetch and streaming-stores are executed in separate loops to minimize the number of transitions between reading and writing data. This significantly improves the bandwidth of the memory accesses.

The `TEMP = A[KK+CACHESIZE]` instruction is used to ensure the page table entry for array, and `A` is entered in the TLB prior to prefetching. This is essentially a prefetch itself, as a cache line is filled from that memory location with this instruction. Hence, the prefetching starts from `KK+4` in this loop.

This example assumes that the destination of the copy is not temporally adjacent to the code. If the copied data is destined to be reused in the near future, then the streaming store instructions should be replaced with regular 128 bit stores (`_MM_STORE_PS`). This is required because the implementation of streaming stores on Pentium 4 processor writes data directly to memory, maintaining cache coherency.

7.7.2.7 Using 16-byte Streaming Stores and Hardware Prefetch

An alternate technique for optimizing a large region memory copy is to take advantage of hardware prefetcher, 16-byte streaming stores, and apply a segmented

approach to separate bus read and write transactions. See Section 3.6.11, “Minimizing Bus Latency.”

The technique employs two stages. In the first stage, a block of data is read from memory to the cache sub-system. In the second stage, cached data are written to their destination using streaming stores.

Example 7-11. Memory Copy Using Hardware Prefetch and Bus Segmentation

```
void block_prefetch(void *dst,void *src)
{ _asm {
    mov edi,dst
    mov esi,src
    mov edx,SIZE
    align 16
main_loop:
    xor ecx,ecx
    align 16
}

prefetch_loop:
    movaps xmm0,[esi+ecx]
    movaps xmm0,[esi+ecx+64]
    add ecx,128
    cmp ecx,BLOCK_SIZE
    jne prefetch_loop
    xor ecx,ecx
    align 16
cpy_loop:

    movdqa xmm0,[esi+ecx]
    movdqa xmm1,[esi+ecx+16]
    movdqa xmm2,[esi+ecx+32]
    movdqa xmm3,[esi+ecx+48]
    movdqa xmm4,[esi+ecx+64]
    movdqa xmm5,[esi+ecx+16+64]
    movdqa xmm6,[esi+ecx+32+64]
    movdqa xmm7,[esi+ecx+48+64]
    movntdq [edi+ecx],xmm0
    movntdq [edi+ecx+16],xmm1
    movntdq [edi+ecx+32],xmm2
```

Example 7-11. Memory Copy Using Hardware Prefetch and Bus Segmentation (Contd.)

```

movntdq [edi+ecx+48],xmm3
movntdq [edi+ecx+64],xmm4
movntdq [edi+ecx+80],xmm5
movntdq [edi+ecx+96],xmm6
movntdq [edi+ecx+112],xmm7
add ecx,128
cmp ecx,BLOCK_SIZE
jne cpy_loop

add esi,ecx
add edi,ecx
sub edx,ecx
jnz main_loop
sfence
}
}

```

7.7.2.8 Performance Comparisons of Memory Copy Routines

The throughput of a large-region, memory copy routine depends on several factors:

- Coding techniques that implements the memory copy task
- Characteristics of the system bus (speed, peak bandwidth, overhead in read/write transaction protocols)
- Microarchitecture of the processor

A comparison of the two coding techniques discussed above and two un-optimized techniques is shown in Table 7-2.

Table 7-2. Relative Performance of Memory Copy Routines

Processor, CPUID Signature and FSB Speed	Byte Sequential	DWORD Sequential	SW prefetch + 8 byte streaming store	4KB-Block HW prefetch + 16 byte streaming stores
Pentium M processor, 0x6Dn, 400	1.3X	1.2X	1.6X	2.5X
Intel Core Solo and Intel Core Duo processors, 0x6En, 667	3.3X	3.5X	2.1X	4.7X

Table 7-2. Relative Performance of Memory Copy Routines (Contd.)

Processor, CPUID Signature and FSB Speed	Byte Sequential	DWORD Sequential	SW prefetch + 8 byte streaming store	4KB-Block HW prefetch + 16 byte streaming stores
Pentium D processor, 0xF4n, 800	3.4X	3.3X	4.9X	5.7X

The baseline for performance comparison is the throughput (bytes/sec) of 8-MByte region memory copy on a first-generation Pentium M processor (CPUID signature 0x69n) with a 400-MHz system bus using byte-sequential technique similar to that shown in Example 7-9. The degree of improvement relative to the performance baseline for some recent processors and platforms with higher system bus speed using different coding techniques are compared.

The second coding technique moves data at 4-Byte granularity using REP string instruction. The third column compares the performance of the coding technique listed in Example 7-10. The fourth column of performance compares the throughput of fetching 4-KBytes of data at a time (using hardware prefetch to aggregate bus read transactions) and writing to memory via 16-Byte streaming stores.

Increases in bus speed is the primary contributor to throughput improvements. The technique shown in Example 7-11 will likely take advantage of the faster bus speed in the platform more efficiently. Additionally, increasing the block size to multiples of 4-KBytes while keeping the total working set within the second-level cache can improve the throughput slightly.

The relative performance figure shown in Table 7-2 is representative of clean microarchitectural conditions within a processor (e.g. looping a simple sequence of code many times). The net benefit of integrating a specific memory copy routine into an application (full-featured applications tend to create many complicated micro-architectural conditions) will vary for each application.

7.7.3 Deterministic Cache Parameters

If CPUID supports the deterministic parameter leaf, software can use the leaf to query each level of the cache hierarchy. Enumeration of each cache level is by specifying an index value (starting from 0) in the ECX register (see “CPUID-CPU Identification” in Chapter 3 of the *Intel® 64 and IA-32 Architectures Software Developer’s Manual, Volume 2A*).

The list of parameters is shown in Table 7-3.

Table 7-3. Deterministic Cache Parameters Leaf

Bit Location	Name	Meaning
EAX[4:0]	Cache Type	0 = Null - No more caches 1 = Data Cache 2 = Instruction Cache 3 = Unified Cache 4-31 = Reserved
EAX[7:5]	Cache Level	Starts at 1
EAX[8]	Self Initializing cache level	1: does not need SW initialization
EAX[9]	Fully Associative cache	1: Yes
EAX[13:10]	Reserved	
EAX[25:14]	Maximum number of logical processors sharing this cache	Plus encoding
EAX[31:26]	Maximum number of cores in a package	Plus 1 encoding
EBX[11:0]	System Coherency Line Size (L)	Plus 1 encoding (Bytes)
EBX[21:12]	Physical Line partitions (P)	Plus 1 encoding
EBX[31:22]	Ways of associativity (W)	Plus 1 encoding
ECX[31:0]	Number of Sets (S)	Plus 1 encoding
EDX	Reserved	
CPUID leaves > 3 < 80000000 are only visible when IA32_CR_MISC_ENABLES.BOOT_NT4 (bit 22) is clear (Default).		

The deterministic cache parameter leaf provides a means to implement software with a degree of forward compatibility with respect to enumerating cache parameters. Deterministic cache parameters can be used in several situations, including:

- Determine the size of a cache level.
- Adapt cache blocking parameters to different sharing topology of a cache-level across Hyper-Threading Technology, multicore and single-core processors.
- Determine multithreading resource topology in an MP system (See Chapter 7, "Multiple-Processor Management," of the *Intel® 64 and IA-32 Architectures Software Developer's Manual, Volume 3A*).
- Determine cache hierarchy topology in a platform using multicore processors (See Example 8-13).
- Manage threads and processor affinities.
- Determine prefetch stride.

The size of a given level of cache is given by:

$$(\# \text{ of Ways}) * (\text{Partitions}) * (\text{Line_size}) * (\text{Sets}) = (\text{EBX}[31:22] + 1) * (\text{EBX}[21:12] + 1) * (\text{EBX}[11:0] + 1) * (\text{ECX} + 1)$$

7.7.3.1 Cache Sharing Using Deterministic Cache Parameters

Improving cache locality is an important part of software optimization. For example, a cache blocking algorithm can be designed to optimize block size at runtime for single-processor implementations and a variety of multiprocessor execution environments (including processors supporting HT Technology, or multicore processors).

The basic technique is to place an upper limit of the blocksize to be less than the size of the target cache level divided by the number of logical processors serviced by the target level of cache. This technique is applicable to multithreaded application programming. The technique can also benefit single-threaded applications that are part of a multi-tasking workloads.

7.7.3.2 Cache Sharing in Single-Core or Multicore

Deterministic cache parameters are useful for managing shared cache hierarchy in multithreaded applications for more sophisticated situations. A given cache level may be shared by logical processors in a processor or it may be implemented to be shared by logical processors in a physical processor package.

Using the deterministic cache parameter leaf and initial APIC_ID associated with each logical processor in the platform, software can extract information on the number and the topological relationship of logical processors sharing a cache level.

See also: Section 8.9.1, “Using Shared Execution Resources in a Processor Core.”

7.7.3.3 Determine Prefetch Stride

The prefetch stride (see description of CPUID.01H.EBX) provides the length of the region that the processor will prefetch with the PREFETCHh instructions (PREFETCHT0, PREFETCHT1, PREFETCHT2 and PREFETCHNTA). Software will use the length as the stride when prefetching into a particular level of the cache hierarchy as identified by the instruction used. The prefetch size is relevant for cache types of Data Cache (1) and Unified Cache (3); it should be ignored for other cache types. Software should not assume that the coherency line size is the prefetch stride.

If the prefetch stride field is zero, then software should assume a default size of 64 bytes is the prefetch stride. Software should use the following algorithm to determine what prefetch size to use depending on whether the deterministic cache parameter mechanism is supported or the legacy mechanism:

- If a processor supports the deterministic cache parameters and provides a non-zero prefetch size, then that prefetch size is used.
- If a processor supports the deterministic cache parameters and does not provides a prefetch size then default size for each level of the cache hierarchy is 64 bytes.
- If a processor does not support the deterministic cache parameters but provides a legacy prefetch size descriptor (0xF0 - 64 byte, 0xF1 - 128 byte) will be the prefetch size for all levels of the cache hierarchy.

OPTIMIZING CACHE USAGE

- If a processor does not support the deterministic cache parameters and does not provide a legacy prefetch size descriptor, then 32-bytes is the default size for all levels of the cache hierarchy.

CHAPTER 8

MULTICORE AND HYPER-THREADING TECHNOLOGY

This chapter describes software optimization techniques for multithreaded applications running in an environment using either multiprocessor (MP) systems or processors with hardware-based multithreading support. Multiprocessor systems are systems with two or more sockets, each mated with a physical processor package. Intel 64 and IA-32 processors that provide hardware multithreading support include dual-core processors and processors supporting HT Technology¹.

Computational throughput in a multithreading environment can increase as more hardware resources are added to take advantage of thread-level or task-level parallelism. Hardware resources can be added in the form of more than one physical-processor, processor-core-per-package, and/or logical-processor-per-core. Therefore, there are some aspects of multithreading optimization that apply across MP, multicore, and HT Technology. There are also some specific microarchitectural resources that may be implemented differently in different hardware multithreading configurations (for example: execution resources are not shared across different cores but shared by two logical processors in the same core if HT Technology is enabled). This chapter covers guidelines that apply to these situations.

This chapter covers

- Performance characteristics and usage models
- Programming models for multithreaded applications
- Software optimization techniques in five specific areas

8.1 PERFORMANCE AND USAGE MODELS

The performance gains of using multiple processors, multicore processors or HT Technology are greatly affected by the usage model and the amount of parallelism in the control flow of the workload. Two common usage models are:

- Multithreaded applications
- Multitasking using single-threaded applications

1. The presence of hardware multithreading support in Intel 64 and IA-32 processors can be detected by checking the feature flag CPUID .01H:EDX[28]. A return value of in bit 28 indicates that at least one form of hardware multithreading is present in the physical processor package. The number of logical processors present in each package can also be obtained from CPUID. The application must check how many logical processors are enabled and made available to application at runtime by making the appropriate operating system calls. See the *Intel® 64 and IA-32 Architectures Software Developer's Manual, Volume 2A* for information.

8.1.1 Multithreading

When an application employs multithreading to exploit task-level parallelism in a workload, the control flow of the multi-threaded software can be divided into two parts: parallel tasks and sequential tasks.

Amdahl's law describes an application's performance gain as it relates to the degree of parallelism in the control flow. It is a useful guide for selecting the code modules, functions, or instruction sequences that are most likely to realize the most gains from transforming sequential tasks and control flows into parallel code to take advantage multithreading hardware support.

Figure 8-1 illustrates how performance gains can be realized for any workload according to Amdahl's law. The bar in Figure 8-1 represents an individual task unit or the collective workload of an entire application.

In general, the speed-up of running multiple threads on an MP systems with N physical processors, over single-threaded execution, can be expressed as:

$$\text{RelativeResponse} = \frac{T_{\text{sequential}}}{T_{\text{parallel}}} = \left(1 - P + \frac{P}{N} + O\right)$$

where P is the fraction of workload that can be parallelized, and O represents the overhead of multithreading and may vary between different operating systems. In this case, performance gain is the inverse of the relative response.

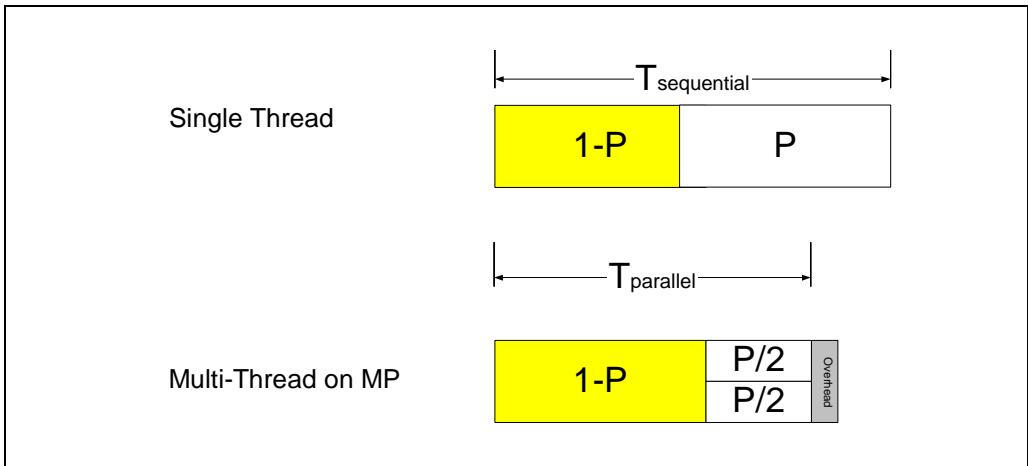


Figure 8-1. Amdahl's Law and MP Speed-up

When optimizing application performance in a multithreaded environment, control flow parallelism is likely to have the largest impact on performance scaling with respect to the number of physical processors and to the number of logical processors per physical processor.

If the control flow of a multi-threaded application contains a workload in which only 50% can be executed in parallel, the maximum performance gain using two physical processors is only 33%, compared to using a single processor. Using four processors can deliver no more than a 60% speed-up over a single processor. Thus, it is critical to maximize the portion of control flow that can take advantage of parallelism. Improper implementation of thread synchronization can significantly increase the proportion of serial control flow and further reduce the application's performance scaling.

In addition to maximizing the parallelism of control flows, interaction between threads in the form of thread synchronization and imbalance of task scheduling can also impact overall processor scaling significantly.

Excessive cache misses are one cause of poor performance scaling. In a multi-threaded execution environment, they can occur from:

- Aliased stack accesses by different threads in the same process
- Thread contentions resulting in cache line evictions
- False-sharing of cache lines between different processors

Techniques that address each of these situations (and many other areas) are described in sections in this chapter.

8.1.2 Multitasking Environment

Hardware multithreading capabilities in Intel 64 and IA-32 processors can exploit task-level parallelism when a workload consists of several single-threaded applications and these applications are scheduled to run concurrently under an MP-aware operating system. In this environment, hardware multithreading capabilities can deliver higher throughput for the workload, although the relative performance of a single task (in terms of time of completion relative to the same task when in a single-threaded environment) will vary, depending on how much shared execution resources and memory are utilized.

For development purposes, several popular operating systems (for example Microsoft Windows* XP Professional and Home, Linux* distributions using kernel 2.4.19 or later²) include OS kernel code that can manage the task scheduling and the balancing of shared execution resources within each physical processor to maximize the throughput.

Because applications run independently under a multitasking environment, thread synchronization issues are less likely to limit the scaling of throughput. This is because the control flow of the workload is likely to be 100% parallel³ (if no inter-processor communication is taking place and if there are no system bus constraints).

-
2. This code is included in Red Hat* Linux Enterprise AS 2.1.
 3. A software tool that attempts to measure the throughput of a multitasking workload is likely to introduce control flows that are not parallel. Thread synchronization issues must be considered as an integral part of its performance measuring methodology.

With a multitasking workload, however, bus activities and cache access patterns are likely to affect the scaling of the throughput. Running two copies of the same application or same suite of applications in a lock-step can expose an artifact in performance measuring methodology. This is because an access pattern to the first level data cache can lead to excessive cache misses and produce skewed performance results. Fix this problem by:

- Including a per-instance offset at the start-up of an application
- Introducing heterogeneity in the workload by using different datasets with each instance of the application
- Randomizing the sequence of start-up of applications when running multiple copies of the same suite

When two applications are employed as part of a multitasking workload, there is little synchronization overhead between these two processes. It is also important to ensure each application has minimal synchronization overhead within itself.

An application that uses lengthy spin loops for intra-process synchronization is less likely to benefit from HT Technology in a multitasking workload. This is because critical resources will be consumed by the long spin loops.

8.2 PROGRAMMING MODELS AND MULTITHREADING

Parallelism is the most important concept in designing a multithreaded application and realizing optimal performance scaling with multiple processors. An optimized multithreaded application is characterized by large degrees of parallelism or minimal dependencies in the following areas:

- Workload
- Thread interaction
- Hardware utilization

The key to maximizing workload parallelism is to identify multiple tasks that have minimal inter-dependencies within an application and to create separate threads for parallel execution of those tasks.

Concurrent execution of independent threads is the essence of deploying a multithreaded application on a multiprocessing system. Managing the interaction between threads to minimize the cost of thread synchronization is also critical to achieving optimal performance scaling with multiple processors.

Efficient use of hardware resources between concurrent threads requires optimization techniques in specific areas to prevent contentions of hardware resources. Coding techniques for optimizing thread synchronization and managing other hardware resources are discussed in subsequent sections.

Parallel programming models are discussed next.

8.2.1 Parallel Programming Models

Two common programming models for transforming independent task requirements into application threads are:

- Domain decomposition
- Functional decomposition

8.2.1.1 Domain Decomposition

Usually large compute-intensive tasks use data sets that can be divided into a number of small subsets, each having a large degree of computational independence. Examples include:

- Computation of a discrete cosine transformation (DCT) on two-dimensional data by dividing the two-dimensional data into several subsets and creating threads to compute the transform on each subset
- Matrix multiplication; here, threads can be created to handle the multiplication of half of matrix with the multiplier matrix

Domain Decomposition is a programming model based on creating identical or similar threads to process smaller pieces of data independently. This model can take advantage of duplicated execution resources present in a traditional multiprocessor system. It can also take advantage of shared execution resources between two logical processors in HT Technology. This is because a data domain thread typically consumes only a fraction of the available on-chip execution resources.

Section 8.3.5, “Key Practices of Execution Resource Optimization,” discusses additional guidelines that can help data domain threads use shared execution resources cooperatively and avoid the pitfalls creating contentions of hardware resources between two threads.

8.2.2 Functional Decomposition

Applications usually process a wide variety of tasks with diverse functions and many unrelated data sets. For example, a video codec needs several different processing functions. These include DCT, motion estimation and color conversion. Using a functional threading model, applications can program separate threads to do motion estimation, color conversion, and other functional tasks.

Functional decomposition will achieve more flexible thread-level parallelism if it is less dependent on the duplication of hardware resources. For example, a thread executing a sorting algorithm and a thread executing a matrix multiplication routine are not likely to require the same execution unit at the same time. A design recognizing this could advantage of traditional multiprocessor systems as well as multiprocessor systems using processors supporting HT Technology.

8.2.3 Specialized Programming Models

Intel Core Duo processor and processors based on Intel Core microarchitecture offer a second-level cache shared by two processor cores in the same physical package. This provides opportunities for two application threads to access some application data while minimizing the overhead of bus traffic.

Multi-threaded applications may need to employ specialized programming models to take advantage of this type of hardware feature. One such scenario is referred to as producer-consumer. In this scenario, one thread writes data into some destination (hopefully in the second-level cache) and another thread executing on the other core in the same physical package subsequently reads data produced by the first thread.

The basic approach for implementing a producer-consumer model is to create two threads; one thread is the producer and the other is the consumer. Typically, the producer and consumer take turns to work on a buffer and inform each other when they are ready to exchange buffers. In a producer-consumer model, there is some thread synchronization overhead when buffers are exchanged between the producer and consumer. To achieve optimal scaling with the number of cores, the synchronization overhead must be kept low. This can be done by ensuring the producer and consumer threads have comparable time constants for completing each incremental task prior to exchanging buffers.

Example 8-1 illustrates the coding structure of single-threaded execution of a sequence of task units, where each task unit (either the producer or consumer) executes serially (shown in Figure 8-2). In the equivalent scenario under multi-threaded execution, each producer-consumer pair is wrapped as a thread function and two threads can be scheduled on available processor resources simultaneously.

Example 8-1. Serial Execution of Producer and Consumer Work Items

```
for (i = 0; i < number_of_iterations; i++) {  
    producer (i, buff); // pass buffer index and buffer address  
    consumer (i, buff);  
}
```

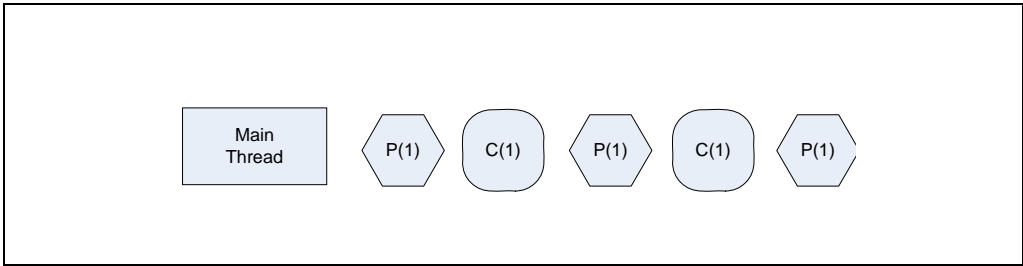



Figure 8-2. Single-threaded Execution of Producer-consumer Threading Model

8.2.3.1 Producer-Consumer Threading Models

Figure 8-3 illustrates the basic scheme of interaction between a pair of producer and consumer threads. The horizontal direction represents time. Each block represents a task unit, processing the buffer assigned to a thread.

The gap between each task represents synchronization overhead. The decimal number in the parenthesis represents a buffer index. On an Intel Core Duo processor, the producer thread can store data in the second-level cache to allow the consumer thread to continue work requiring minimal bus traffic.

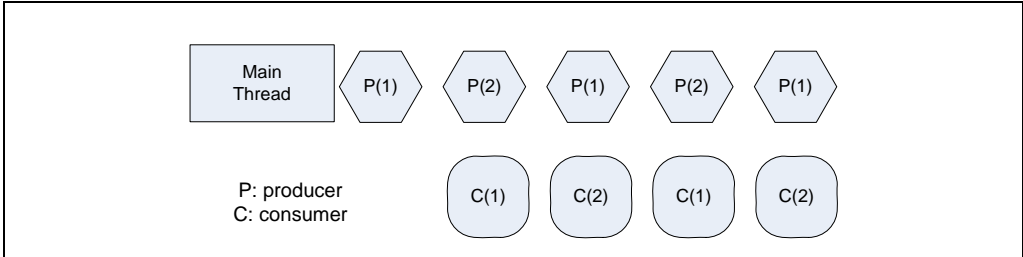


Figure 8-3. Execution of Producer-consumer Threading Model on a Multicore Processor

The basic structure to implement the producer and consumer thread functions with synchronization to communicate buffer index is shown in Example 8-2.

Example 8-2. Basic Structure of Implementing Producer Consumer Threads

```

(a) Basic structure of a producer thread function
void producer_thread()
{
    int iter_num = workamount - 1; // make local copy
    int mode1 = 1; // track usage of two buffers via 0 and 1
    produce(bufs[0],count); // placeholder function
    while (iter_num--> 0) {

        Signal(&signal1,1); // tell the other thread to commence
        produce(bufs[mode1],count); // placeholder function
        WaitForSignal(&end1);
        mode1 = 1 - mode1; // switch to the other buffer
    }
}

b) Basic structure of a consumer thread
void consumer_thread()
{
    int mode2 = 0; // first iteration start with buffer 0, than alternate
    int iter_num = workamount - 1;
    while (iter_num--> 0) {

        WaitForSignal(&signal1);
        consume(bufs[mode2],count); // placeholder function
        Signal(&end1,1);
        mode2 = 1 - mode2;
    }
    consume(bufs[mode2],count);
}

```

It is possible to structure the producer-consumer model in an interlaced manner such that it can minimize bus traffic and be effective on multicore processors without shared second-level cache.

In this interlaced variation of the producer-consumer model, each scheduling quanta of an application thread comprises of a producer task and a consumer task. Two identical threads are created to execute in parallel. During each scheduling quanta of a thread, the producer task starts first and the consumer task follows after the completion of the producer task; both tasks work on the same buffer. As each task completes, one thread signals to the other thread notifying its corresponding task to use its designated buffer. Thus, the producer and consumer tasks execute in parallel in two threads. As long as the data generated by the producer reside in either the first or second level cache of the same core, the consumer can access them without incurring bus traffic. The scheduling of the interlaced producer-consumer model is shown in Figure 8-4.

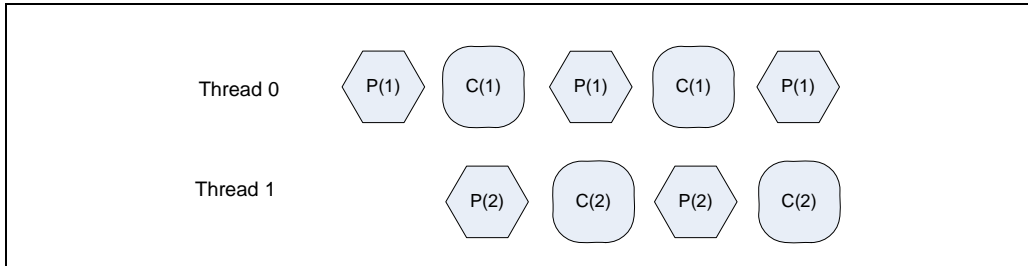


Figure 8-4. Interlaced Variation of the Producer Consumer Model

Example 8-3 shows the basic structure of a thread function that can be used in this interlaced producer-consumer model.

Example 8-3. Thread Function for an Interlaced Producer Consumer Model

```
// master thread starts first iteration, other thread must wait
// one iteration
void producer_consumer_thread(int master)
{
int mode = 1 - master; // track which thread and its designated
                        // buffer index
unsigned int iter_num = workamount >> 1;
unsigned int i=0;

iter_num += master & workamount & 1;

if (master) // master thread starts the first iteration
{
produce(bufs[mode],count);
Signal(sigp[1-mode],1); // notify producer task in follower
                        // thread that it can proceed

consume(bufs[mode],count);
Signal(sigc[1-mode],1);
i = 1;
}
}
```

Example 8-3. Thread Function for an Interlaced Producer Consumer Model (Contd.)

```

for (; i < iter_num; i++)
{
    WaitForSignal(sigp[mode]);
    produce(buffs[mode],count); // notify the producer task in
                                // other thread

    Signal(sigp[1-mode],1);

    WaitForSignal(sicg[mode]);
    consume(buffs[mode],count);
    Signal(sicg[1-mode],1);
}
}

```

8.2.4 Tools for Creating Multithreaded Applications

Programming directly to a multithreading application programming interface (API) is not the only method for creating multithreaded applications. New tools (such as the Intel compiler) have become available with capabilities that make the challenge of creating multithreaded application easier.

Features available in the latest Intel compilers are:

- Generating multithreaded code using OpenMP* directives⁴
- Generating multithreaded code automatically from unmodified high-level code⁵

8.2.4.1 Programming with OpenMP Directives

OpenMP provides a standardized, non-proprietary, portable set of Fortran and C++ compiler directives supporting shared memory parallelism in applications. OpenMP supports directive-based processing. This uses special preprocessors or modified compilers to interpret parallelism expressed in Fortran comments or C/C++ pragmas. Benefits of directive-based processing include:

- The original source can be compiled unmodified.
- It is possible to make incremental code changes. This preserves algorithms in the original code and enables rapid debugging.
- Incremental code changes help programmers maintain serial consistency. When the code is run on one processor, it gives the same result as the unmodified source code.

4. Intel Compiler 5.0 and later supports OpenMP directives. Visit <http://developer.intel.com/software/products> for details.

5. Intel Compiler 6.0 supports auto-parallelization.

- Offering directives to fine tune thread scheduling imbalance.
- Intel's implementation of OpenMP runtime can add minimal threading overhead relative to hand-coded multithreading.

8.2.4.2 Automatic Parallelization of Code

While OpenMP directives allow programmers to quickly transform serial applications into parallel applications, programmers must identify specific portions of the application code that contain parallelism and add compiler directives. Intel Compiler 6.0 supports a new (-QPARALLEL) option, which can identify loop structures that contain parallelism. During program compilation, the compiler automatically attempts to decompose the parallelism into threads for parallel processing. No other intervention or programmer is needed.

8.2.4.3 Supporting Development Tools

Intel® Threading Analysis Tools include Intel® Thread Checker and Intel® Thread Profiler.

8.2.4.4 Intel® Thread Checker

Use Intel Thread Checker to find threading errors (which include data races, stalls and deadlocks) and reduce the amount of time spent debugging threaded applications.

Intel Thread Checker product is an Intel VTune Performance Analyzer plug-in data collector that executes a program and automatically locates threading errors. As the program runs, Intel Thread Checker monitors memory accesses and other events and automatically detects situations which could cause unpredictable threading-related results.

8.2.4.5 Thread Profiler

Thread Profiler is a plug-in data collector for the Intel VTune Performance Analyzer. Use it to analyze threading performance and identify parallel performance bottlenecks. It graphically illustrates what each thread is doing at various levels of detail using a hierarchical summary. It can identify inactive threads, critical paths and imbalances in thread execution. Data is collapsed into relevant summaries, sorted to identify parallel regions or loops that require attention.

8.3 OPTIMIZATION GUIDELINES

This section summarizes optimization guidelines for tuning multithreaded applications. Five areas are listed (in order of importance):

- Thread synchronization
- Bus utilization
- Memory optimization
- Front end optimization
- Execution resource optimization

Practices associated with each area are listed in this section. Guidelines for each area are discussed in greater depth in sections that follow.

Most of the coding recommendations improve performance scaling with processor cores; and scaling due to HT Technology. Techniques that apply to only one environment are noted.

8.3.1 Key Practices of Thread Synchronization

Key practices for minimizing the cost of thread synchronization are summarized below:

- Insert the PAUSE instruction in fast spin loops and keep the number of loop repetitions to a minimum to improve overall system performance.
- Replace a spin-lock that may be acquired by multiple threads with pipelined locks such that no more than two threads have write accesses to one lock. If only one thread needs to write to a variable shared by two threads, there is no need to acquire a lock.
- Use a thread-blocking API in a long idle loop to free up the processor.
- Prevent “false-sharing” of per-thread-data between two threads.
- Place each synchronization variable alone, separated by 128 bytes or in a separate cache line.

See Section 8.4, “Thread Synchronization,” for details.

8.3.2 Key Practices of System Bus Optimization

Managing bus traffic can significantly impact the overall performance of multi-threaded software and MP systems. Key practices of system bus optimization for achieving high data throughput and quick response are:

- Improve data and code locality to conserve bus command bandwidth.
- Avoid excessive use of software prefetch instructions and allow the automatic hardware prefetcher to work. Excessive use of software prefetches can significantly and unnecessarily increase bus utilization if used inappropriately.

- Consider using overlapping multiple back-to-back memory reads to improve effective cache miss latencies.
- Use full write transactions to achieve higher data throughput.

See Section 8.5, “System Bus Optimization,” for details.

8.3.3 Key Practices of Memory Optimization

Key practices for optimizing memory operations are summarized below:

- Use cache blocking to improve locality of data access. Target one quarter to one half of cache size when targeting processors supporting HT Technology.
- Minimize the sharing of data between threads that execute on different physical processors sharing a common bus.
- Minimize data access patterns that are offset by multiples of 64-KBytes in each thread.
- Adjust the private stack of each thread in an application so the spacing between these stacks is not offset by multiples of 64 KBytes or 1 MByte (prevents unnecessary cache line evictions) when targeting processors supporting HT Technology.
- Add a per-instance stack offset when two instances of the same application are executing in lock steps to avoid memory accesses that are offset by multiples of 64 KByte or 1 MByte when targeting processors supporting HT Technology.

See Section 8.6, “Memory Optimization,” for details.

8.3.4 Key Practices of Front-end Optimization

Key practices for front-end optimization on processors that support HT Technology are:

- Avoid Excessive Loop Unrolling to ensure the Trace Cache is operating efficiently.
- Optimize code size to improve locality of Trace Cache and increase delivered trace length.

See Section 8.7, “Front-end Optimization,” for details.

8.3.5 Key Practices of Execution Resource Optimization

Each physical processor has dedicated execution resources. Logical processors in physical processors supporting HT Technology share specific on-chip execution resources. Key practices for execution resource optimization include:

- Optimize each thread to achieve optimal frequency scaling first.
- Optimize multithreaded applications to achieve optimal scaling with respect to the number of physical processors.

- Use on-chip execution resources cooperatively if two threads are sharing the execution resources in the same physical processor package.
- For each processor supporting HT Technology, consider adding functionally uncorrelated threads to increase the hardware resource utilization of each physical processor package.

See Section 8.8, “Using Thread Affinities to Manage Shared Platform Resources,” for details.

8.3.6 Generality and Performance Impact

The next five sections cover the optimization techniques in detail. Recommendations discussed in each section are ranked by importance in terms of estimated local impact and generality.

Rankings are subjective and approximate. They can vary depending on coding style, application and threading domain. The purpose of including high, medium and low impact ranking with each recommendation is to provide a relative indicator as to the degree of performance gain that can be expected when a recommendation is implemented.

It is not possible to predict the likelihood of a code instance across many applications, so an impact ranking cannot be directly correlated to application-level performance gain. The ranking on generality is also subjective and approximate.

Coding recommendations that do not impact all three scaling factors are typically categorized as medium or lower.

8.4 THREAD SYNCHRONIZATION

Applications with multiple threads use synchronization techniques in order to ensure correct operation. However, thread synchronization that are improperly implemented can significantly reduce performance.

The best practice to reduce the overhead of thread synchronization is to start by reducing the application’s requirements for synchronization. Intel Thread Profiler can be used to profile the execution timeline of each thread and detect situations where performance is impacted by frequent occurrences of synchronization overhead.

Several coding techniques and operating system (OS) calls are frequently used for thread synchronization. These include spin-wait loops, spin-locks, critical sections, to name a few. Choosing the optimal OS call for the circumstance and implementing synchronization code with parallelism in mind are critical in minimizing the cost of handling thread synchronization.

SSE3 provides two instructions (MONITOR/MWAIT) to help multithreaded software improve synchronization between multiple agents. In the first implementation of MONITOR and MWAIT, these instructions are available to operating system so that

operating system can optimize thread synchronization in different areas. For example, an operating system can use MONITOR and MWAIT in its system idle loop (known as C0 loop) to reduce power consumption. An operating system can also use MONITOR and MWAIT to implement its C1 loop to improve the responsiveness of the C1 loop. See Chapter 7 in the *Intel® 64 and IA-32 Architectures Software Developer's Manual, Volume 3A*.

8.4.1 Choice of Synchronization Primitives

Thread synchronization often involves modifying some shared data while protecting the operation using synchronization primitives. There are many primitives to choose from. Guidelines that are useful when selecting synchronization primitives are:

- Favor compiler intrinsics or an OS provided interlocked API for atomic updates of simple data operation, such as increment and compare/exchange. This will be more efficient than other more complicated synchronization primitives with higher overhead.

For more information on using different synchronization primitives, see the white paper *Developing Multi-threaded Applications: A Platform Consistent Approach*. See <http://www3.intel.com/cd/ids/developer/asm-na/eng/53797.htm>.

- When choosing between different primitives to implement a synchronization construct, using Intel Thread Checker and Thread Profiler can be very useful in dealing with multithreading functional correctness issue and performance impact under multi-threaded execution. Additional information on the capabilities of Intel Thread Checker and Thread Profiler are described in Appendix A.

Table 8-1 is useful for comparing the properties of three categories of synchronization objects available to multi-threaded applications.

Table 8-1. Properties of Synchronization Objects

Characteristics	Operating System Synchronization Objects	Light Weight User Synchronization	Synchronization Object based on MONITOR/MWAIT
Cycles to acquire and release (if there is a contention)	Thousands or Tens of thousands cycles	Hundreds of cycles	Hundreds of cycles
Power consumption	Saves power by halting the core or logical processor if idle	Some power saving if using PAUSE	Saves more power than PAUSE

Table 8-1. Properties of Synchronization Objects (Contd.)

Characteristics	Operating System Synchronization Objects	Light Weight User Synchronization	Synchronization Object based on MONITOR/MWAIT
Scheduling and context switching	Returns to the OS scheduler if contention exists (can be tuned with earlier spin loop count)	Does not return to OS scheduler voluntarily	Does not return to OS scheduler voluntarily
Ring level	Ring 0	Ring 3	Ring 0
Miscellaneous	Some objects provide intra-process synchronization and some are for inter-process communication	Must lock accesses to synchronization variable if several threads may write to it simultaneously. Otherwise can write without locks.	Same as light weight. Can be used only on systems supporting MONITOR/MWAIT
Recommended use conditions	<ul style="list-style-type: none"> ▪ Number of active threads is greater than number of cores ▪ Waiting thousands of cycles for a signal ▪ Synchronization among processes 	<ul style="list-style-type: none"> ▪ Number of active threads is less than or equal to number of cores ▪ Infrequent contention ▪ Need inter process synchronization 	<ul style="list-style-type: none"> ▪ Same as light weight objects ▪ MONITOR/MWAIT available

8.4.2 Synchronization for Short Periods

The frequency and duration that a thread needs to synchronize with other threads depends application characteristics. When a synchronization loop needs very fast response, applications may use a spin-wait loop.

A spin-wait loop is typically used when one thread needs to wait a short amount of time for another thread to reach a point of synchronization. A spin-wait loop consists of a loop that compares a synchronization variable with some pre-defined value. See Example 8-4(a).

On a modern microprocessor with a superscalar speculative execution engine, a loop like this results in the issue of multiple simultaneous read requests from the spinning thread. These requests usually execute out-of-order with each read request being allocated a buffer resource. On detection of a write by a worker thread to a load that is in progress, the processor must guarantee no violations of memory order occur. The necessity of maintaining the order of outstanding memory operations inevitably costs the processor a severe penalty that impacts all threads.

This penalty occurs on the Pentium M processor, the Intel Core Solo and Intel Core Duo processors. However, the penalty on these processors is small compared with

penalties suffered on the Pentium 4 and Intel Xeon processors. There the performance penalty for exiting the loop is about 25 times more severe.

On a processor supporting HT Technology, spin-wait loops can consume a significant portion of the execution bandwidth of the processor. One logical processor executing a spin-wait loop can severely impact the performance of the other logical processor.

Example 8-4. Spin-wait Loop and PAUSE Instructions

(a) An un-optimized spin-wait loop experiences performance penalty when exiting the loop. It consumes execution resources without contributing computational work.

```
do {
    // This loop can run faster than the speed of memory access,
    // other worker threads cannot finish modifying sync_var until
    // outstanding loads from the spinning loops are resolved.
} while( sync_var != constant_value);
```

(b) Inserting the PAUSE instruction in a fast spin-wait loop prevents performance-penalty to the spinning thread and the worker thread

```
do {
    _asm pause
    // Ensure this loop is de-pipelined, i.e. preventing more than one
    // load request to sync_var to be outstanding,
    // avoiding performance penalty when the worker thread updates
    // sync_var and the spinning thread exiting the loop.
}
while( sync_var != constant_value);
```

(c) A spin-wait loop using a “test, test-and-set” technique to determine the availability of the synchronization variable. This technique is recommended when writing spin-wait loops to run on Intel 64 and IA-32 architecture processors.

```
Spin_Lock:
    CMP lockvar, 0;           // Check if lock is free.
    JE Get_lock
    PAUSE;                   // Short delay.
    JMP Spin_Lock;
```

```
Get_Lock:
    MOV EAX, 1;
    XCHG EAX, lockvar;       // Try to get lock.
    CMP EAX, 0;              // Test if successful.
    JNE Spin_Lock;
```

```
Critical_Section:
    <critical section code>
    MOV lockvar, 0;         // Release lock.
```

User/Source Coding Rule 20. (M impact, H generality) *Insert the PAUSE instruction in fast spin loops and keep the number of loop repetitions to a minimum to improve overall system performance.*

On processors that use the Intel NetBurst microarchitecture core, the penalty of exiting from a spin-wait loop can be avoided by inserting a PAUSE instruction in the loop. In spite of the name, the PAUSE instruction improves performance by introducing a slight delay in the loop and effectively causing the memory read requests to be issued at a rate that allows immediate detection of any store to the synchronization variable. This prevents the occurrence of a long delay due to memory order violation.

One example of inserting the PAUSE instruction in a simplified spin-wait loop is shown in Example 8-4(b). The PAUSE instruction is compatible with all Intel 64 and IA-32 processors. On IA-32 processors prior to Intel NetBurst microarchitecture, the PAUSE instruction is essentially a NOP instruction. Additional examples of optimizing spin-wait loops using the PAUSE instruction are available in Application note AP-949, "Using Spin-Loops on Intel Pentium 4 Processor and Intel Xeon Processor." See <http://www3.intel.com/cd/ids/developer/asmo-na/eng/dc/threading/knowledge-base/19083.htm>.

Inserting the PAUSE instruction has the added benefit of significantly reducing the power consumed during the spin-wait because fewer system resources are used.

8.4.3 Optimization with Spin-Locks

Spin-locks are typically used when several threads need to modify a synchronization variable and the synchronization variable must be protected by a lock to prevent unintentional overwrites. When the lock is released, however, several threads may compete to acquire it at once. Such thread contention significantly reduces performance scaling with respect to frequency, number of discrete processors, and HT Technology.

To reduce the performance penalty, one approach is to reduce the likelihood of many threads competing to acquire the same lock. Apply a software pipelining technique to handle data that must be shared between multiple threads.

Instead of allowing multiple threads to compete for a given lock, no more than two threads should have write access to a given lock. If an application must use spin-locks, include the PAUSE instruction in the wait loop. Example 8-4(c) shows an example of the "test, test-and-set" technique for determining the availability of the lock in a spin-wait loop.

User/Source Coding Rule 21. (M impact, L generality) *Replace a spin lock that may be acquired by multiple threads with pipelined locks such that no more than two threads have write accesses to one lock. If only one thread needs to write to a variable shared by two threads, there is no need to use a lock.*

8.4.4 Synchronization for Longer Periods

When using a spin-wait loop not expected to be released quickly, an application should follow these guidelines:

- Keep the duration of the spin-wait loop to a minimum number of repetitions.
- Applications should use an OS service to block the waiting thread; this can release the processor so that other runnable threads can make use of the processor or available execution resources.

On processors supporting HT Technology, operating systems should use the HLT instruction if one logical processor is active and the other is not. HLT will allow an idle logical processor to transition to a halted state; this allows the active logical processor to use all the hardware resources in the physical package. An operating system that does not use this technique must still execute instructions on the idle logical processor that repeatedly check for work. This “idle loop” consumes execution resources that could otherwise be used to make progress on the other active logical processor.

If an application thread must remain idle for a long time, the application should use a thread blocking API or other method to release the idle processor. The techniques discussed here apply to traditional MP system, but they have an even higher impact on processors that support HT Technology.

Typically, an operating system provides timing services, for example `Sleep(dwMilliseconds)`⁶; such variables can be used to prevent frequent checking of a synchronization variable.

Another technique to synchronize between worker threads and a control loop is to use a thread-blocking API provided by the OS. Using a thread-blocking API allows the control thread to use less processor cycles for spinning and waiting. This gives the OS more time quanta to schedule the worker threads on available processors. Furthermore, using a thread-blocking API also benefits from the system idle loop optimization that OS implements using the HLT instruction.

User/Source Coding Rule 22. (H impact, M generality) *Use a thread-blocking API in a long idle loop to free up the processor.*

Using a spin-wait loop in a traditional MP system may be less of an issue when the number of runnable threads is less than the number of processors in the system. If the number of threads in an application is expected to be greater than the number of processors (either one processor or multiple processors), use a thread-blocking API to free up processor resources. A multithreaded application adopting one control thread to synchronize multiple worker threads may consider limiting worker threads to the number of processors in a system and use thread-blocking APIs in the control thread.

6. The `Sleep()` API is not thread-blocking, because it does not guarantee the processor will be released. Example 8-5(a) shows an example of using `Sleep(0)`, which does not always realize the processor to another thread.

8.4.4.1 Avoid Coding Pitfalls in Thread Synchronization

Synchronization between multiple threads must be designed and implemented with care to achieve good performance scaling with respect to the number of discrete processors and the number of logical processor per physical processor. No single technique is a universal solution for every synchronization situation.

The pseudo-code example in Example 8-5(a) illustrates a polling loop implementation of a control thread. If there is only one runnable worker thread, an attempt to call a timing service API, such as `Sleep(0)`, may be ineffective in minimizing the cost of thread synchronization. Because the control thread still behaves like a fast spinning loop, the only runnable worker thread must share execution resources with the spin-wait loop if both are running on the same physical processor that supports HT Technology. If there are more than one runnable worker threads, then calling a thread blocking API, such as `Sleep(0)`, could still release the processor running the spin-wait loop, allowing the processor to be used by another worker thread instead of the spinning loop.

A control thread waiting for the completion of worker threads can usually implement thread synchronization using a thread-blocking API or a timing service, if the worker threads require significant time to complete. Example 8-5(b) shows an example that reduces the overhead of the control thread in its thread synchronization.

Example 8-5. Coding Pitfall using Spin Wait Loop

(a) A spin-wait loop attempts to release the processor incorrectly. It experiences a performance penalty if the only worker thread and the control thread runs on the same physical processor package.

```
// Only one worker thread is running,  
// the control loop waits for the worker thread to complete.
```

```
ResumeWorkThread(thread_handle);  
While (!task_not_done ) {  
    Sleep(0) // Returns immediately back to spin loop.  
    ...  
}
```

(b) A polling loop frees up the processor correctly.

Example 8-5. Coding Pitfall using Spin Wait Loop (Contd.)

```

// Let a worker thread run and wait for completion.
ResumeWorkThread(thread_handle);
While (!task_not_done ) {
    Sleep(FIVE_MILLISEC)

// This processor is released for some duration, the processor
// can be used by other threads.
...
}

```

In general, OS function calls should be used with care when synchronizing threads. When using OS-supported thread synchronization objects (critical section, mutex, or semaphore), preference should be given to the OS service that has the least synchronization overhead, such as a critical section.

8.4.5 Prevent Sharing of Modified Data and False-Sharing

On an Intel Core Duo processor or a processor based on Intel Core microarchitecture, sharing of modified data incurs a performance penalty when a thread running on one core tries to read or write data that is currently present in modified state in the first level cache of the other core. This will cause eviction of the modified cache line back into memory and reading it into the first-level cache of the other core. The latency of such cache line transfer is much higher than using data in the immediate first level cache or second level cache.

False sharing applies to data used by one thread that happens to reside on the same cache line as different data used by another thread. These situations can also incur performance delay depending on the topology of the logical processors/cores in the platform.

An example of false sharing of multithreading environment using processors based on Intel NetBurst Microarchitecture is when thread-private data and a thread synchronization variable are located within the line size boundary (64 bytes) or sector boundary (128 bytes). When one thread modifies the synchronization variable, the "dirty" cache line must be written out to memory and updated for each physical processor sharing the bus. Subsequently, data is fetched into each target processor 128 bytes at a time, causing previously cached data to be evicted from its cache on each target processor.

False sharing can experience performance penalty when the threads are running on logical processors reside on different physical processors. For processors that support HT Technology, false-sharing incurs a performance penalty when two threads run on different cores, different physical processors, or on two logical processors in the physical processor package. In the first two cases, the performance penalty is due to cache evictions to maintain cache coherency. In the latter case, performance penalty is due to memory order machine clear conditions.

False sharing is not expected to have a performance impact with a single Intel Core Duo processor.

User/Source Coding Rule 23. (H impact, M generality) *Beware of false sharing within a cache line (64 bytes on Intel Pentium 4, Intel Xeon, Pentium M, Intel Core Duo processors), and within a sector (128 bytes on Pentium 4 and Intel Xeon processors).*

When a common block of parameters is passed from a parent thread to several worker threads, it is desirable for each work thread to create a private copy of frequently accessed data in the parameter block.

8.4.6 Placement of Shared Synchronization Variable

On processors based on Intel NetBurst microarchitecture, bus reads typically fetch 128 bytes into a cache, the optimal spacing to minimize eviction of cached data is 128 bytes. To prevent false-sharing, synchronization variables and system objects (such as a critical section) should be allocated to reside alone in a 128-byte region and aligned to a 128-byte boundary.

Example 8-6 shows a way to minimize the bus traffic required to maintain cache coherency in MP systems. This technique is also applicable to MP systems using processors with or without HT Technology.

Example 8-6. Placement of Synchronization and Regular Variables

```
int regVar;
int padding[32];
int SynVar[32*NUM_SYNC_VARS];
int AnotherVar;
```

On Pentium M, Intel Core Solo, Intel Core Duo processors, and processors based on Intel Core microarchitecture; a synchronization variable should be placed alone and in separate cache line to avoid false-sharing. Software must not allow a synchronization variable to span across page boundary.

User/Source Coding Rule 24. (M impact, ML generality) *Place each synchronization variable alone, separated by 128 bytes or in a separate cache line.*

User/Source Coding Rule 25. (H impact, L generality) *Do not place any spin lock variable to span a cache line boundary.*

At the code level, false sharing is a special concern in the following cases:

- Global data variables and static data variables that are placed in the same cache line and are written by different threads.
- Objects allocated dynamically by different threads may share cache lines. Make sure that the variables used locally by one thread are allocated in a manner to prevent sharing the cache line with other threads.

Another technique to enforce alignment of synchronization variables and to avoid a cacheline being shared is to use compiler directives when declaring data structures. See Example 8-7.

Example 8-7. Declaring Synchronization Variables without Sharing a Cache Line

```
__declspec(align(64)) unsigned __int64 sum;
struct sync_struct {...};
__declspec(align(64)) struct sync_struct sync_var;
```

Other techniques that prevent false-sharing include:

- Organize variables of different types in data structures (because the layout that compilers give to data variables might be different than their placement in the source code).
- When each thread needs to use its own copy of a set of variables, declare the variables with:
 - Directive `threadprivate`, when using OpenMP
 - Modifier `__declspec (thread)`, when using Microsoft compiler
- In managed environments that provide automatic object allocation, the object allocators and garbage collectors are responsible for layout of the objects in memory so that false sharing through two objects does not happen.
- Provide classes such that only one thread writes to each object field and close object fields, in order to avoid false sharing.

One should not equate the recommendations discussed in this section as favoring a sparsely populated data layout. The data-layout recommendations should be adopted when necessary and avoid unnecessary bloat in the size of the work set.

8.5 SYSTEM BUS OPTIMIZATION

The system bus services requests from bus agents (e.g. logical processors) to fetch data or code from the memory sub-system. The performance impact due data traffic fetched from memory depends on the characteristics of the workload, and the degree of software optimization on memory access, locality enhancements implemented in the software code. A number of techniques to characterize memory traffic of a workload is discussed in Appendix A. Optimization guidelines on locality enhancement is also discussed in Section 3.6.10, “Locality Enhancement,” and Section 7.6.11, “Hardware Prefetching and Cache Blocking Techniques.”

The techniques described in Chapter 3 and Chapter 7 benefit application performance in a platform where the bus system is servicing a single-threaded environment. In a multi-threaded environment, the bus system typically services many

more logical processors, each of which can issue bus requests independently. Thus, techniques on locality enhancements, conserving bus bandwidth, reducing large-stride-cache-miss-delay can have strong impact on processor scaling performance.

8.5.1 Conserve Bus Bandwidth

In a multithreading environment, bus bandwidth may be shared by memory traffic originated from multiple bus agents (These agents can be several logical processors and/or several processor cores). Preserving the bus bandwidth can improve processor scaling performance. Also, effective bus bandwidth typically will decrease if there are significant large-stride cache-misses. Reducing the amount of large-stride cache misses (or reducing DTLB misses) will alleviate the problem of bandwidth reduction due to large-stride cache misses.

One way for conserving available bus command bandwidth is to improve the locality of code and data. Improving the locality of data reduces the number of cache line evictions and requests to fetch data. This technique also reduces the number of instruction fetches from system memory.

User/Source Coding Rule 26. (M impact, H generality) *Improve data and code locality to conserve bus command bandwidth.*

Using a compiler that supports profiler-guided optimization can improve code locality by keeping frequently used code paths in the cache. This reduces instruction fetches. Loop blocking can also improve the data locality. Other locality enhancement techniques can also be applied in a multithreading environment to conserve bus bandwidth (see Section 7.6, “Memory Optimization Using Prefetch”).

Because the system bus is shared between many bus agents (logical processors or processor cores), software tuning should recognize symptoms of the bus approaching saturation. One useful technique is to examine the queue depth of bus read traffic (see Appendix A.2.1.3, “Workload Characterization”). When the bus queue depth is high, locality enhancement to improve cache utilization will benefit performance more than other techniques, such as inserting more software prefetches or masking memory latency with overlapping bus reads. An approximate working guideline for software to operate below bus saturation is to check if bus read queue depth is significantly below 5.

Some MP platform may have a chipset that provides two buses, with each bus servicing one or more physical processors. The guidelines for conserving bus bandwidth described above also applies to each bus domain.

8.5.2 Understand the Bus and Cache Interactions

Be careful when parallelizing code sections with data sets that results in the total working set exceeding the second-level cache and /or consumed bandwidth exceeding the capacity of the bus. On an Intel Core Duo processor, if only one thread is using the second-level cache and / or bus, then it is expected to get the maximum

benefit of the cache and bus systems because the other core does not interfere with the progress of the first thread. However, if two threads use the second-level cache concurrently, there may be performance degradation if one of the following conditions is true:

- Their combined working set is greater than the second-level cache size.
- Their combined bus usage is greater than the capacity of the bus.
- They both have extensive access to the same set in the second-level cache, and at least one of the threads writes to this cache line.

To avoid these pitfalls, multithreading software should try to investigate parallelism schemes in which only one of the threads access the second-level cache at a time, or where the second-level cache and the bus usage does not exceed their limits.

8.5.3 Avoid Excessive Software Prefetches

Pentium 4 and Intel Xeon Processors have an automatic hardware prefetcher. It can bring data and instructions into the unified second-level cache based on prior reference patterns. In most situations, the hardware prefetcher is likely to reduce system memory latency without explicit intervention from software prefetches. It is also preferable to adjust data access patterns in the code to take advantage of the characteristics of the automatic hardware prefetcher to improve locality or mask memory latency. Using software prefetch instructions excessively or indiscriminately will inevitably cause performance penalties. This is because excessively or indiscriminately using software prefetch instructions wastes the command and data bandwidth of the system bus.

Using software prefetches delays the hardware prefetcher from starting to fetch data needed by the processor core. It also consumes critical execution resources and can result in stalled execution. The guidelines for using software prefetch instructions are described in Chapter 3. The techniques for using automatic hardware prefetcher is discussed in Chapter 7.

User/Source Coding Rule 27. (M impact, L generality) Avoid excessive use of software prefetch instructions and allow automatic hardware prefetcher to work. Excessive use of software prefetches can significantly and unnecessarily increase bus utilization if used inappropriately.

8.5.4 Improve Effective Latency of Cache Misses

System memory access latency due to cache misses is affected by bus traffic. This is because bus read requests must be arbitrated along with other requests for bus transactions. Reducing the number of outstanding bus transactions helps improve effective memory access latency.

One technique to improve effective latency of memory read transactions is to use multiple overlapping bus reads to reduce the latency of sparse reads. In situations where there is little locality of data or when memory reads need to be arbitrated with

other bus transactions, the effective latency of scattered memory reads can be improved by issuing multiple memory reads back-to-back to overlap multiple outstanding memory read transactions. The average latency of back-to-back bus reads is likely to be lower than the average latency of scattered reads interspersed with other bus transactions. This is because only the first memory read needs to wait for the full delay of a cache miss.

User/Source Coding Rule 28. (M impact, M generality) Consider using overlapping multiple back-to-back memory reads to improve effective cache miss latencies.

Another technique to reduce effective memory latency is possible if one can adjust the data access pattern such that the access strides causing successive cache misses in the last-level cache is predominantly less than the trigger threshold distance of the automatic hardware prefetcher. See Section 7.6.3, "Example of Effective Latency Reduction with Hardware Prefetch."

User/Source Coding Rule 29. (M impact, M generality) Consider adjusting the sequencing of memory references such that the distribution of distances of successive cache misses of the last level cache peaks towards 64 bytes.

8.5.5 Use Full Write Transactions to Achieve Higher Data Rate

Write transactions across the bus can result in write to physical memory either using the full line size of 64 bytes or less than the full line size. The latter is referred to as a partial write. Typically, writes to writeback (WB) memory addresses are full-size and writes to write-combine (WC) or uncacheable (UC) type memory addresses result in partial writes. Both cached WB store operations and WC store operations utilize a set of six WC buffers (64 bytes wide) to manage the traffic of write transactions. When competing traffic closes a WC buffer before all writes to the buffer are finished, this results in a series of 8-byte partial bus transactions rather than a single 64-byte write transaction.

User/Source Coding Rule 30. (M impact, M generality) Use full write transactions to achieve higher data throughput.

Frequently, multiple partial writes to WC memory can be combined into full-sized writes using a software write-combining technique to separate WC store operations from competing with WB store traffic. To implement software write-combining, uncacheable writes to memory with the WC attribute are written to a small, temporary buffer (WB type) that fits in the first level data cache. When the temporary buffer is full, the application copies the content of the temporary buffer to the final WC destination.

When partial-writes are transacted on the bus, the effective data rate to system memory is reduced to only 1/8 of the system bus bandwidth.

8.6 MEMORY OPTIMIZATION

Efficient operation of caches is a critical aspect of memory optimization. Efficient operation of caches needs to address the following:

- Cache blocking
- Shared memory optimization
- Eliminating 64-KByte aliased data accesses
- Preventing excessive evictions in first-level cache

8.6.1 Cache Blocking Technique

Loop blocking is useful for reducing cache misses and improving memory access performance. The selection of a suitable block size is critical when applying the loop blocking technique. Loop blocking is applicable to single-threaded applications as well as to multithreaded applications running on processors with or without HT Technology. The technique transforms the memory access pattern into blocks that efficiently fit in the target cache size.

When targeting Intel processors supporting HT Technology, the loop blocking technique for a unified cache can select a block size that is no more than one half of the target cache size, if there are two logical processors sharing that cache. The upper limit of the block size for loop blocking should be determined by dividing the target cache size by the number of logical processors available in a physical processor package. Typically, some cache lines are needed to access data that are not part of the source or destination buffers used in cache blocking, so the block size can be chosen between one quarter to one half of the target cache (see Chapter 3, “General Optimization Guidelines”).

Software can use the deterministic cache parameter leaf of CUID to discover which subset of logical processors are sharing a given cache (see Chapter 7, “Optimizing Cache Usage”). Therefore, guideline above can be extended to allow all the logical processors serviced by a given cache to use the cache simultaneously, by placing an upper limit of the block size as the total size of the cache divided by the number of logical processors serviced by that cache. This technique can also be applied to single-threaded applications that will be used as part of a multitasking workload.

User/Source Coding Rule 31. (H impact, H generality) Use cache blocking to improve locality of data access. Target one quarter to one half of the cache size when targeting Intel processors supporting HT Technology or target a block size that allow all the logical processors serviced by a cache to share that cache simultaneously.

8.6.2 Shared-Memory Optimization

Maintaining cache coherency between discrete processors frequently involves moving data across a bus that operates at a clock rate substantially slower than the processor frequency.

8.6.2.1 Minimize Sharing of Data between Physical Processors

When two threads are executing on two physical processors and sharing data, reading from or writing to shared data usually involves several bus transactions (including snooping, request for ownership changes, and sometimes fetching data across the bus). A thread accessing a large amount of shared memory is likely to have poor processor-scaling performance.

User/Source Coding Rule 32. (H impact, M generality) *Minimize the sharing of data between threads that execute on different bus agents sharing a common bus.*

One technique to minimize sharing of data is to copy data to local stack variables if it is to be accessed repeatedly over an extended period. If necessary, results from multiple threads can be combined later by writing them back to a shared memory location. This approach can also minimize time spent to synchronize access to shared data.

8.6.2.2 Batched Producer-Consumer Model

The key benefit of a threaded producer-consumer design, shown in Figure 8-5, is to minimize bus traffic while sharing data between the producer and the consumer using a shared second-level cache. On an Intel Core Duo processor and when the work buffers are small enough to fit within the first-level cache, re-ordering of producer and consumer tasks are necessary to achieve optimal performance. This is because fetching data from L2 to L1 is much faster than having a cache line in one core invalidated and fetched from the bus.

Figure 8-5 illustrates a batched producer-consumer model that can be used to overcome the drawback of using small work buffers in a standard producer-consumer model. In a batched producer-consumer model, each scheduling quanta batches two or more producer tasks, each producer working on a designated buffer. The number of tasks to batch is determined by the criteria that the total working set be greater than the first-level cache but smaller than the second-level cache.

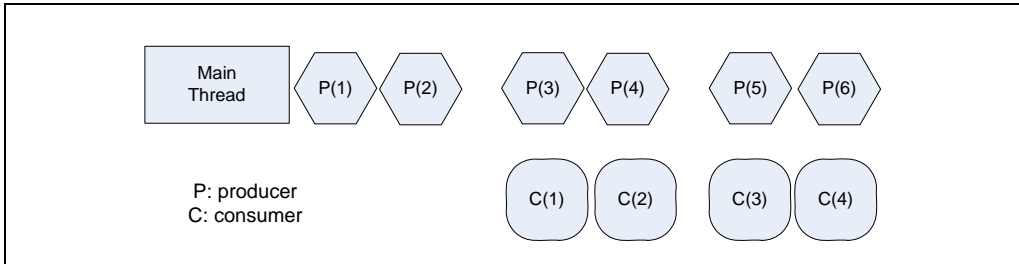


Figure 8-5. Batched Approach of Producer Consumer Model

Example 8-8 shows the batched implementation of the producer and consumer thread functions.

Example 8-8. Batched Implementation of the Producer Consumer Threads

```

void producer_thread()
{
    int iter_num = workamount - batchsize;
    int mode1;
    for (mode1=0; mode1 < batchsize; mode1++)
    {
        produce(bufs[mode1],count);
    }

    while (iter_num--)
    {
        Signal(&signal1,1);
        produce(bufs[mode1],count); // placeholder function
        WaitForSignal(&end1);
        mode1++;
        if (mode1 > batchsize)
            mode1 = 0;
    }
}

void consumer_thread()
{
    int mode2 = 0;
    int iter_num = workamount - batchsize;
    while (iter_num--)
    {
        WaitForSignal(&signal1);
        consume(bufs[mode2],count); // placeholder function
        Signal(&end1,1);
        mode2++;
        if (mode2 > batchsize)
            mode2 = 0;
    }
}

```

Example 8-8. Batched Implementation of the Producer Consumer Threads (Contd.)

```

}
for (i=0;i<batchsize;i++)
{
    consume(bufs[mode2],count);
    mode2++;
    if (mode2 > batchsize)
        mode2 = 0;
}
}

```

8.6.3 Eliminate 64-KByte Aliased Data Accesses

The 64-KByte aliasing condition is discussed in Chapter 3. Memory accesses that satisfy the 64-KByte aliasing condition can cause excessive evictions of the first-level data cache. Eliminating 64-KByte aliased data accesses originating from each thread helps improve frequency scaling in general. Furthermore, it enables the first-level data cache to perform efficiently when HT Technology is fully utilized by software applications.

User/Source Coding Rule 33. (H impact, H generality) *Minimize data access patterns that are offset by multiples of 64 KBytes in each thread.*

The presence of 64-KByte aliased data access can be detected using Pentium 4 processor performance monitoring events. Appendix B includes an updated list of Pentium 4 processor performance metrics. These metrics are based on events accessed using the Intel VTune Performance Analyzer.

Performance penalties associated with 64-KByte aliasing are applicable mainly to current processor implementations of HT Technology or Intel NetBurst microarchitecture. The next section discusses memory optimization techniques that are applicable to multithreaded applications running on processors supporting HT Technology.

8.6.4 Preventing Excessive Evictions in First-Level Data Cache

Cached data in a first-level data cache are indexed to linear addresses but physically tagged. Data in second-level and third-level caches are tagged and indexed to physical addresses. While two logical processors in the same physical processor package execute in separate linear address space, the same processors can reference data at the same linear address in two address spaces but mapped to different physical addresses. When such competing accesses occur simultaneously, they can cause repeated evictions and allocations of cache lines in the first-level data cache. Preventing unnecessary evictions in the first-level data cache by two competing threads improves the temporal locality of the first-level data cache.

Multithreaded applications need to prevent unnecessary evictions in the first-level data cache when:

- Multiple threads within an application try to access private data on their stack, some data access patterns can cause excessive evictions of cache lines. Within the same software process, multiple threads have their respective stacks, and these stacks are located at different linear addresses. Frequently the linear addresses of these stacks are spaced apart by some fixed distance that increases the likelihood of a cache line being used by multiple threads.
- Two instances of the same application run concurrently and are executing in lock steps (for example, corresponding data in each instance are accessed more or less synchronously), accessing data on the stack (and sometimes accessing data on the heap) by these two processes can also cause excessive evictions of cache lines because of address conflicts.

8.6.4.1 Per-thread Stack Offset

To prevent private stack accesses in concurrent threads from thrashing the first-level data cache, an application can use a per-thread stack offset for each of its threads. The size of these offsets should be multiples of a common base offset. The optimum choice of this common base offset may depend on the memory access characteristics of the threads; but it should be multiples of 128 bytes.

One effective technique for choosing a per-thread stack offset in an application is to add an equal amount of stack offset each time a new thread is created in a thread pool.⁷ Example 8-9 shows a code fragment that implements per-thread stack offset for three threads using a reference offset of 1024 bytes.

7. For parallel applications written to run with OpenMP, the OpenMP runtime library in Intel[®] KAP/Pro Toolset automatically provides the stack offset adjustment for each thread.

User/Source Coding Rule 34. (H impact, M generality) *Adjust the private stack of each thread in an application so that the spacing between these stacks is not offset by multiples of 64 KBytes or 1 MByte to prevent unnecessary cache line evictions (when using Intel processors supporting HT Technology).*

Example 8-9. Adding an Offset to the Stack Pointer of Three Threads

```

Void Func_thread_entry(DWORD *pArg)
{
    DWORD StackOffset = *pArg;
    DWORD var1; // The local variable at this scope may not benefit
    DWORD var2; // from the adjustment of the stack pointer that ensue.

    // Call runtime library routine to offset stack pointer.
    _alloca(StackOffset);
}
// Managing per-thread stack offset to create three threads:
// * Code for the thread function
// * Stack accesses within descendant functions (do_foo1, do_foo2)
// are less likely to cause data cache evictions because of the
// stack offset.
do_foo1();
do_foo2();
}

main ()
{
    DWORD Stack_offset, ID_Thread1, ID_Thread2, ID_Thread3;
    Stack_offset = 1024;
    // Stack offset between parent thread and the first child thread.
    ID_Thread1 = CreateThread(Func_thread_entry, &Stack_offset);
    // Call OS thread API.

    Stack_offset = 2048;
    ID_Thread2 = CreateThread(Func_thread_entry, &Stack_offset);
    Stack_offset = 3072;
    ID_Thread3 = CreateThread(Func_thread_entry, &Stack_offset);
}

```

8.6.4.2 Per-instance Stack Offset

Each instance an application runs in its own linear address space; but the address layout of data for stack segments is identical for the both instances. When the instances are running in lock step, stack accesses are likely to cause of excessive evictions of cache lines in the first-level data cache for some early implementations of HT Technology in IA-32 processors.

Although this situation (two copies of an application running in lock step) is seldom an objective for multithreaded software or a multiprocessor platform, it can happen by an end-user's direction. One solution is to allow application instance to add a suitable linear address-offset for its stack. Once this offset is added at start-up, a buffer of linear addresses is established even when two copies of the same application are executing using two logical processors in the same physical processor package. The space has negligible impact on running dissimilar applications and on executing multiple copies of the same application.

However, the buffer space does enable the first-level data cache to be shared cooperatively when two copies of the same application are executing on the two logical processors in a physical processor package.

To establish a suitable stack offset for two instances of the same application running on two logical processors in the same physical processor package, the stack pointer can be adjusted in the entry function of the application using the technique shown in Example 8-10. The size of stack offsets should also be a multiple of a reference offset that may depend on the characteristics of the application's data access pattern. One way to determine the per-instance value of the stack offsets is to choose a pseudo-random number that is also a multiple of the reference offset or 128 bytes. Usually, this per-instance pseudo-random offset can be less than 7 KByte. Example 8-10 provides a code fragment for adjusting the stack pointer in an application entry function.

User/Source Coding Rule 35. (M impact, L generality) *Add per-instance stack offset when two instances of the same application are executing in lock steps to avoid memory accesses that are offset by multiples of 64 KByte or 1 MByte, when targeting Intel processors supporting HT Technology.*

Example 8-10. Adding a Pseudo-random Offset to the Stack Pointer in the Entry Function

```
void main()
{
char * pPrivate = NULL;
long myOffset = GetMod7Krandom128X()
// A pseudo-random number that is a multiple
// of 128 and less than 7K.
// Use runtime library routine to reposition.
_alloca(myOffset); // The stack pointer.
}

// The rest of application code below, stack accesses in descendant
// functions (e.g. do_foo) are less likely to cause data cache
// evictions because of the stack offsets.
do_foo();
}
```

8.7 FRONT-END OPTIMIZATION

In the Intel NetBurst microarchitecture family of processors, the instructions are decoded into μ ops and sequences of μ ops called traces are stored in the Execution Trace Cache. The Trace Cache is the primary sub-system in the front end of the processor that delivers μ op traces to the execution engine. Optimization guidelines for front-end operation in single-threaded applications are discussed in Chapter 3.

For dual-core processors where the second-level unified cache (for data and code) is duplicated for each core (Pentium Processor Extreme Edition, Pentium D processor), there are no special considerations for front-end optimization on behalf of two processor cores in a physical processor.

For dual-core processors where the second-level unified cache is shared by two processor cores (Intel Core Duo processor and processors based on Intel Core microarchitecture), multi-threaded software should consider the increase in code working set due to two threads fetching code from the unified cache as part of front-end and cache optimization.

This next two sub-sections discuss guidelines for optimizing the operation of the Execution Trace Cache on processors supporting HT Technology.

8.7.1 Avoid Excessive Loop Unrolling

Unrolling loops can reduce the number of branches and improve the branch predictability of application code. Loop unrolling is discussed in detail in Chapter 3. Loop unrolling must be used judiciously. Be sure to consider the benefit of improved branch predictability and the cost of increased code size relative to the Trace Cache.

User/Source Coding Rule 36. (M impact, L generality) *Avoid excessive loop unrolling to ensure the Trace cache is operating efficiently.*

On HT-Technology-enabled processors, excessive loop unrolling is likely to reduce the Trace Cache's ability to deliver high bandwidth μ op streams to the execution engine.

8.7.2 Optimization for Code Size

When the Trace Cache is continuously and repeatedly delivering μ op traces that are pre-built, the scheduler in the execution engine can dispatch μ ops for execution at a high rate and maximize the utilization of available execution resources. Optimizing application code size by organizing code sequences that are repeatedly executed into sections, each with a footprint that can fit into the Trace Cache, can improve application performance greatly.

On HT-Technology-enabled processors, multithreaded applications should improve code locality of frequently executed sections and target one half of the size of Trace Cache for each application thread when considering code size optimization. If code size becomes an issue affecting the efficiency of the front end, this may be detected

by evaluating performance metrics discussed in the previous sub-section with respect to loop unrolling.

User/Source Coding Rule 37. (L impact, L generality) *Optimize code size to improve locality of Trace cache and increase delivered trace length.*

8.8 USING THREAD AFFINITIES TO MANAGE SHARED PLATFORM RESOURCES

Each logical processor in an MP system has unique initial APIC_ID which can be queried using CPUID. Resources shared by more than one logical processors in a multithreading platform can be mapped into a three-level hierarchy for a non-clustered MP system. Each of the three levels can be identified by a label, which can be extracted from the initial APIC_ID associated with a logical processor. See Chapter 7 of the *Intel® 64 and IA-32 Architectures Software Developer's Manual, Volume 3A* for details. The three levels are:

- Physical processor package. A PACKAGE_ID label can be used to distinguish different physical packages within a cluster.
- Core: A physical processor package consists of one or more processor cores. A CORE_ID label can be used to distinguish different processor cores within a package.
- SMT: A processor core provides one or more logical processors sharing execution resources. A SMT_ID label can be used to distinguish different logical processors in the same processor core.

Typically, each logical processor that is enabled by the operating system and made available to application for thread-scheduling is represented by a bit in an OS construct, commonly referred to as an affinity mask⁸. Software can use an affinity mask to control the binding of a software thread to a specific logical processor at runtime.

Software can query CPUID on each enabled logical processor to assemble a table for each level of the three-level identifiers. These tables can be used to track the topological relationships between PACKAGE_ID, CORE_ID, and SMT_ID and to construct look-up tables of initial APIC_ID and affinity masks.

The sequence to assemble tables of PACKAGE_ID, CORE_ID, and SMT_ID is shown in Example 8-11. The example uses support routines described in Chapter 7 of the *Intel® 64 and IA-32 Architectures Software Developer's Manual, Volume 3A*.

8. The number of non-zero bits in the affinity mask provided by the OS at runtime may be less than the total number of logical processors available in the platform hardware, due to various features implemented either in the BIOS or OS.

Affinity masks can be used to optimize shared multithreading resources.

Example 8-11. Assembling 3-level IDs, Affinity Masks for Each Logical Processor

```
// The BIOS and/or OS may limit the number of logical processors
// available to applications after system boot.
// The below algorithm will compute topology for the logical processors
// visible to the thread that is computing it.
// Extract the 3-levels of IDs on every processor.
// SystemAffinity is a bitmask of all the processors started by the OS.
// Use OS specific APIs to obtain it.
// ThreadAffinityMask is used to affinitize the topology enumeration
// thread to each processor using OS specific APIs.
// Allocate per processor arrays to store the Package_ID, Core_ID and
// SMT_ID for every started processor.

typedef struct {
    AFFINITYMASK affinity_mask; // 8 byte in 64-bit mode,
                               // 4 byte otherwise.
    unsigned char smt;
;   unsigned char core;
    unsigned char pkg;
    unsigned char initialAPIC_ID;
} APIC_MAP_T;
APIC_MAP_T apic_conf[64];

ThreadAffinityMask = 1;
ProcessorNum = 0;
while (ThreadAffinityMask != 0 && ThreadAffinityMask <=
SystemAffinity) {
    // Check to make sure we can utilize this processor first.
```

Example 8-11. Assembling 3-level IDs, Affinity Masks for Each Logical Processor (Contd.)

```

    if (ThreadAffinityMask & SystemAffinity){
        Set thread to run on the processor specified in ThreadAffinityMask.
        Wait if necessary and ensure thread is running on specified processor.
        apic_conf[ProcessorNum].initialAPIC_ID = GetinitialAPIC_ID();
        Extract the Package, Core and SMT ID as explained in three
        level extraction algorithm.

        apic_conf[ProcessorNum].pkg = PACKAGE_ID;
        apic_conf[ProcessorNum].core = CORE_ID;
        apic_conf[ProcessorNum].smt = SMT_ID;
        apic_conf[ProcessorNum].affinity_mask = ThreadAffinityMask;
        ProcessorNum++;
    }
    ThreadAffinityMask <<= 1;
}
NumStartedLPs = ProcessorNum;

```

Arrangements of affinity-binding can benefit performance more than other arrangements. This applies to:

- Scheduling two domain-decomposition threads to use separate cores or physical packages in order to avoid contention of execution resources in the same core
- Scheduling two functional-decomposition threads to use shared execution resources cooperatively
- Scheduling pairs of memory-intensive threads and compute-intensive threads to maximize processor scaling and avoid resource contentions in the same core

An example using the 3-level hierarchy and relationships between the initial APIC_ID and the affinity mask to manage thread affinity binding is shown in Example 8-12. The example shows an implementation of building a lookup table so that the sequence of thread scheduling is mapped to an array of affinity masks such that threads are scheduled first to the primary logical processor of each processor core. This example is also optimized to the situations of scheduling two memory-intensive threads to run on separate cores and scheduling two compute-intensive threads on separate cores.

User/Source Coding Rule 38. (M impact, L generality) Consider using thread affinity to optimize sharing resources cooperatively in the same core and subscribing dedicated resource in separate processor cores.

Some multicore processor implementation may have a shared cache topology that is not uniform across different cache levels. The deterministic cache parameter leaf of CPUID will report such cache-sharing topology. The 3-level hierarchy and relationships between the initial APIC_ID and affinity mask can also be used to manage such a topology.

Example 8-13 illustrates the steps of discovering sibling logical processors in a physical package sharing a target level cache. The algorithm assumes initial APIC IDs are assigned in a manner that respect bit field boundaries, with respect to the modular boundary of the subset of logical processor sharing that cache level. Software can query the number of logical processors in hardware sharing a cache using the deterministic cache parameter leaf of CPUID. By comparing the relevant bits in the initial APIC_ID, one can construct a mask to represent sibling logical processors that are sharing the same cache.

Note the bit field boundary of the cache-sharing topology is not necessarily the same as the core boundary. Some cache levels can be shared across core boundary.

Example 8-12. Assembling a Look up Table to Manage Affinity Masks and Schedule Threads to Each Core First

```

AFFINITYMASK LuT[64]; // A Lookup table to retrieve the affinity
                    // mask we want to use from the thread
                    // scheduling sequence index.

int index =0; // Index to scheduling sequence.
j = 0;

/ Assemble the sequence for first LP consecutively to different core.
while (j < NumStartedLPs) {
    // Determine the first LP in each core.
    if(! apic_conf [j ].smt) { // This is the first LP in a core
                            // supporting HT.
        LuT[index++] = apic_conf[j].affinitymask;
    }
    j++;
}

/// Now the we have assigned each core to consecutive indices,
/// we can finish the table to use the rest of the
/// LPs in each core.
nThreadsPerCore = MaxLPPerPackage()/MaxCoresPerPackage();
for (i = 0 ; i < nThreadsPerCore; i ++){
    for (j = 0 ; j < NumStartedLPs; j += nThreadsPerCore) {
        // Set the affinity binding for another logical
        // processor in each core.

        if( apic_conf[ i+j ].SMT) {
            LuT[ index++] = apic_id[ i+j ].affinitymask;
        }
    }
}
}

```


Example 8-13. Discovering the Affinity Masks for Sibling Logical Processors Sharing the Same Cache

```

// Logical processors sharing the same cache can be determined by bucketing
// the logical processors with a mask, the width of the mask is determined
// from the maximum number of logical processors sharing that cache level.
// The algorithm below assumes that all processors have identical cache hierarchy
// and initial APIC ID assignment across the modular
// boundary of the logical processor sharing the target level cache must respect
// bit-field boundary. This is a requirement similar to those applying to
// core boundary and package boundary. The modular boundary of those
// logical processors sharing the target level cache may coincide with core
// boundary or above core boundary.

ThreadAffinityMask = 1;
ProcessorNum = 0;
while (ThreadAffinityMask != 0 && ThreadAffinityMask <=
    SystemAffinity) {
    // Check to make sure we can utilize this processor first.
    if (ThreadAffinityMask & SystemAffinity){
        Set thread to run on the processor specified in
        ThreadAffinityMask.
        Wait if necessary and ensure thread is running on specified
        processor.
        initialAPIC_ID = GetInitialAPIC_ID();
        Extract the Package, Core and SMT ID as explained in
        three level extraction algorithm.
        Extract the CACHE_ID similar to the PACKAGE_ID extraction algorithm.
        // Cache topology may vary for each cache level, one mask for each level.
        // The target level is selected by the input value index
        CacheIDMask = ((uchar) (0xff <<
            FindMaskWidth(MaxLPSharingCache(TargetLevel)))); // See Example 8-9.
        CACHE_ID = InitialAPIC_ID & CacheIDMask;

        PackageID[ProcessorNUM] = PACKAGE_ID;
        CoreID[ProcessorNum] = CORE_ID;
        SmtID[ProcessorNum] = SMT_ID;
        CacheID[ProcessorNUM] = CACHE_ID;
        // Only the target cache is stored in this example
        ProcessorNum++;
    }
    ThreadAffinityMask <<= 1;
}
NumStartedLPs = ProcessorNum;

```

Example 8-13. Discovering the Affinity Masks for Sibling Logical Processors Sharing the Same Cache (Contd.)

CacheIDBucket is an array of unique Cache_ID values. Allocate an array of NumStartedLPs count of entries in this array for the target cache level.

CacheProcessorMask is a corresponding array of the bit mask of logical processors sharing the same target level cache, these are logical processors with the same Cache_ID.

The algorithm below assumes there is symmetry across the modular boundary of target cache topology if more than one socket is populated in an MP system, and only the topology of the target cache level is discovered. Topology of other cache level can be determined in a similar manner.

```
// Bucket Cache IDs and compute processor mask for the target cache of every package.
CacheNum = 1;
CacheIDBucket[0] = CacheID[0];
ProcessorMask = 1;
CacheProcessorMask[0] = ProcessorMask;

    If (CacheID[ProcessorNum] == CacheIDBucket[i]) {
        CacheProcessorMask[i] |= ProcessorMask;
        Break; //Found in existing bucket,skip to next iteration.
    }
}

For (ProcessorNum = 1; ProcessorNum < NumStartedLPs; ProcessorNum++){
    ProcessorMask <<= 1;
    For (i = 0; i < CacheNum; i++) {

        // We may be comparing bit-fields of logical processors
        // residing in a different modular boundary of the cache
        // topology, the code below assume symmetry across this
        // modular boundary.

        if (i == CacheNum) {
            // Cache_ID did not match any bucket, start new bucket.
            CacheIDBucket[i] = CacheID[ProcessorNum];
            CacheProcessorMask[i] = ProcessorMask;
            CacheNum++;
        }
    }
}

// CacheNum has the number of distinct modules which contain
// sibling logical processor sharing the target Cache.
// CacheProcessorMask[] array has the mask representing those logical
// processors sharing the same target level cache.
```

8.9 OPTIMIZATION OF OTHER SHARED RESOURCES

Resource optimization in multi-threaded application depends on the cache topology and execution resources associated within the hierarchy of processor topology. Processor topology and an algorithm for software to identify the processor topology are discussed in Chapter 7 of the *Intel® 64 and IA-32 Architectures Software Developer's Manual, Volume 3A*.

Typically the bus system is shared by multiple agents at the SMT level and at the processor core level of the processor topology. Thus multi-threaded application design should start with an approach to manage the bus bandwidth available to multiple processor agents sharing the same bus link in an equitable manner. This can be done by improving the data locality of an individual application thread or allowing two threads to take advantage of a shared second-level cache (where such shared cache topology is available).

In general, optimizing the building blocks of a multi-threaded application can start from an individual thread. The guidelines discussed in Chapter 3 through Chapter 9 largely apply to multi-threaded optimization.

Tuning Suggestion 3. Optimize single threaded code to maximize execution throughput first.

At the SMT level, HT Technology typically can provide two logical processors sharing execution resources within a processor core. To help multithreaded applications utilize shared execution resources effectively, the rest of this section describes guidelines to deal with common situations as well as those limited situations where execution resource utilization between threads may impact overall performance.

Most applications only use about 20-30% of peak execution resources when running in a single-threaded environment. A useful indicator that relates to this is by measuring the execution throughput at the retirement stage (See Appendix A.2.1.3, "Workload Characterization"). In a processor that supports HT Technology, execution throughput seldom reaches 50% of peak retirement bandwidth. Thus, improving single-thread execution throughput should also benefit multithreading performance.

Tuning Suggestion 4. Optimize multithreaded applications to achieve optimal processor scaling with respect to the number of physical processors or processor cores.

Following the guidelines, such as reduce thread synchronization costs, locality enhancements, and conserving bus bandwidth, will allow multithreading hardware to exploit task-level parallelism in the workload and improve MP scaling. In general, reducing the dependence of resources shared between physical packages will benefit processor scaling with respect to the number of physical processors. Similarly, heavy reliance on resources shared with different cores is likely to reduce processor scaling performance. On the other hand, using shared resource effectively can deliver positive benefit in processor scaling, if the workload does saturate the critical resource in contention.

Tuning Suggestion 5. Schedule threads that compete for the same execution resource to separate processor cores.

Tuning Suggestion 6. Use on-chip execution resources cooperatively if two logical processors are sharing the execution resources in the same processor core.

8.9.1 Using Shared Execution Resources in a Processor Core

One way to measure the degree of overall resource utilization by a single thread is to use performance-monitoring events to count the clock cycles that a logical processor is executing code and compare that number to the number of instructions executed to completion. Such performance metrics are described in Appendix B and can be accessed using the Intel VTune Performance Analyzer.

An event ratio like non-halted cycles per instructions retired (non-halted CPI) and non-sleep CPI can be useful in directing code-tuning efforts. The non-sleep CPI metric can be interpreted as the inverse of the overall throughput of a physical processor package. The non-halted CPI metric can be interpreted as the inverse of the throughput of a logical processor⁹.

When a single thread is executing and all on-chip execution resources are available to it, non-halted CPI can indicate the unused execution bandwidth available in the physical processor package. If the value of a non-halted CPI is significantly higher than unity and overall on-chip execution resource utilization is low, a multithreaded application can direct tuning efforts to encompass the factors discussed earlier.

An optimized single thread with exclusive use of on-chip execution resources may exhibit a non-halted CPI in the neighborhood of unity¹⁰. Because most frequently used instructions typically decode into a single micro-op and have throughput of no more than two cycles, an optimized thread that retires one micro-op per cycle is only consuming about one third of peak retirement bandwidth. Significant portions of the issue port bandwidth are left unused. Thus, optimizing single-thread performance usually can be complementary with optimizing a multithreaded application to take advantage of the benefits of HT Technology.

On a processor supporting HT Technology, it is possible that an execution unit with lower throughput than one issue every two cycles may find itself in contention from two threads implemented using a data decomposition threading model. In one scenario, this can happen when the inner loop of both threads rely on executing a low-throughput instruction, such as FDIV, and the execution time of the inner loop is bound by the throughput of FDIV.

Using a function decomposition threading model, a multithreaded application can pair up a thread with critical dependence on a low-throughput resource with other threads that do not have the same dependency.

9. Non-halted CPI can correlate to the resource utilization of an application thread, if the application thread is affinitized to a fixed logical processor.

10. In current implementations of processors based on Intel NetBurst microarchitecture, the theoretical lower bound for either non-halted CPI or non-sleep CPI is 1/3. Practical applications rarely achieve any value close to the lower bound.

User/Source Coding Rule 39. (M impact, L generality) *If a single thread consumes half of the peak bandwidth of a specific execution unit (e.g. FDIV), consider adding a thread that seldom or rarely relies on that execution unit, when tuning for HT Technology.*

To ensure execution resources are shared cooperatively and efficiently between two logical processors, it is important to reduce stall conditions, especially those conditions causing the machine to flush its pipeline.

The primary indicator of a Pentium 4 processor pipeline stall condition is called Machine Clear. The metric is available from the VTune Analyzer's event sampling capability. When the machine clear condition occurs, all instructions that are in flight (at various stages of processing in the pipeline) must be resolved and then they are either retired or cancelled. While the pipeline is being cleared, no new instructions can be fed into the pipeline for execution. Before a machine clear condition is de-asserted, execution resources are idle.

Reducing the machine clear condition benefits single-thread performance because it increases the frequency scaling of each thread. The impact is even higher on processors supporting HT Technology, because a machine clear condition caused by one thread can impact other threads executing simultaneously.

Several performance metrics can be used to detect situations that may cause a pipeline to be cleared. The primary metric is the Machine Clear Count: it indicates the total number of times a machine clear condition is asserted due to any cause. Possible causes include memory order violations and self-modifying code. Assists while executing x87 or SSE instructions have a similar effect on the processor's pipeline and should be reduced to a minimum.

Write-combining buffers are another example of execution resources shared between two logical processors. With two threads running simultaneously on a processor supporting HT Technology, the WRITES of both threads count toward the limit of four write-combining buffers. For example: if an inner loop that writes to three separate areas of memory per iteration is run by two threads simultaneously, the total number of cache lines written could be six. This being true, the code loses the benefits of write-combining. Loop-fission applied to this situation creates two loops, neither of which is allowed to write to more than two cache lines per iteration.

The rules and tuning suggestions discussed above are summarized in Appendix E.

CHAPTER 9

64-BIT MODE CODING GUIDELINES

9.1 INTRODUCTION

This chapter describes coding guidelines for application software written to run in 64-bit mode. Some coding recommendations applicable to 64-bit mode are covered in Chapter 3. The guidelines in this chapter should be considered as an addendum to the coding guidelines described in Chapter 3 through Chapter 8.

Software that runs in either compatibility mode or legacy non-64-bit modes should follow the guidelines described in Chapter 3 through Chapter 8.

9.2 CODING RULES AFFECTING 64-BIT MODE

9.2.1 Use Legacy 32-Bit Instructions When Data Size Is 32 Bits

64-bit mode makes 16 general purpose 64-bit registers available to applications. If application data size is 32 bits, there is no need to use 64-bit registers or 64-bit arithmetic.

The default operand size for most instructions is 32 bits. The behavior of those instructions is to make the upper 32 bits all zeros. For example, when zeroing out a register, the following two instruction streams do the same thing, but the 32-bit version saves one instruction byte:

32-bit version:

```
xor eax, eax; Performs xor on lower 32bits and zeroes the upper 32 bits.
```

64-bit version:

```
xor rax, rax; Performs xor on all 64 bits.
```

This optimization holds true for the lower 8 general purpose registers: EAX, ECX, EBX, EDX, ESP, EBP, ESI, EDI. To access the data in registers R9-R15, the REX prefix is required. Using the 32-bit form there does not reduce code size.

Assembly/Compiler Coding Rule 65. (H impact, M generality) Use the 32-bit versions of instructions in 64-bit mode to reduce code size unless the 64-bit version is necessary to access 64-bit data or additional registers.

9.2.2 Use Extra Registers to Reduce Register Pressure

64-bit mode makes 8 additional 64-bit general purpose registers and 8 additional XMM registers available to applications. To access the additional registers, a single byte REX prefix is necessary. Using 8 additional registers can prevent the compiler from needing to spill values onto the stack.

Note that the potential increase in code size, due to the REX prefix, can increase cache misses. This can work against the benefit of using extra registers to access the data. When eight registers are sufficient for an algorithm, don't use the registers that require an REX prefix. This keeps the code size smaller.

Assembly/Compiler Coding Rule 66. (M impact, MH generality) When they are needed to reduce register pressure, use the 8 extra general purpose registers for integer code and 8 extra XMM registers for floating-point or SIMD code.

9.2.3 Use 64-Bit by 64-Bit Multiplies To Produce 128-Bit Results Only When Necessary

Integer multiplies of 64-bit by 64-bit operands that produce a 128-bit result cost more than multiplies that produce a 64-bit result. The upper 64-bits of a result take longer to compute than the lower 64 bits.

If the compiler can determine at compile time that the result of a multiply will not exceed 64 bits, then the compiler should generate the multiply instruction that produces a 64-bit result. If the compiler or assembly programmer can not determine that the result will be less than 64 bits, then a multiply that produces a 128-bit result is necessary.

Assembly/Compiler Coding Rule 67. (ML impact, M generality) Prefer 64-bit by 64-bit integer multiplies that produce 64-bit results over multiplies that produce 128-bit results.

9.2.4 Sign Extension to Full 64-Bits

When in 64-bit mode, the architecture is optimized to sign-extend to 64 bits in a single μop . In 64-bit mode, when the destination is 32 bits, the upper 32 bits must be zeroed.

Zeroing the upper 32 bits requires an extra μop and is less optimal than sign extending to 64 bits. While sign extending to 64 bits makes the instruction one byte longer, it reduces the number of μops that the trace cache has to store, improving performance.

For example, to sign-extend a byte into ESI, use:

```
movsx rsi, BYTE PTR[rax]
```

instead of:

```
movsx esi, BYTE PTR[rax]
```

If the next instruction uses the 32-bit form of esi register, the result will be the same. This optimization can also be used to break an unintended dependency. For example, if a program writes a 16-bit value to a register and then writes the register with an 8-bit value, if bits 15:8 of the destination are not needed, use the sign-extended version of writes when available.

For example:

```
mov r8w, r9w; Requires a merge to preserve
; bits 63:15.
mov r8b, r10b; Requires a merge to preserve bits 63:8
```

Can be replaced with:

```
movsx r8, r9w ; If bits 63:8 do not need to be
; preserved.
movsx r8, r10b ; If bits 63:8 do not need to
; be preserved.
```

In the above example, the moves to R8W and R8B both require a merge to preserve the rest of the bits in the register. There is an implicit real dependency on R8 between the 'MOV R8W, R9W' and 'MOV R8B, R10B'. Using MOVSX breaks the real dependency and leaves only the output dependency, which the processor can eliminate through renaming.

Assembly/Compiler Coding Rule 68. (M impact, M generality) Sign extend to 64-bits instead of sign extending to 32 bits, even when the destination will be used as a 32-bit value.

9.3 ALTERNATE CODING RULES FOR 64-BIT MODE

9.3.1 Use 64-Bit Registers Instead of Two 32-Bit Registers for 64-Bit Arithmetic

Legacy 32-bit mode offers the ability to support extended precision integer arithmetic (such as 64-bit arithmetic). However, 64-bit mode offers native support for 64-bit arithmetic. When 64-bit integers are desired, use the 64-bit forms of arithmetic instructions.

In 32-bit legacy mode, getting a 64-bit result from a 32-bit by 32-bit integer multiply requires three registers; the result is stored in 32-bit chunks in the EDX:EAX pair. When the instruction is available in 64-bit mode, using the 32-bit version of the

instruction is not the optimal implementation if a 64-bit result is desired. Use the extended registers.

For example, the following code sequence loads the 32-bit values sign-extended into the 64-bit registers and performs a multiply:

```
movsx rax, DWORD PTR[x]
movsx rcx, DWORD PTR[y]
imul rax, rcx
```

The 64-bit version above is more efficient than using the following 32-bit version:

```
mov eax, DWORD PTR[x]
mov ecx, DWORD PTR[y]
imul ecx
```

In the 32-bit case above, EAX is required to be a source. The result ends up in the EDX:EAX pair instead of in a single 64-bit register.

Assembly/Compiler Coding Rule 69. (ML impact, M generality) Use the 64-bit versions of multiply for 32-bit integer multiplies that require a 64 bit result.

To add two 64-bit numbers in 32-bit legacy mode, the add instruction followed by the addc instruction is used. For example, to add two 64-bit variables (X and Y), the following four instructions could be used:

```
mov eax, DWORD PTR[X]
mov edx, DWORD PTR[X+4]
add eax, DWORD PTR[Y]
adc edx, DWORD PTR[Y+4]
```

The result will end up in the two-register EDX:EAX.

In 64-bit mode, the above sequence can be reduced to the following:

```
mov rax, QWORD PTR[X]
add rax, QWORD PTR[Y]
```

The result is stored in rax. One register is required instead of two.

Assembly/Compiler Coding Rule 70. (ML impact, M generality) Use the 64-bit versions of add for 64-bit adds.

9.3.2 CVTSI2SS and CVTSI2SD

The CVTSI2SS and CVTSI2SD instructions convert a signed integer in a general-purpose register or memory location to a single-precision or double-precision floating-point value. The signed integer can be either 32-bits or 64-bits.

In processors based on Intel NetBurst microarchitecture, the 32-bit version will execute from the trace cache; the 64-bit version will result in a microcode flow from the microcode ROM and takes longer to execute. In most cases, the 32-bit versions of CVTSI2SS and CVTSI2SD is sufficient.

In processors based on Intel Core microarchitecture, CVTSS and CVTSD are improved significantly over those in Intel NetBurst microarchitecture, in terms of latency and throughput. The improvements applies equally to 64-bit and 32-bit versions.

9.3.3 Using Software Prefetch

Intel recommends that software developers follow the recommendations in Chapter 3 and Chapter 7 when considering the choice of organizing data access patterns to take advantage of the hardware prefetcher (versus using software prefetch).

Assembly/Compiler Coding Rule 71. (L impact, L generality) If software prefetch instructions are necessary, use the prefetch instructions provided by SSE.

CHAPTER 10

POWER OPTIMIZATION FOR MOBILE USAGES

10.1 OVERVIEW

Mobile computing allows computers to operate anywhere, anytime. Battery life is a key factor in delivering this benefit. Mobile applications require software optimization that considers both performance and power consumption. This chapter provides background on power saving techniques in mobile processors¹ and makes recommendations that developers can leverage to provide longer battery life.

A microprocessor consumes power while actively executing instructions and doing useful work. It also consumes power in inactive states (when halted). When a processor is active, its power consumption is referred to as active power. When a processor is halted, its power consumption is referred to as static power.

ACPI 3.0 (ACPI stands for Advanced Configuration and Power Interface) provides a standard that enables intelligent power management and consumption. It does this by allowing devices to be turned on when they are needed and by allowing control of processor speed (depending on application requirements). The standard defines a number of P-states to facilitate management of active power consumption; and several C-state types² to facilitate management of static power consumption.

Pentium M, Intel Core Solo, Intel Core Duo processors, and processors based on Intel Core microarchitecture implement features designed to enable the reduction of active power and static power consumption. These include:

- Enhanced Intel SpeedStep[®] Technology enables operating system (OS) to program a processor to transition to lower frequency and/or voltage levels while executing a workload.
- Support for various activity states (for example: Sleep states, ACPI C-states) to reduce static power consumption by turning off power to sub-systems in the processor.

Enhanced Intel SpeedStep Technology provides low-latency transitions between operating points that support P-state usages. In general, a high-numbered P-state operates at a lower frequency to reduce active power consumption. High-numbered C-state types correspond to more aggressive static power reduction. The trade-off is that transitions out of higher-numbered C-states have longer latency.

-
1. For Intel[®] Centrino[®] mobile technology and Intel[®] Centrino[®] Duo mobile technology, only processor-related techniques are covered in this manual.
 2. ACPI 3.0 specification defines four C-state types, known as C0, C1, C2, C3. Microprocessors supporting the ACPI standard implement processor-specific states that map to each ACPI C-state type.

10.2 MOBILE USAGE SCENARIOS

In mobile usage models, heavy loads occur in bursts while working on battery power. Most productivity, web, and streaming workloads require modest performance investments. Enhanced Intel SpeedStep Technology provides an opportunity for an OS to implement policies that track the level of performance history and adapt the processor's frequency and voltage. If demand changes in the last 300 ms³, the technology allows the OS to optimize the target P-state by selecting the lowest possible frequency to meet demand.

Consider, for example, an application that changes processor utilization from 100% to a lower utilization and then jumps back to 100%. The diagram in Figure 10-1 shows how the OS changes processor frequency to accommodate demand and adapt power consumption. The interaction between the OS power management policy and performance history is described below:

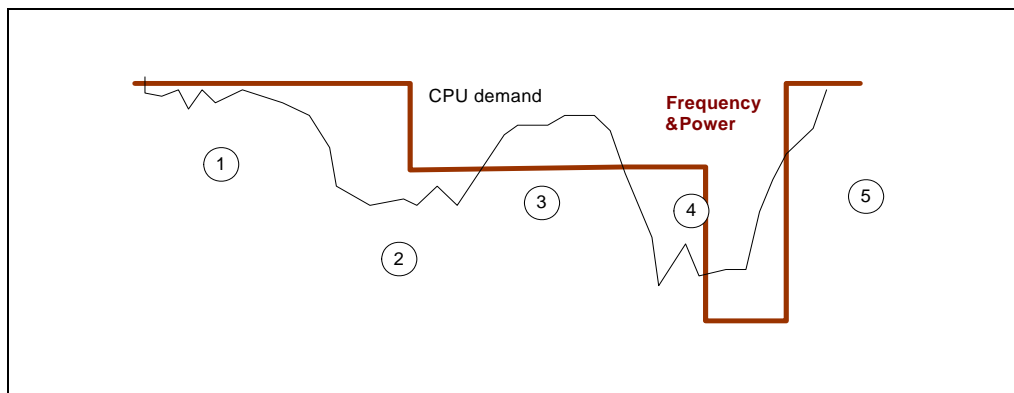


Figure 10-1. Performance History and State Transitions

1. Demand is high and the processor works at its highest possible frequency (P0).
2. Demand decreases, which the OS recognizes after some delay; the OS sets the processor to a lower frequency (P1).
3. The processor decreases frequency and processor utilization increases to the most effective level, 80-90% of the highest possible frequency. The same amount of work is performed at a lower frequency.

3. This chapter uses numerical values representing time constants (300 ms, 100 ms, etc.) on power management decisions as examples to illustrate the order of magnitude or relative magnitude. Actual values vary by implementation and may vary between product releases from the same vendor.

4. Demand decreases and the OS sets the processor to the lowest frequency, sometimes called Low Frequency Mode (LFM).
5. Demand increases and the OS restores the processor to the highest frequency.

10.3 ACPI C-STATES

When computational demands are less than 100%, part of the time the processor is doing useful work and the rest of the time it is idle. For example, the processor could be waiting on an application time-out set by a Sleep() function, waiting for a web server response, or waiting for a user mouse click. Figure 10-2 illustrates the relationship between active and idle time.

When an application moves to a wait state, the OS issues a HLT instruction and the processor enters a halted state in which it waits for the next interrupt. The interrupt may be a timer interrupt that comes every 10 ms or an interrupt that signals an event.

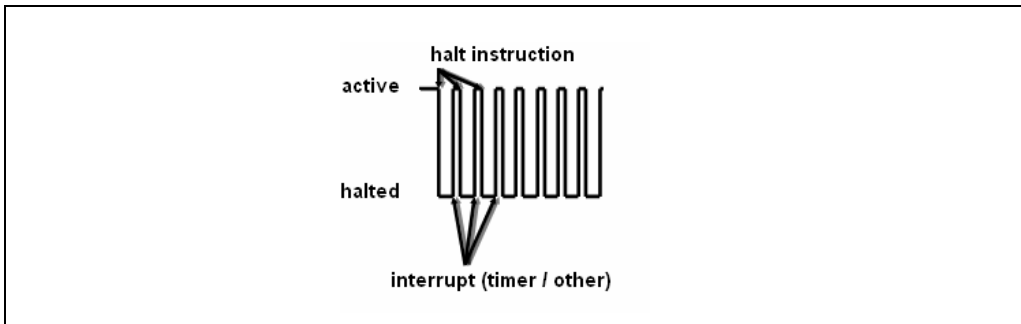


Figure 10-2. Active Time Versus Halted Time of a Processor

As shown in the illustration of Figure 10-2, the processor is in either active or idle (halted) state. ACPI defines four C-state types (C0, C1, C2 and C3). Processor-specific C states can be mapped to an ACPI C-state type via ACPI standard mechanisms. The C-state types are divided into two categories: active (C0), in which the processor consumes full power; and idle (C1-3), in which the processor is idle and may consume significantly less power.

The index of a C-state type designates the depth of sleep. Higher numbers indicate a deeper sleep state and lower power consumption. They also require more time to wake up (higher exit latency).

C-state types are described below:

- **C0** — The processor is active and performing computations and executing instructions.

- **C1** — This is the lowest-latency idle state, which has very low exit latency. In the C1 power state, the processor is able to maintain the context of the system caches.
- **C2** — This level has improved power savings over the C1 state. The main improvements are provided at the platform level.
- **C3** — This level provides greater power savings than C1 or C2. In C3, the processor stops clock generating and snooping activity. It also allows system memory to enter self-refresh mode.

The basic technique to implement OS power management policy to reduce static power consumption is by evaluating processor idle durations and initiating transitions to higher-numbered C-state types. This is similar to the technique of reducing active power consumption by evaluating processor utilization and initiating P-state transitions. The OS looks at history within a time window and then sets a target C-state type for the next time window, as illustrated in Figure 10-3:

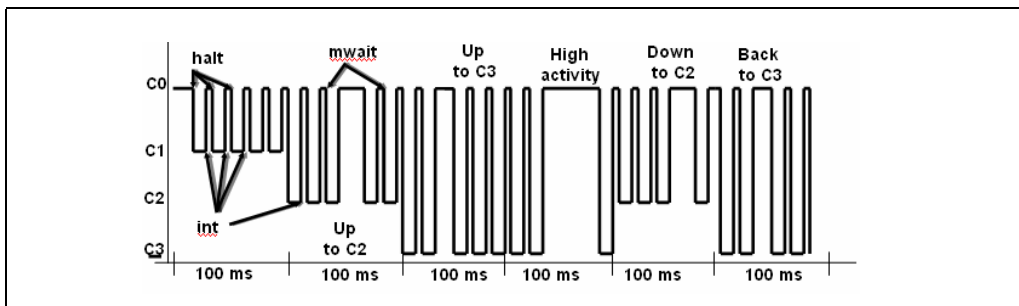


Figure 10-3. Application of C-states to Idle Time

Consider that a processor is in lowest frequency (LFM- low frequency mode) and utilization is low. During the first time slice window (Figure 10-3 shows an example that uses 100 ms time slice for C-state decisions), processor utilization is low and the OS decides to go to C2 for the next time slice. After the second time slice, processor utilization is still low and the OS decides to go into C3.

10.3.1 Processor-Specific C4 and Deep C4 States

The Pentium M, Intel Core Solo, Intel Core Duo processors, and processors based on Intel Core microarchitecture⁴ provide additional processor-specific C-states (and associated sub C-states) that can be mapped to ACPI C3 state type. The processor-

4. Pentium M processor can be detected by CPUID signature with family 6, model 9 or 13; Intel Core Solo and Intel Core Duo processor has CPUID signature with family 6, model 14; processors based on Intel Core microarchitecture has CPUID signature with family 6, model 15.

specific C states and sub C-states are accessible using MWAIT extensions and can be discovered using CPUID. One of the processor-specific state to reduce static power consumption is referred to as C4 state. C4 provides power savings in the following manner:

- The voltage of the processor is reduced to the lowest possible level that still allows the L2 cache to maintain its state.
- In an Intel Core Solo, Intel Core Duo processor or a processor based on Intel Core microarchitecture, after staying in C4 for an extended time, the processor may enter into a Deep C4 state to save additional static power.

The processor reduces voltage to the minimum level required to safely maintain processor context. Although exiting from a deep C4 state may require warming the cache, the performance penalty may be low enough such that the benefit of longer battery life outweighs the latency of the deep C4 state.

10.4 GUIDELINES FOR EXTENDING BATTERY LIFE

Follow the guidelines below to optimize to conserve battery life and adapt for mobile computing usage:

- Adopt a power management scheme to provide just-enough (not the highest) performance to achieve desired features or experiences.
- Avoid using spin loops.
- Reduce the amount of work the application performs while operating on a battery.
- Take advantage of hardware power conservation features using ACPI C3 state type and coordinate processor cores in the same physical processor.
- Implement transitions to and from system sleep states (S1-S4) correctly.
- Allow the processor to operate at a higher-numbered P-state (lower frequency but higher efficiency in performance-per-watt) when demand for processor performance is low.
- Allow the processor to enter higher-numbered ACPI C-state type (deeper, low-power states) when user demand for processor activity is infrequent.

10.4.1 Adjust Performance to Meet Quality of Features

When a system is battery powered, applications can extend battery life by reducing the performance or quality of features, turning off background activities, or both. Implementing such options in an application increases the processor idle time. Processor power consumption when idle is significantly lower than when active, resulting in longer battery life.

Example of techniques to use are:

- Reducing the quality/color depth/resolution of video and audio playback.
- Turning off automatic spell check and grammar correction.
- Turning off or reducing the frequency of logging activities.
- Consolidating disk operations over time to prevent unnecessary spin-up of the hard drive.
- Reducing the amount or quality of visual animations.
- Turning off, or significantly reducing file scanning or indexing activities.
- Postponing possible activities until AC power is present.

Performance/quality/battery life trade-offs may vary during a single session, which makes implementation more complex. An application may need to implement an option page to enable the user to optimize settings for user's needs (see Figure 10-4).

To be battery-power-aware, an application may use appropriate OS APIs. For Windows XP, these include:

- **GetSystemPowerStatus** — Retrieves system power information. This status indicates whether the system is running on AC or DC (battery) power, whether the battery is currently charging, and how much battery life remains.
- **GetActivePwrScheme** — Retrieves the active power scheme (current system power scheme) index. An application can use this API to ensure that system is running best power scheme. Avoid Using Spin Loops.

Spin loops are used to wait for short intervals of time or for synchronization. The main advantage of a spin loop is immediate response time. Using the `PeekMessage()` in Windows API has the same advantage for immediate response (but is rarely needed in current multitasking operating systems).

However, spin loops and `PeekMessage()` in message loops require the constant attention of the processor, preventing it from entering lower power states. Use them sparingly and replace them with the appropriate API when possible. For example:

- When an application needs to wait for more than a few milliseconds, it should avoid using spin loops and use the Windows synchronization APIs, such as `WaitForSingleObject()`.
- When an immediate response is not necessary, an application should avoid using `PeekMessage()`. Use `WaitMessage()` to suspend the thread until a message is in the queue.

Intel[®] Mobile Platform Software Development Kit⁵ provides a rich set of APIs for mobile software to manage and optimize power consumption of mobile processor and other components in the platform.

5. Evaluation copy may be downloaded at <http://www.intel.com/cd/software/products/asmo-na/eng/219691.htm>

10.4.2 Reducing Amount of Work

When a processor is in the C0 state, the amount of energy a processor consumes from the battery is proportional to the amount of time the processor executes an active workload. The most obvious technique to conserve power is to reduce the number of cycles it takes to complete a workload (usually that equates to reducing the number of instructions that the processor needs to execute, or optimizing application performance).

Optimizing an application starts with having efficient algorithms and then improving them using Intel software development tools, such as Intel VTune Performance Analyzers, Intel compilers, and Intel Performance Libraries.

See Chapter 3 through Chapter 7 for more information about performance optimization to reduce the time to complete application workloads.

10.4.3 Platform-Level Optimizations

Applications can save power at the platform level by using devices appropriately and redistributing the workload. The following techniques do not impact performance and may provide additional power conservation:

- Read ahead from CD/DVD data and cache it in memory or hard disk to allow the DVD drive to stop spinning.
- Switch off unused devices.
- When developing a network-intensive application, take advantage of opportunities to conserve power. For example, switch to LAN from WLAN whenever both are connected.
- Send data over WLAN in large chunks to allow the WiFi card to enter low power mode in between consecutive packets. The saving is based on the fact that after every send/receive operation, WiFi remains in high power mode for up to seconds, depending on the power saving mode. (Although the purpose keeping the WiFi in high power mode is to enable a quick wake up).
- Avoid frequent disk access. Each disk access forces the device to spin up and stay in high power mode for some period after the last access. Buffer small disk reads and writes to RAM to consolidate disk operations over time. Use the `GetDevicePowerState()` Windows API to test disk state and delay the disk access if it is not spinning.

10.4.4 Handling Sleep State Transitions

In some cases, transitioning to a sleep state may harm an application. For example, suppose an application is in the middle of using a file on the network when the system enters suspend mode. Upon resuming, the network connection may not be available and information could be lost.

An application may improve its behavior in such situations by becoming aware of sleep state transitions. It can do this by using the WM_POWERBROADCAST message. This message contains all the necessary information for an application to react appropriately.

Here are some examples of an application reaction to sleep mode transitions:

- Saving state/data prior to the sleep transition and restoring state/data after the wake up transition.
- Closing all open system resource handles such as files and I/O devices (this should include duplicated handles).
- Disconnecting all communication links prior to the sleep transition and re-establishing all communication links upon waking up.
- Synchronizing all remote activity, such as like writing back to remote files or to remote databases, upon waking up.
- Stopping any ongoing user activity, such as streaming video, or a file download, prior to the sleep transition and resuming the user activity after the wake up transition.

Recommendation: *Appropriately handling the suspend event enables more robust, better performing applications.*

10.4.5 Using Enhanced Intel SpeedStep® Technology

Use Enhanced Intel SpeedStep Technology to adjust the processor to operate at a lower frequency and save energy. The basic idea is to divide computations into smaller pieces and use OS power management policy to effect a transition to higher P-states.

Typically, an OS uses a time constant on the order of 10s to 100s of milliseconds⁶ to detect demand on processor workload. For example, consider an application that requires only 50% of processor resources to reach a required quality of service (QOS). The scheduling of tasks occurs in such a way that the processor needs to stay in P0 state (highest frequency to deliver highest performance) for 0.5 seconds and may then go to sleep for 0.5 seconds. The demand pattern then alternates.

Thus the processor demand switches between 0 and 100% every 0.5 seconds, resulting in an average of 50% of processor resources. As a result, the frequency switches accordingly between the highest and lowest frequency. The power consumption also switches in the same manner, resulting in an average power usage represented by the equation $P_{average} = (P_{max} + P_{min})/2$.

Figure 10-4 illustrates the chronological profiles of coarse-grain (> 300 ms) task scheduling and its effect on operating frequency and power consumption.

6. The actual number may vary by OS and by OS release.

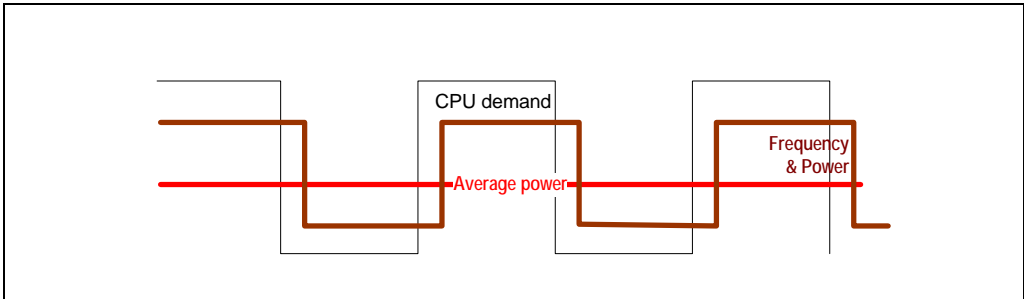


Figure 10-4. Profiles of Coarse Task Scheduling and Power Consumption

The same application can be written in such a way that work units are divided into smaller granularity, but scheduling of each work unit and Sleep() occurring at more frequent intervals (e.g. 100 ms) to deliver the same QOS (operating at full performance 50% of the time). In this scenario, the OS observes that the workload does not require full performance for each 300 ms sampling. Its power management policy may then commence to lower the processor's frequency and voltage while maintaining the level of QOS.

The relationship between active power consumption, frequency and voltage is expressed by the equation:

$$Power = \alpha * C * V^2 * F$$

In the equation: 'V' is core voltage, 'F' is operating frequency, and 'α' is the activity factor. Typically, the quality of service for 100% performance at 50% duty cycle can be met by 50% performance at 100% duty cycle. Because the slope of frequency scaling efficiency of most workloads will be less than one, reducing the core frequency to 50% can achieve more than 50% of the original performance level. At the same time, reducing the core frequency to 50% allows for a significant reduction of the core voltage.

Because executing instructions at higher P-state (lower power state) takes less energy per instruction than at P0 state, Energy savings relative to the half of the duty cycle in P0 state ($P_{max} / 2$) more than compensate for the increase of the half of the duty cycle relative to inactive power consumption ($P_{min} / 2$). The non-linear relationship between power consumption to frequency and voltage means that changing the task unit to finer granularity will deliver substantial energy savings. This optimization is possible when processor demand is low (such as with media streaming, playing a DVD, or running less resource intensive applications like a word processor, email or web browsing).

An additional positive effect of continuously operating at a lower frequency is that frequent changes in power draw (from low to high in our case) and battery current eventually harm the battery. They accelerate its deterioration.

When the lowest possible operating point (highest P-state) is reached, there is no need for dividing computations. Instead, use longer idle periods to allow the processor to enter a deeper low power mode.

10.4.6 Enabling Intel® Enhanced Deeper Sleep

In typical mobile computing usages, the processor is idle most of the time. Conserving battery life must address reducing static power consumption.

Typical OS power management policy periodically evaluates opportunities to reduce static power consumption by moving to lower-power C-states. Generally, the longer a processor stays idle, OS power management policy directs the processor into deeper low-power C-states.

After an application reaches the lowest possible P-state, it should consolidate computations in larger chunks to enable the processor to enter deeper C-States between computations. This technique utilizes the fact that the decision to change frequency is made based on a larger window of time than the period to decide to enter deep sleep. If the processor is to enter a processor-specific C4 state to take advantage of aggressive static power reduction features, the decision should be based on:

- Whether the QOS can be maintained in spite of the fact that the processor will be in a low-power, long-exit-latency state for a long period.
- Whether the interval in which the processor stays in C4 is long enough to amortize the longer exit latency of this low-power C state.

Eventually, if the interval is large enough, the processor will be able to enter deeper sleep and save a considerable amount of power. The following guidelines can help applications take advantage of Intel® Enhanced Deeper Sleep:

- Avoid setting higher interrupt rates. Shorter periods between interrupts may keep Oses from entering lower power states. This is because transition to/from a deep C-state consumes power, in addition to a latency penalty. In some cases, the overhead may outweigh power savings.
- Avoid polling hardware. In a ACPI C3 type state, the processor may stop snooping and each bus activity (including DMA and bus mastering) requires moving the processor to a lower-numbered C-state type. The lower-numbered state type is usually C2, but may even be C0. The situation is significantly improved in the Intel Core Solo processor (compared to previous generations of the Pentium M processors), but polling will likely prevent the processor from entering into highest-numbered, processor-specific C-state.

10.4.7 Multicore Considerations

Multicore processors deserves some special considerations when planning power savings. The dual-core architecture in Intel Core Duo processor and mobile processors based on Intel Core microarchitecture provide additional potential for power savings for multi-threaded applications.

10.4.7.1 Enhanced Intel SpeedStep® Technology

Using domain-composition, a single-threaded application can be transformed to take advantage of multicore processors. A transformation into two domain threads means that each thread will execute roughly half of the original number of instructions. Dual core architecture enables running two threads simultaneously, each thread using dedicated resources in the processor core. In an application that is targeted for the mobile usages, this instruction count reduction for each thread enables the physical processor to operate at lower frequency relative to a single-threaded version. This in turn enables the processor to operate at a lower voltage, saving battery life.

Note that the OS views each logical processor or core in a physical processor as a separate entity and computes CPU utilization independently for each logical processor or core. On demand, the OS will choose to run at the highest frequency available in a physical package. As a result, a physical processor with two cores will often work at a higher frequency than it needs to satisfy the target QOS.

For example if one thread requires 60% of single-threaded execution cycles and the other thread requires 40% of the cycles, the OS power management may direct the physical processor to run at 60% of its maximum frequency.

However, it may be possible to divide work equally between threads so that each of them require 50% of execution cycles. As a result, both cores should be able to operate at 50% of the maximum frequency (as opposed to 60%). This will allow the physical processor to work at a lower voltage, saving power.

So, while planning and tuning your application, make threads as symmetric as possible in order to operate at the lowest possible frequency-voltage point.

10.4.7.2 Thread Migration Considerations

Interaction of OS scheduling and multicore unaware power management policy may create some situations of performance anomaly for multi-threaded applications. The problem can arise for multithreading application that allow threads to migrate freely.

When one full-speed thread is migrated from one core to another core that has idled for a period of time, an OS without a multicore-aware P-state coordination policy may mistakenly decide that each core demands only 50% of processor resources (based on idle history). The processor frequency may be reduced by such multicore unaware P-state coordination, resulting in a performance anomaly. See Figure 10-5.

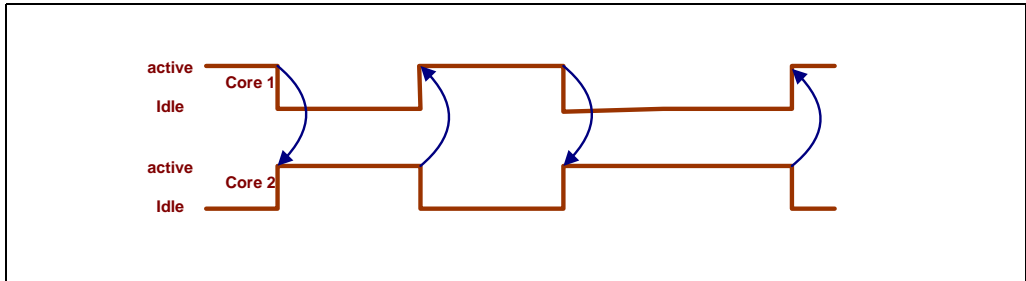


Figure 10-5. Thread Migration in a Multicore Processor

Software applications have a couple of choices to prevent this from happening:

- **Thread affinity management** — A multi-threaded application can enumerate processor topology and assign processor affinity to application threads to prevent thread migration. This can work around the issue of OS lacking multicore aware P-state coordination policy.
- **Upgrade to an OS with multicore aware P-state coordination policy** — Some newer OS releases may include multicore aware P-state coordination policy. The reader should consult with specific OS vendors.

10.4.7.3 Multicore Considerations for C-States

There are two issues that impact C-states on multicore processors.

Multicore-unaware C-state Coordination May Not Fully Realize Power Savings

When each core in a multicore processor meets the requirements necessary to enter a different C-state type, multicore-unaware hardware coordination causes the physical processor to enter the lowest possible C-state type (lower-numbered C state has less power saving). For example, if Core 1 meets the requirement to be in ACPI C1 and Core 2 meets requirement for ACPI C3, multicore-unaware OS coordination takes the physical processor to ACPI C1. See Figure 10-6.

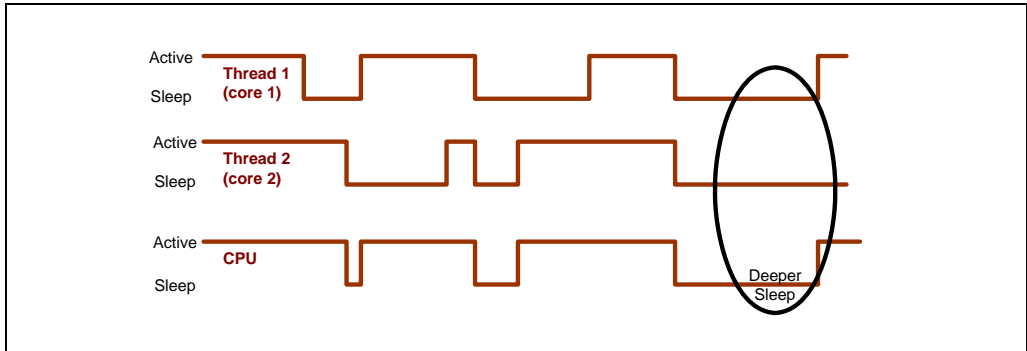


Figure 10-6. Progression to Deeper Sleep

Enabling Both Cores to Take Advantage of Intel Enhanced Deeper Sleep.

To best utilize processor-specific C-state (e.g., Intel Enhanced Deeper Sleep) to conserve battery life in multithreaded applications, a multi-threaded applications should synchronize threads to work simultaneously and sleep simultaneously using OS synchronization primitives. By keeping the package in a fully idle state longer (satisfying ACPI C3 requirement), the physical processor can transparently take advantage of processor-specific Deep C4 state if it is available.

Multi-threaded applications need to identify and correct load-imbalances of its threaded execution before implementing coordinated thread synchronization. Identifying thread imbalance can be accomplished using performance monitoring events. Intel Core Duo processor provides an event for this purpose. The event (Serial_Execution_Cycle) increments under the following conditions:

- Core actively executing code in C0 state
- Second core in physical processor in idle state (C1-C4)

This event enables software developers to find code that is executing serially, by comparing Serial_Execution_Cycle and Unhalted_Ref_Cycles. Changing sections of serialized code to execute into two parallel threads enables coordinated thread synchronization to achieve better power savings.

Although Serial_Execution_Cycle is available only on Intel Core Duo processors, application thread with load-imbalance situations usually remains the same for symmetric application threads and on symmetrically configured multicore processors, irrespective of differences in their underlying microarchitecture. For this reason, the technique to identify load-imbalance situations can be applied to multi-threaded applications in general, and not specific to Intel Core Duo processors.

APPENDIX A

APPLICATION PERFORMANCE TOOLS

Intel offers an array of application performance tools that are optimized to take advantage of the Intel architecture (IA)-based processors. This appendix introduces these tools and explains their capabilities for developing the most efficient programs without having to write assembly code.

The following performance tools are available:

- **Intel® C++ Compiler and Intel® Fortran Compiler** — Intel compilers generate highly optimized executable code for Intel 64 and IA-32 processors. The compilers support advanced optimizations that include vectorization for MMX technology, the Streaming SIMD Extensions (SSE), Streaming SIMD Extensions 2 (SSE2), Streaming SIMD Extensions 3 (SSE3), and Supplemental Streaming SIMD Extensions 3 (SSSE3).
- **VTune Performance Analyzer** — The VTune analyzer collects, analyzes, and displays Intel architecture-specific software performance data from the system-wide view down to a specific line of code.
- **Intel Performance Libraries** — The Intel Performance Library family consists of a set of software libraries optimized for Intel architecture processors. The library family includes the following:
 - Intel® Math Kernel Library (Intel® MKL)
 - Intel® Integrated Performance Primitives (Intel® IPP)
- **Intel Threading Tools** — Intel Threading Tools consist of the following:
 - Intel Thread Checker
 - Thread Profiler

A.1 COMPILERS

Intel compilers support several general optimization settings, including `/O1`, `/O2`, `/O3`, and `/fast`. Each of them enables a number of specific optimization options. In most cases, `/O2` is recommended over `/O1` because the `/O2` option enables function expansion, which helps programs that have many calls to small functions. The `/O1` may sometimes be preferred when code size is a concern. The `/O2` option is on by default.

The `/Od` (`-O0` on Linux) option disables all optimizations. The `/O3` option enables more aggressive optimizations, most of which are effective only in conjunction with processor-specific optimizations described below.

The `/fast` option maximizes speed across the entire program. For most Intel 64 and IA-32 processors, the `/fast` option is equivalent to `/O3 /Qipo /QxP` (`-O3 -ipo -static -xP` on Linux). For Mac OS, the `-fast` option is equivalent to `-O3 -ipo`.

All the command-line options are described in Intel[®] C++ Compiler documentation.

A.1.1 Recommended Optimization Settings for Intel 64 and IA-32 Processors

64-bit addressable code can only run in 64-bit mode of processors that support Intel 64 architecture. The optimal compiler settings for 64-bit code generation is different from 32-bit code generation. Table A-1 lists recommended compiler options for generating 32-bit code for Intel 64 and IA-32 processors. Table A-1 also applies to code targeted to run in compatibility mode on an Intel 64 processor, but does not apply to running in 64-bit mode. Table A-2 lists recommended compiler options for generating 64-bit code for Intel 64 processors, it only applies to code target to run in 64-bit mode. Intel compilers provide separate compiler binary to generate 64-bit code versus 32-bit code. The 64-bit compiler binary generates only 64-bit addressable code.

Table A-1. Recommended IA-32 Processor Optimization Options

Need	Recommendation	Comments
Best performance on Intel Core 2 processor family and Intel Xeon processor 3000 and 5100 series, utilizing SSE3 and other processor-specific instructions	<ul style="list-style-type: none"> <code>/QxT</code> (<code>-xT</code> on Linux) 	<ul style="list-style-type: none"> Single code path Will not run on earlier processors that do not support SSE3
Best performance on Intel Core 2 processor family and Intel Xeon processor 3000 and 5100 series, utilizing SSE3; runs on non-Intel processor supporting SSE2	<ul style="list-style-type: none"> <code>/QaxT /QxW</code> (<code>-axT -xW</code> on Linux) 	<ul style="list-style-type: none"> Multiple code path are generated Be sure to validate your application on all systems where it may be deployed.
Best performance on IA-32 processors with SSE3 instruction support	<code>/QxP</code> (<code>-xP</code> on Linux)	<ul style="list-style-type: none"> Single code path Will not run on earlier processors.that do not support SSE3

Table A-1. Recommended IA-32 Processor Optimization Options

Need	Recommendation	Comments
Best performance on IA-32 processors with SSE2 instruction support	/QaxN (-axN on Linux) Optimized for Pentium 4 and Pentium M processors, and an optimized, generic code-path to run on other processors	<ul style="list-style-type: none"> Multiple code paths are generated. Use /QxN (-xN for Linux) if you know your application will not be run on processors older than the Pentium 4 or Pentium M processors.
Best performance on IA-32 processors with SSE3 instruction support for multiple code paths	<ul style="list-style-type: none"> /QaxP /QxW (-axP -xW on Linux) Optimized for Pentium 4 processor and Pentium 4 processor with SSE3 instruction support 	Generates two code paths: <ul style="list-style-type: none"> one for the Pentium 4 processor one for the Pentium 4 processor or non-Intel processors with SSE3 instruction support.

Table A-2. Recommended Processor Optimization Options for 64-bit Code

Need	Recommendation	Comments
Best performance on Intel Core 2 processor family and Intel Xeon processor 3000 and 5100 series, utilizing SSSE3 and other processor-specific instructions	<ul style="list-style-type: none"> /QxT (-xT on Linux) 	<ul style="list-style-type: none"> Single code path Will not run on earlier processors that do not support SSSE3
Best performance on Intel Core 2 processor family and Intel Xeon processor 3000 and 5100 series, utilizing SSSE3; runs on non-Intel processor supporting SSE2	<ul style="list-style-type: none"> /QaxT /QxW (-axT -xW on Linux) 	<ul style="list-style-type: none"> Multiple code path are generated Be sure to validate your application on all systems where it may be deployed.
Best performance on other processors supporting Intel 64 architecture, utilizing SSE3 where possible	<ul style="list-style-type: none"> /QxP (-xP on Linux) 	<ul style="list-style-type: none"> Single code path are generated Will not run on processors that do not support Intel 64 architecture and SSE3.

Table A-2. Recommended Processor Optimization Options for 64-bit Code (Contd.)

Need	Recommendation	Comments
Best performance on other processors supporting Intel 64 architecture, utilizing SSE3 where possible, while still running on older Intel as well as non-Intel x86-64 processors supporting SSE2	<ul style="list-style-type: none"> /QaxP/QxW (-axP -xW on Linux) 	<ul style="list-style-type: none"> Multiple code path are generated Be sure to validate your application on all systems where it may be deployed.

A.1.2 Vectorization and Loop Optimization

The Intel C++ and Fortran Compiler's vectorization feature can detect sequential data access by the same instruction and transforms the code to use SSE, SSE2, SSE3, and SSSE3, depending on the target processor platform. The vectorizer supports the following features:

- Multiple data types: Float/double, char/short/int/long (both signed and unsigned), _Complex float/double are supported.
- Step by step diagnostics: Through the /Qvec-report[n] (-vec-report[n] on Linux and Mac OS) switch (see Table A-3), the vectorizer can identify, line-by-line and variable-by-variable, what code was vectorized, what code was not vectorized, and more importantly, why it was not vectorized. This feedback gives the developer the information necessary to slightly adjust or restructure code, with dependency directives and restrict keywords, to allow vectorization to occur.
- Advanced dynamic data-alignment strategies: Alignment strategies include loop peeling and loop unrolling. Loop peeling can generate aligned loads, enabling faster application performance. Loop unrolling matches the prefetch of a full cache line and allows better scheduling.
- Portable code: By using appropriate Intel compiler switches to take advantage new processor features, developers can avoid the need to rewrite source code.

The processor-specific vectorizer switch options are: -Qx[K,W,N,P,T] and -Qax[K,W,N,P,T]. The compiler provides a number of other vectorizer switch options that allow you to control vectorization. The latter switches require the -Qx[,K,W,N,P,T] or -Qax[K,W,N,P,T] switch to be on. The default is off.

Table A-3. Vectorization Control Switch Options

-Qvec_report[n]	Controls the vectorizer's diagnostic levels, where n is either 0, 1, 2, or 3.
-Qrestrict	Enables pointer disambiguation with the restrict qualifier.

A.1.2.1 Multithreading with OpenMP*

Both the Intel C++ and Fortran Compilers support shared memory parallelism using OpenMP compiler directives, library functions and environment variables. OpenMP directives are activated by the compiler switch `/Openmp` (`-openmp` on Linux and Mac OS). The available directives are described in the Compiler User's Guides available with the Intel C++ and Fortran Compilers. For information about the OpenMP standard, see <http://www.openmp.org>.

A.1.2.2 Automatic Multithreading

Both the Intel C++ and Fortran Compilers can generate multithreaded code automatically for simple loops with no dependencies. This is activated by the compiler switch `/Qparallel` (`-parallel` in Linux and Mac OS).

A.1.3 Inline Expansion of Library Functions (`/Oi`, `/Oi-`)

The compiler inlines a number of standard C, C++, and math library functions by default. This usually results in faster execution. Sometimes, however, inline expansion of library functions can cause unexpected results. For explanation, see the Intel C++ Compiler documentation.

A.1.4 Floating-point Arithmetic Precision (`/Op`, `/Op-`, `/Qprec`, `/Qprec_div`, `/Qpc`, `/Qlong_double`)

These options provide a means of controlling optimization that might result in a small change in the precision of floating-point arithmetic.

A.1.5 Rounding Control Option (`/Qrcr`, `/Qrcd`)

The compiler uses the `-Qrcd` option to improve the performance of code that requires floating-point calculations. The optimization is obtained by controlling the change of the rounding mode.

The `-Qrcd` option disables the change to truncation of the rounding mode in floating-point-to-integer conversions.

For more on code optimization options, see the Intel C++ Compiler documentation.

A.1.6 Interprocedural and Profile-Guided Optimizations

The following are two methods to improve the performance of your code based on its unique profile and procedural dependencies.

A.1.6.1 Interprocedural Optimization (IPO)

You can use the `/Qip` (`-ip` in Linux and Mac OS) option to analyze your code and apply optimizations between procedures within each source file. Use multifile IPO with `/Qipo` (`-ipo` in Linux and Mac OS) to enable the optimizations between procedures in separate source files.

A.1.6.2 Profile-Guided Optimization (PGO)

Creates an instrumented program from your source code and special code from the compiler. Each time this instrumented code is executed, the compiler generates a dynamic information file. When you compile a second time, the dynamic information files are merged into a summary file. Using the profile information in this file, the compiler attempts to optimize the execution of the most heavily travelled paths in the program.

Profile-guided optimization is particularly beneficial for the Pentium 4 and Intel Xeon processor family. It greatly enhances the optimization decisions the compiler makes regarding instruction cache utilization and memory paging. Also, because PGO uses execution-time information to guide the optimizations, branch-prediction can be significantly enhanced by reordering branches and basic blocks to keep the most commonly used paths in the microarchitecture pipeline, as well as generating the appropriate branch-hints for the processor.

When you use PGO, consider the following guidelines:

- Minimize the changes to your program after instrumented execution and before feedback compilation. During feedback compilation, the compiler ignores dynamic information for functions modified after that information was generated.

NOTE

The compiler issues a warning that the dynamic information corresponds to a modified function.

- Repeat the instrumentation compilation if you make many changes to your source files after execution and before feedback compilation.

For more on code optimization options, see the Intel C++ Compiler documentation.

A.1.7 Auto-Generation of Vectorized Code

This section covers several high-level language examples that programmers can use Intel Compiler to generate vectorized code automatically.

Example 10-1. Storing Absolute Values

```
int dst[1024], src[1024]
for (i = 0; i < 1024; i++) {
    dst[i] = (src[i] >= 0) ? src[i] : -src[i];
}
```

The following examples are illustrative of the likely differences of two compiler switches.

Example 10-2. Auto-Generated Code of Storing Absolutes

Compiler Switch QxW	Compiler Switch QxT
<pre>movdqa xmm1, _src[eax*4] pxor xmm0, xmm0 pcmpgtd xmm0, xmm1 pxor xmm1, xmm0 psubd xmm1, xmm0 movdqa _dst[eax*4], xmm1 add eax, 4 cmp eax, 1024 jb \$B1\$3</pre>	<pre>pabsd xmm0, _src[eax*4] movdqa _dst[eax*4], xmm0 add eax, 4 cmp eax, 1024 jb \$B1\$3</pre>

Example 10-3. Changes Signs

```
int dst[NUM], src[1024];
for (i = 0; i < 1024; i++) {
    if (src[i] == 0)
        { dst[i] = 0; }
    else if (src[i] < 0)
        { dst[i] = -dst[i]; }
}
```

Example 10-4. Auto-Generated Code of Sign Conversion

Compiler Switch QxW	Compiler Switch QxT
<pre> \$B1\$3: mov edx, _src[eax*4] add eax, 1 test edx, edx jne \$B1\$5 \$B1\$4: mov _dst[eax*4], 0 jmp \$B1\$7 ALIGN 4 \$B1\$5: jge \$B1\$7 \$B1\$6: mov edx, _dst[eax*4] neg edx mov _dst[eax*4], edx \$B1\$7: cmp eax, 1024 jl \$B1\$3 </pre>	<pre> \$B1\$3: movdqa xmm0, _dst[eax*4] psignd xmm0, _src[eax*4] movdqa _dst[eax*4], xmm0 add eax, 4 cmp eax, 1024 jb \$B1\$3 </pre>

Example 10-5. Data Conversion

<pre> int dst[1024]; unsigned char src[1024]; for (i = 0; i < 1024; i++) { dst[i] = src[i] } </pre>
--

Example 10-6. Auto-Generated Code of Data Conversion

Compiler Switch Qxw	Compiler Switch QxT
<pre> \$B1\$2: xor eax, eax pxor xmm0, xmm0 \$B1\$3: movd xmm1, _src[eax] punpcklbw xmm1, xmm0 punpcklwd xmm1, xmm0 movdqa _dst[eax*4], xmm1 add eax, 4 cmp eax, 1024 jb \$B1\$3 </pre>	<pre> \$B1\$2: movdqa xmm0, _2il0fl2t\$1DD xor eax, eax \$B1\$3: movd xmm1, _src[eax] pshufb xmm1, xmm0 movdqa _dst[eax*4], xmm1 add eax, 4 cmp eax, 1024 jb \$B1\$3 ... _2il0fl2t\$1DD 0ffffff00H,0ffffff01H,0ffffff02H,0ffffff03H </pre>

Example 10-7. Un-aligned Data Operation

<pre> __declspec(align(16)) float src[1024], dst[1024]; for(i = 2; i < 1024-2; i++) dst[i] = src[i-2] - src[i-1] - src[i+2]; </pre>

Intel Compiler can use PALIGNR to generate code to avoid penalties associated with unaligned loads.

Example 10-8. Auto-Generated Code to Avoid Unaligned Loads

Compiler Switch Qxw	Compiler Switch QxT
<pre> \$B2\$2 movups xmm0, _src[eax+4] movaps xmm1, _src[eax] movaps xmm4, _src[eax+16] movsd xmm3, _src[eax+20] subps xmm1, xmm0 subps xmm1, _src[eax+16] movss xmm2, _src[eax+28] movhps xmm2, _src[eax+32] movups _dst[eax+8], xmm1 shufps xmm3, xmm2, 132 subps xmm4, xmm3 subps xmm4, _src[eax+32] movlps _dst[eax+24], xmm4 movhps _dst[eax+32], xmm4 add eax, 32 cmp eax, 4064 jb \$B2\$2 </pre>	<pre> \$B2\$2: movaps xmm2, _src[eax+16] movaps xmm0, _src[eax] movdqa xmm3, _src[eax+32] movdqa xmm1, xmm2 palignr xmm3, xmm2, 4 palignr xmm1, xmm0, 4 subps xmm0, xmm1 subps xmm0, _src[eax+16] movups _dst[eax+8], xmm0 subps xmm2, xmm3 subps xmm2, _src[eax+32] movlps _dst[eax+24], xmm2 movhps _dst[eax+32], xmm2 add eax, 32 cmp eax, 4064 jb \$B2\$2 </pre>

A.2 INTEL® VTUNE™ PERFORMANCE ANALYZER

The Intel VTune Performance Analyzer is a powerful software-profiling tool for Microsoft Windows and Linux. The VTune analyzer helps you understand the performance characteristics of your software at all levels: system, application, microarchitecture.

The sections that follow describe the major features of the VTune analyzer and briefly explain how to use them. For more details on these features, run the VTune analyzer and see the online documentation.

All features are available for Microsoft Windows. On Linux, sampling and call graph are available.

A.2.1 Sampling

Sampling allows you to profile all active software on your system, including operating system, device driver, and application software. It works by occasionally interrupting the processor and collecting the instruction address, process ID, and thread ID. After the sampling activity completes, the VTune analyzer displays the data by process, thread, software module, function, or line of source. There are two methods for generating samples: Time-based sampling and Event-based sampling.

A.2.1.1 Time-based Sampling

Time-based sampling (TBS) uses an operating system's (OS) timer to periodically interrupt the processor to collect samples. The sampling interval is user definable. TBS is useful for identifying the software on your computer that is taking the most CPU time. This feature is only available in the Windows version of the VTune Analyzer.

A.2.1.2 Event-based Sampling

Event-based sampling (EBS) can be used to provide detailed information on the behavior of the microprocessor as it executes software. Some of the events that can be used to trigger sampling include clockticks, cache misses, and branch mispredictions. The VTune analyzer indicates where micro architectural events, specific to the Intel Core microarchitecture, Pentium 4, Pentium M and Intel Xeon processors, occur the most often. On processors based on Intel Core microarchitecture, it is possible to collect up to 5 events (three events using fixed-function counters, two events using general-purpose counters) at a time from a list of over 400 events (see Appendix A, "Performance Monitoring Events" of *Intel® 64 and IA-32 Architectures Software Developer's Manual, Volume 3B*). On Pentium M processors, the VTune analyzer can collect two different events at a time. The number of the events that the VTune analyzer can collect at once on the Pentium 4 and Intel Xeon processor depends on the events selected.

Event-based samples are collected periodically after a specific number of processor events have occurred while the program is running. The program is interrupted, allowing the interrupt handling driver to collect the Instruction Pointer (IP), load module, thread and process ID's. The instruction pointer is then used to derive the function and source line number from the debug information created at compile time. The Data can be displayed as horizontal bar charts or in more detail as spread sheets that can be exported for further manipulation and easy dissemination.

A.2.1.3 Workload Characterization

Using event-based sampling and processor-specific events can provide useful insights into the nature of the interaction between a workload and the microarchitecture. A few metrics useful for workload characterization are discussed in Appendix B. The event lists available on various Intel processors can be found in Appendix A, "Performance Monitoring Events" of *Intel® 64 and IA-32 Architectures Software Developer's Manual, Volume 3B*.

A.2.2 Call Graph

Call graph helps you understand the relationships between the functions in your application by providing timing and caller/callee (functions called) information. Call graph works by instrumenting the functions in your application. Instrumentation is the process of modifying a function so that performance data can be captured when the function is executed. Instrumentation does not change the functionality of the

program. However, it can reduce performance. The VTune analyzer can detect modules as they are loaded by the operating system, and instrument them at run-time. Call graph can be used to profile Win32*, Java*, and Microsoft.NET* applications. Call graph only works for application (ring 3) software.

Call graph profiling provides the following information on the functions called by your application: total time, self-time, total wait time, wait time, callers, callees, and the number of calls. This data is displayed using three different views: function summary, call graph, and call list. These views are all synchronized.

The Function Summary View can be used to focus the data displayed in the call graph and call list views. This view displays all the information about the functions called by your application in a sortable table format. However, it does not provide callee and caller information. It just provides timing information and number of times a function is called.

The Call Graph View depicts the caller/callee relationships. Each thread in the application is the root of a call tree. Each node (box) in the call tree represents a function. Each edge (line with an arrow) connecting two nodes represents the call from the parent to the child function. If the mouse pointer is hovered over a node, a tool tip will pop up displaying the function's timing information.

The Call List View is useful for analyzing programs with large, complex call trees. This view displays only the caller and callee information for the single function that you select in the Function Summary View. The data is displayed in a table format.

A.2.3 Counter Monitor

Counter monitor helps you identify system level performance bottlenecks. It periodically polls software and hardware performance counters. The performance counter data can help you understand how your application is impacting the performance of the computer's various subsystems. Counter monitor data can be displayed in real-time and logged to a file. The VTune analyzer can also correlate performance counter data with sampling data. This feature is only available in the Windows version of the VTune Analyzer

A.3 INTEL® PERFORMANCE LIBRARIES

The Intel Performance Library family contains a variety of specialized libraries which has been optimized for performance on Intel processors. These optimizations take advantage of appropriate architectural features, including MMX technology, Streaming SIMD Extensions (SSE), Streaming SIMD Extensions 2 (SSE2) and Streaming SIMD Extensions 3 (SSE3). The library set includes the Intel Math Kernel Library (MKL) and the Intel Integrated Performance Primitives (IPP).

- The Intel Math Kernel Library for Linux and Windows: MKL is composed of highly optimized mathematical functions for engineering, scientific and financial applications requiring high performance on Intel platforms. The functional areas of the

library include linear algebra consisting of LAPACK and BLAS, Discrete Fourier Transforms (DFT), vector transcendental functions (vector math library/VML) and vector statistical functions (VSL). Intel MKL is optimized for the latest features and capabilities of the Intel Pentium 4 processor, Pentium M processor, Intel Xeon processors and Intel® Itanium® 2 processors.

- Intel® Integrated Performance Primitives for Linux* and Windows*: IPP is a cross-platform software library which provides a range of library functions for video decode/encode, audio decode/encode, image color conversion, computer vision, data compression, string processing, signal processing, image processing, JPEG decode/encode, speech recognition, speech decode/encode, cryptography plus math support routines for such processing capabilities.

Intel IPP is optimized for the broad range of Intel microprocessors: Intel Core 2 processor family, Dual-core Intel Xeon processors, Intel Pentium 4 processor, Pentium M processor, Intel Xeon processors, the Intel Itanium architecture, Intel® SA-1110 and Intel® PCA application processors based on the Intel XScale® microarchitecture. With a single API across the range of platforms, the users can have platform compatibility and reduced cost of development.

A.3.1 Benefits Summary

The overall benefits the libraries provide to the application developers are as follows:

- **Time-to-Market** — Low-level building block functions that support rapid application development, improving time to market.
- **Performance** — Highly-optimized routines with a C interface that give Assembly-level performance in a C/C++ development environment (MKL also supports a Fortran interface).
- **Platform tuned** — Processor-specific optimizations that yield the best performance for each Intel processor.
- **Compatibility** — Processor-specific optimizations with a single application programming interface (API) to reduce development costs while providing optimum performance.
- **Threaded application support** — Applications can be threaded with the assurance that the MKL and IPP functions are safe for use in a threaded environment.

A.3.2 Optimizations with the Intel® Performance Libraries

The Intel Performance Libraries implement a number of optimizations that are discussed throughout this manual. Examples include architecture-specific tuning such as loop unrolling, instruction pairing and scheduling; and memory management with explicit and implicit data prefetching and cache tuning.

The Libraries take advantage of the parallelism in the SIMD instructions using MMX technology, Streaming SIMD Extensions (SSE), Streaming SIMD Extensions 2 (SSE2), and Streaming SIMD Extensions 3 (SSE3). These techniques improve the performance of computationally intensive algorithms and deliver hand coded performance in a high level language development environment.

For performance sensitive applications, the Intel Performance Libraries free the application developer from the time consuming task of assembly-level programming for a multitude of frequently used functions. The time required for prototyping and implementing new application features is substantially reduced and most important, the time to market is substantially improved. Finally, applications developed with the Intel Performance Libraries benefit from new architectural features of future generations of Intel processors simply by relinking the application with upgraded versions of the libraries.

A.4 INTEL® THREADING ANALYSIS TOOLS

The Intel® Threading Analysis Tools consist of the Intel Thread Checker 3.0, the Thread Profiler 3.0, and the Intel Threading Building Blocks 1.0 (1). The Intel Thread Checker and Thread Profiler supports Windows and Linux. The Intel Threading Building Blocks 1.0 supports Windows, Linux, and Mac OS.

A.4.1 Intel® Thread Checker 3.0

The Intel Thread Checker locates programming errors (for example: data races, stalls and deadlocks) in threaded applications. Use the Intel Thread Checker to find threading errors and reduce the amount of time you spend debugging your threaded application.

The Intel Thread Checker product is an Intel VTune Performance Analyzer plug-in data collector that executes your program and automatically locates threading errors. As your program runs, the Intel Thread Checker monitors memory accesses and other events and automatically detects situations which could cause unpredictable threading-related results. The Intel Thread Checker detects thread deadlocks, stalls, data race conditions and more.

A.4.2 Intel Thread Profiler 3.0

The thread profiler is a plug-in data collector for the Intel VTune Performance Analyzer. Use it to analyze threading performance and identify parallel performance problems. The thread profiler graphically illustrates what each thread is doing at various levels of detail using a hierarchical summary. It can identify inactive threads,

1 For additional threading resources, visit <http://www3.intel.com/cd/software/products/asmo-na/eng/index.htm>

critical paths and imbalances in thread execution, etc. Mountains of data are collapsed into relevant summaries, sorted to identify parallel regions or loops that require attention. Its intuitive, color-coded displays make it easy to assess your application's performance.

Figure A-1 shows the execution timeline of a multi-threaded application when run in (a) a single-threaded environment, (b) a multi-threaded environment capable of executing two threads simultaneously, (c) a multi-threaded environment capable of executing four threads simultaneously. In Figure A-1, the color-coded timeline of three hardware configurations are super-imposed together to compare processor scaling performance and illustrate the imbalance of thread execution.

Load imbalance problem is visually identified in the two-way platform by noting that there is a significant portion of the timeline, during which one logical processor had no task to execute. In the four-way platform, one can easily identify those portions of the timeline of three logical processors, each having no task to execute.

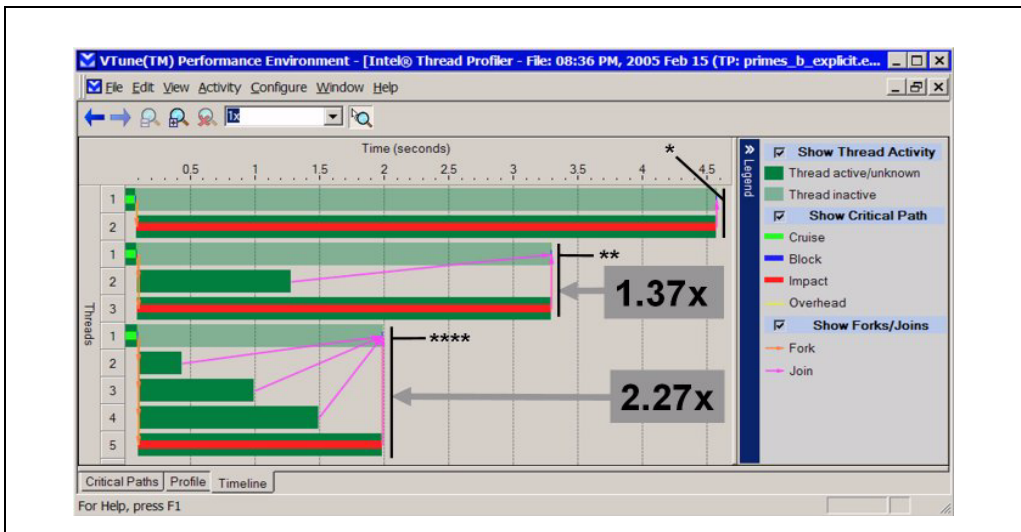


Figure A-1. Intel Thread Profiler Showing Critical Paths of Threaded Execution Timelines

A.4.3 Intel Threading Building Blocks 1.0

The Intel Threading Building Blocks is a C++ template-based runtime library that simplifies threading for scalable, multi-core performance. It can help avoid re-writing, re-testing, re-tuning common parallel data structures and algorithms.

A.5 INTEL® SOFTWARE COLLEGE

You can find information on classroom training offered by the Intel Software College at <http://developer.intel.com/software/college>. Find general information for developers at <http://softwarecommunity.intel.com/isn/home/>.

APPENDIX B

USING PERFORMANCE MONITORING EVENTS

Performance monitoring events provide facilities to characterize the interaction between programmed sequences of instructions and microarchitectural sub-systems. Performance monitoring events are described in Chapter 18 and Appendix A of the *Intel® 64 and IA-32 Architectures Software Developer's Manual, Volume 3B*.

The first part of this chapter provides information on how to use performance events specific to processors based on the Intel NetBurst microarchitecture. Section B.5 discusses similar topics for performance events available on Intel Core Solo and Intel Core Duo processors.

B.1 PENTIUM® 4 PROCESSOR PERFORMANCE METRICS

The descriptions of Intel Pentium 4 processor performance metrics use terminology that is specific to the Intel NetBurst microarchitecture and to implementations in the Pentium 4 and Intel Xeon processors. The performance metrics in Table B-1 through Table B-13 apply to processors with a CPUID signature that matches family encoding 15, mode encoding 0, 1, 2, 3, 4, or 6. Several new performance metrics are available to IA-32 processors with a CPUID signature that matches family encoding 15, mode encoding 3; the new metrics are listed in Table B-11.

The performance metrics listed in Tables B-1 through B-7 may be applicable to processors that support HT Technology. See Appendix B.4, "Using Performance Metrics with Hyper-Threading Technology."

B.1.1 Pentium® 4 Processor-Specific Terminology

B.1.1.1 Bogus, Non-bogus, Retire

Branch mispredictions incur a large penalty on microprocessors with deep pipelines. In general, the direction of branches can be predicted with a high degree of accuracy by the front end of the Intel Pentium 4 processor, such that most computations can be performed along the predicted path while waiting for the resolution of the branch.

In the event of a misprediction, instructions and μ ops that were scheduled to execute along the mispredicted path must be cancelled. These instructions and μ ops are referred to as bogus instructions and bogus μ ops. A number of Pentium 4 processor performance monitoring events, for example, `instruction_retired` and `μ ops_retired`, can count instructions or mops that are retired based on the characterization of bogus versus non-bogus.

USING PERFORMANCE MONITORING EVENTS

In the event descriptions in Table B-1, the term “bogus” refers to instructions or micro-ops that must be cancelled because they are on a path taken from a mispredicted branch. The terms “retired” and “non-bogus” refer to instructions or μ ops along the path that results in committed architectural state changes as required by the program execution. Instructions and μ ops are either bogus or non-bogus, but not both.

B.1.1.2 Bus Ratio

Bus Ratio is the ratio of the processor clock to the bus clock. In the Bus Utilization metric, it is the `bus_ratio`.

B.1.1.3 Replay

In order to maximize performance for the common case, the Intel NetBurst microarchitecture sometimes aggressively schedules μ ops for execution before all the conditions for correct execution are guaranteed to be satisfied. In the event that all of these conditions are not satisfied, μ ops must be re-issued. This mechanism is called replay.

Some occurrences of replays are caused by cache misses, dependence violations (for example, store forwarding problems), and unforeseen resource constraints. In normal operation, some number of replays are common and unavoidable. An excessive number of replays indicate that there is a performance problem.

B.1.1.4 Assist

When the hardware needs the assistance of microcode to deal with some event, the machine takes an assist. One example of such situation is an underflow condition in the input operands of a floating-point operation.

The hardware must internally modify the format of the operands in order to perform the computation. Assists clear the entire machine of μ ops before they begin to accumulate, and are costly. The assist mechanism on the Pentium 4 processor is similar in principle to that on the Pentium II processors, which also have an assist event.

B.1.1.5 Tagging

Tagging is a means of marking μ ops to be counted at retirement. See Appendix A of the *Intel® 64 and IA-32 Architectures Software Developer's Manual, Volume 3B*, for the description of tagging mechanisms.

The same event can happen more than once per μ op. The tagging mechanisms allow a μ op to be tagged once during its lifetime. The retired suffix is used for metrics that increment a count once per μ op, rather than once per event. For example, a μ op may encounter a cache miss more than once during its life time, but the misses retired

metric (for example, 1st-Level Cache Misses Retired) will increment only once for that μop .

B.1.2 Counting Clocks

The count of cycles (known as clock ticks) forms a fundamental basis for measuring how long a program takes to execute. The count is also used as part of efficiency ratios like cycles-per-instruction (CPI). Some processor clocks may stop ticking under certain circumstances:

- The processor is halted (for example: during I/O). There may be nothing for the CPU to do while servicing a disk read request and the processor may halt to save power. When HT Technology is enabled, both logical processors must be halted for performance-monitoring-related counters to be powered down.
- The processor is asleep, either as a result of being halted for a while or as part of a power-management scheme. There are different levels of sleep. In the deeper sleep levels, the time-stamp counter stops counting.

Three mechanisms to count processor clock cycles for monitoring performance are:

- **Non-Halted Clock Ticks** — Clocks when the specified logical processor is not halted nor in any power-saving states. These can be measured on a per-logical-processor basis, when HT Technology is enabled.
- **Non-Sleep Clock Ticks** — Clocks when the physical processor is not in any of the sleep modes, nor power-saving states. These cannot be measured on a per-logical-processor basis.
- **Time-stamp Counter** — Clocks when the physical processor is not in deep sleep. These cannot be measured on a per-logical-processor basis.

The first two metrics use performance counters and can cause an interrupt upon overflow for sampling. They may also be useful for cases where it is easier for a tool to read a performance counter instead of the time-stamp counter. The time-stamp counter is accessed using an RDTSC instruction.

For applications with a significant amount of I/O, there are two ratios of interest:

- **Non-Halted CPI** — Non-halted clock ticks/instructions retired measures the CPI for the phases where the CPU was being used. This ratio can be measured on a per-logical-processor basis, when HT Technology is enabled.
- **Nominal CPI** — Time-stamp counter ticks/instructions retired measures the CPI over the entire duration of the program, including those periods the machine is halted while waiting for I/O.

The distinction between the two CPI is important for processors that support HT Technology. Non-halted CPI should use the “non-halted clock ticks” performance metric in the numerator. Nominal CPI should use “non-sleep clock ticks” in the numerator. “non-sleep clock ticks” is the same as the “clock ticks” metric in previous editions of this manual.

B.1.2.1 Non-Halted Clock Ticks

Non-halted clock ticks can be obtained by programming the appropriate ESCR and CCCR following the recipe listed in the general metrics category in Table B-1. In addition, the TO_OS/TO_USR/T1_OS/T1_USR bits may be specified to qualify a specific logical processor and kernel as opposed to user mode.

B.1.2.2 Non-Sleep Clock Ticks

Performance monitoring counters can be configured to count clocks whenever the performance monitoring hardware is not powered-down. To count “non-sleep clock ticks” with a performance-monitoring counter:

- Select one of the 18 counters.
- Select any of the possible ESCRs whose events the selected counter can count, and set its event select to anything other than no_event. This may not seem necessary, but the counter may be disabled in some cases if this is not done.
- Turn threshold comparison on in the CCCR by setting the compare bit to 1.
- Set the threshold to 15 and the complement to 1 in the CCCR. Since no event can ever exceed this threshold, the threshold condition is met every cycle and the counter counts every cycle. Note that this overrides any qualification (for example: by CPL) specified in the ESCR.
- Enable counting in the CCCR for that counter by setting the enable bit.

The counts produced by the Non-halted and Non-sleep metrics are equivalent in most cases if each physical package supports one logical processor and is not in any power-saving states. The operating system may execute the HLT instruction and place a physical processor in a power-saving state.

On processors that support HT Technology, each physical package can support two or more logical processors. Current implementations of HT Technology provide two logical processors for each physical processor.

While both logical processors can execute two threads simultaneously, one logical processor may be halted to allow the other to execute without having to share execution resources. “Non-halted clock ticks” can be qualified to count the number of clock cycles for a logical processor that is not halted (the count may include the clock cycles required complete a transition into a halted state).

A physical processor that supports HT Technology enters into a power-saving state if all logical processors are halted.

“Non-sleep clock ticks” use is based on the filtering mechanism in the CCCR. The count continues to increment as long as one logical processor is not halted or in a power-saving state. An application may indirectly cause a processor to enter into a power-saving state by using an OS service that transfers control to the OS’s idle loop. The system idle loop may place the processor into a power-saving state after an implementation-dependent period if there is no work to do.

B.1.2.3 Time-Stamp Counter

The time-stamp counter increments whenever the sleep pin is not asserted or when the clock signal on the system bus is active. It is read using the RDTSC instruction. The difference in values between two reads (modulo $2^{**}64$) gives the number of processor clocks between reads.

The time-stamp counter and “Non-sleep clock ticks” counts should agree in practically all cases if the physical processor is not in power-saving states. However, it is possible to have both logical processors in a physical package halted, which results in most of the chip (including the performance monitoring hardware) being powered down. In this situation, it is possible for the time-stamp counter to continue incrementing because the clock signal on the system bus is still active; but “non-sleep clock ticks” may no longer increment because the performance monitoring hardware is in power-saving states.

B.2 METRICS DESCRIPTIONS AND CATEGORIES

Performance metrics for Intel Pentium 4 and Intel Xeon processors are listed in Table B-1 through Table B-7. These performance metrics consist of recipes to program specific Pentium 4 and Intel Xeon processor performance monitoring events to obtain event counts that represent: number of instructions, cycles, or occurrences. The tables also include a ratios that are derived from counts of other performance metrics.

On processors that support HT Technology, performance counters and associated model specific registers (MSRs) are extended to support HT Technology. A subset of performance monitoring events allow the event counts to be qualified by logical processor. The interface for qualification of performance monitoring events by logical processor is documented in *Intel® 64 and IA-32 Architectures Software Developer's Manual, Volumes 3A & 3B*. Other performance monitoring events produce counts that are independent of which logical processor is associated with microarchitectural events. The qualification of the performance metrics support HT Technology is listed in Table B-11 and Table B-12.

In Table B-1 through Table B-7, recipes for programming performance metrics using performance-monitoring events are arranged as follows:

- Column 1 specifies the metric. The metric may be a single-event metric; for example, the metric Instructions Retired is based on the counts of the performance monitoring event `instr_retired`, using a specific set of event mask bits. Or the metric may be an expression built up from other metrics. For example, IPC is derived from two single-event metrics.
- Column 2 provides a description of the metric in column 1. Please refer to Appendix B.1.1, “Pentium® 4 Processor-Specific Terminology,” for terms that are specific to the Pentium 4 processor’s capabilities.
- Column 3 specifies the performance monitoring events or algebraic expressions that form metrics. There are several metrics that require yet another sub-event

USING PERFORMANCE MONITORING EVENTS

in addition to the counting event. The additional sub-event information is included in column 3 as various tags. These are described in Appendix B.3, “Performance Metrics and Tagging Mechanisms.” For event names that appear in this column, refer to the *Intel® 64 and IA-32 Architectures Software Developer’s Manual, Volumes 3A & 3B*.

- Column 4 specifies the event mask bits for setting up count events. The address of various model-specific registers (MSR), the event mask bits in Event Select Control registers (ESCR), and the bit fields in Counter Configuration Control registers (CCCR) are described in the *Intel® 64 and IA-32 Architectures Software Developer’s Manual, Volumes 3A & 3B*.

Metrics listed in Table B-1 through Table B-7 cover the following categories:

- **General** — Operation not specific to any sub-system of the microarchitecture
- **Branching** — Branching activities
- **Trace Cache and Front End** — Front end activities and trace cache operation modes
- **Memory** — Memory operation related to the cache hierarch
- **Bus** — Activities related to Front-Side Bus (FSB)
- **Characterization** — Operations specific to the processor core
- **Machine Clear**

Table B-1. Performance Metrics - General

Metric	Description	Event Name or Metric Expression	Event Mask Value Required
Non-sleep clock ticks	The number of clock ticks while a processor is not in any sleep modes	See explanation on counting clocks in Section B.1.2.	
Non-halted clock ticks	The number of clock ticks that the processor is in not halted nor in sleep	Global_power_events	RUNNING

Table B-1. Performance Metrics - General (Contd.)

Metric	Description	Event Name or Metric Expression	Event Mask Value Required
Instructions Retired	<p>Non-bogus instructions executed to completion</p> <p>May count more than once for some instructions with complex μop flow or if instructions were interrupted before retirement. The count may vary depending on the microarchitectural states when counting begins.</p>	Instr_retired	NBOGUSNTAG NBOGUSTAG
Non-Sleep CPI	Cycles per instruction for a physical processor package	(Non-Sleep Clock Ticks) / (Instructions Retired)	
Non-Halted CPI	Cycles per instruction for a logical processor	(Non-Halted Clock Ticks) / (Instructions Retired)	
μ ops Retired	Non-bogus μ ops executed to completion	μ ops_retired	NBOGUS
UPC	μ op per cycle for a logical processor	μ ops Retired/ Non-Halted Clock Ticks	
Speculative μ ops Retired	<p>Number of μops retired</p> <p>This includes instructions executed to completion and speculatively executed in the path of branch mispredictions.</p>	μ ops_retired	NBOGUS BOGUS

Table B-2. Performance Metrics - Branching

Metric	Description	Event Name or Metric Expression	Event Mask Value Required
Branches Retired	All branch instructions executed to completion	Branch_retired	MMTM MMNM MMTP MMNP
Tagged Mispredicted Branches Retired	Counts number of retired branch instructions mispredicted This stat can be used with precise event-based sampling.	Replay_event; set the following replay tag: Tagged_mispred_branch	NBOGUS
Mispredicted Branches Retired	Mispredicted branch instructions executed to completion This stat is often used in a per-instruction ratio.	Mispred_branch_retired	NBOGUS
Misprediction Ratio	Misprediction rate per branch	(Mispredicted branches retired) / (Branches retired)	
All returns	Number of return branches	retired_branch_type	RETURN
All indirect branches	All returns and indirect calls and indirect jumps	retired_branch_type	INDIRECT
All calls	All direct and indirect calls	retired_branch_type	CALL
Mispredicted returns	Number of mispredicted returns including all causes	retired_mispred_branch_type	RETURN
All conditionals	Number of branches that are conditional jumps This may overcount if the branch is from build mode or there is a machine clear near the branch.	retired_branch_type	CONDITIONAL
Mispredicted indirect branches	All mispredicted returns and indirect calls and indirect jumps	retired_mispred_branch_type	INDIRECT

Table B-2. Performance Metrics - Branching (Contd.)

Metric	Description	Event Name or Metric Expression	Event Mask Value Required
Mispredicted calls	All mispredicted indirect calls	retired_branch_type	CALL
Mispredicted conditionals	Number of mispredicted branches that are conditional jumps	retired_mispred_branch_type	CONDITIONAL

Table B-3. Performance Metrics - Trace Cache and Front End

Metric	Description	Event Name or Metric Expression	Event Mask Value Required
Page Walk Miss ITLB	Number of page walk requests due to ITLB misses	page_walk_type	ITMISS
ITLB Misses	Number of ITLB lookups that result in a miss Page Walk Miss ITLB is less speculative than ITLB Misses and is the recommended alternative.	ITLB_reference	MISS
TC Flushes	Number of TC flushes Counter will count twice for each occurrence. Divide the count by two to get the number of flushes.	TC_misc	FLUSH
Logical Processor 0 Deliver Mode	Number of cycles that the trace and delivery engine (TDE) is delivering traces associated with logical processor 0, regardless of operating modes of TDE for traces associated with logical processor 1	TC_deliver_mode	SS SB SI

Table B-3. Performance Metrics - Trace Cache and Front End (Contd.)

Metric	Description	Event Name or Metric Expression	Event Mask Value Required
	<p>If a physical processor supports only one logical processor, all traces are associated with logical processor 0.</p> <p>This was formerly known as "Trace Cache Deliver Mode."</p>		
<p>Logical Processor 1 Deliver Mode</p>	<p>Number of cycles that the trace and delivery engine (TDE) is delivering traces associated with logical processor 1, regardless of the operating modes of the TDE for traces associated with logical processor 0</p> <p>Metric is applicable only if a physical processor supports HT Technology and have two logical processors per package.</p>	<p>TC_deliver_mode</p>	<p>SS BS IS</p>
<p>% Logical Processor N In Deliver Mode</p>	<p>Fraction of all non-halted cycles for which the trace cache is delivering μops associated with a given logical processor</p>	<p>(Logical Processor N Deliver Mode)* 100/(Non-Halted Clock Ticks)</p>	
<p>Logical Processor 0 Build Mode</p>	<p>Number of cycles that the trace and delivery engine (TDE) is building traces associated with logical processor 0, regardless of operating modes of TDE for traces associated with logical processor 1</p>	<p>TC_deliver_mode</p>	<p>BB BS BI</p>

Table B-3. Performance Metrics - Trace Cache and Front End (Contd.)

Metric	Description	Event Name or Metric Expression	Event Mask Value Required
	<p>If a physical processor supports only one logical processor, all traces are associated with logical processor 0.</p>		
<p>Logical Processor 1 Build Mode</p>	<p>Number of cycles that the trace and delivery engine (TDE) is building traces associated with logical processor 1, regardless of operating modes of TDE for traces associated with logical processor 0</p> <p>This metric is applicable only if a physical processor supports HT Technology and has two logical processors per package.</p>	<p>TC_deliver_mode</p>	<p>BB SB IB</p>
<p>Trace Cache Misses</p>	<p>Number of times that significant delays occurred in order to decode instructions and build a trace because of a TC miss</p>	<p>BPU_fetch_request</p>	<p>TCMISS</p>
<p>TC to ROM Transfers</p>	<p>Twice the number of times that ROM microcode is accessed to decode complex instructions instead of building delivering traces</p> <p>Divide the count by 2 to get the number of occurrence.</p>	<p>tc_ms_xfer</p>	<p>CISC</p>
<p>Speculative TC-Built μops</p>	<p>Number of speculative μops originating when the TC is in build mode</p>	<p>μop_queue_writes</p>	<p>FROM_TC_BUILD</p>

Table B-3. Performance Metrics - Trace Cache and Front End (Contd.)

Metric	Description	Event Name or Metric Expression	Event Mask Value Required
Speculative TC-Delivered Uops	Number of speculative μ ops originating when the TC is in deliver mode	μ op_queue_writes	FROM_TC_DELIVER
Speculative Microcode μ ops	Number of speculative μ ops originating from the microcode ROM Not all μ ops of an instruction from the microcode ROM will be included.	μ op_queue_writes	FROM_ROM

Table B-4. Performance Metrics - Memory

Metric	Description	Event Name or Metric Expression	Event Mask Value Required
Page Walk DTLB All Misses	Number of page walk requests due to DTLB misses from either load or store	page_walk_type	DTMISS
1st Level Cache Load Misses Retired	Number of retired μ ops that experienced 1st Level cache load misses. This stat is often used in a per-instruction ratio.	Replay_event; set the following replay tag: 1stL_cache_load_miss_retired	NBOGUS
2nd Level Cache Load Misses Retired	Number of retired load μ ops that experienced 2nd Level cache misses This stat is known to undercount when loads are spaced apart.	Replay_event; set the following replay tag: 2ndL_cache_load_miss_retired	NBOGUS
DTLB Load Misses Retired	Number of retired load μ ops that experienced DTLB misses	Replay_event; set the following replay tag: DTLB_load_miss_retired	NBOGUS

Table B-4. Performance Metrics - Memory (Contd.)

Metric	Description	Event Name or Metric Expression	Event Mask Value Required
DTLB Store Misses Retired	Number of retired store μ ops that experienced DTLB misses	Replay_event; set the following replay tag: DTLB_store_miss_retired	NBOGUS
DTLB Load and Store Misses Retired	Number of retired load or μ ops that experienced DTLB misses	Replay_event; set the following replay tag: DTLB_all_miss_retired	NBOGUS
64-KByte Aliasing Conflicts ¹	<p>Number of 64-KByte aliasing conflicts</p> <p>A memory reference causing 64-KByte aliasing conflict can be counted more than once in this stat. The performance penalty resulted from 64-KByte aliasing conflict can vary from being unnoticeable to considerable.</p> <p>Some implementations of the Pentium 4 processor family can incur significant penalties for loads that alias to preceding stores.</p>	Memory_cancel	64K_CONF
Split Load Replays	Number of load references to data that spanned two cache lines	Memory_complete	LSC
Split Loads Retired	Number of retired load μ ops that spanned two cache lines	Replay_event; set the following replay tag: Split_load_retired.	NBOGUS
Split Store Replays	Number of store references spanning across cache line boundary	Memory_complete	SSC
Split Stores Retired	Number of retired store μ ops spanning two cache lines	Replay_event; set the following replay tag: Split_store_retired.	NBOGUS

Table B-4. Performance Metrics - Memory (Contd.)

Metric	Description	Event Name or Metric Expression	Event Mask Value Required
MOB Load Replays	Number of replayed loads related to the Memory Order Buffer (MOB) This metric counts only the case where the store-forwarding data is not an aligned subset of the stored data.	MOB_load_replay	PARTIAL_DATA, UNALGN_ADDR
2nd Level Cache Read Misses ²	Number of 2nd-level cache read misses (load and RFO misses) Beware of granularity differences.	BSQ_cache_reference	RD_2ndL_MISS
2nd Level Cache Read References ²	Number of 2nd level cache read references (loads and RFOs) Beware of granularity differences.	BSQ_cache_reference	RD_2ndL_HITS, RD_2ndL_HITE, RD_2ndL_HITM, RD_2ndL_MISS
3rd Level Cache Read Misses ²	Number of 3rd level cache read misses (load and RFOs misses) Beware of granularity differences.	BSQ_cache_reference	RD_3rdL_MISS
3rd Level Cache Read References ²	Number of 3rd level cache read references (loads and RFOs) Beware of granularity differences.	BSQ_cache_reference	RD_3rdL_HITS, RD_3rdL_HITE, RD_3rdL_HITM, RD_3rdL_MISS
2nd Level Cache Reads Hit Shared	Number of 2nd level cache read references (loads and RFOs) that hit cache line in shared state Beware of granularity differences.	BSQ_cache_reference	RD_2ndL_HITS

Table B-4. Performance Metrics - Memory (Contd.)

Metric	Description	Event Name or Metric Expression	Event Mask Value Required
2nd Level Cache Reads Hit Modified	Number of 2nd level cache read references (loads and RFOs) that hit cache line in modified state Beware of granularity differences.	BSQ_cache_reference	RD_2ndL_HITM
2nd Level Cache Reads Hit Exclusive	Number of 2nd level cache read references (loads and RFOs) that hit cache line in exclusive state Beware of granularity differences.	BSQ_cache_reference	RD_2ndL_HITE
3rd Level Cache Reads Hit Shared	Number of 3rd level cache read references (loads and RFOs) that hit cache line in shared state Beware of granularity differences.	BSQ_cache_reference	RD_3rdL_HITS
3rd-Level Cache Reads Hit Modified	Number of 3rd level cache read references (loads and RFOs) that hit cache line in modified state Beware of granularity differences.	BSQ_cache_reference	RD_3rdL_HITM
3rd-Level Cache Reads Hit Exclusive	Number of 3rd level cache read references (loads and RFOs) that hit cache line in exclusive state Beware of granularity differences.	BSQ_cache_reference	RD_3rdL_HITE
MOB Load Replays Retired	Number of retired load μ ops that experienced replays related to MOB	Replay_event; set the following replay tag: MOB_load_replay_retired	NBOGUS
Loads Retired	Number of retired load operations that were tagged at front end	Front_end_event; set following front end tag: Memory_loads	NBOGUS

Table B-4. Performance Metrics - Memory (Contd.)

Metric	Description	Event Name or Metric Expression	Event Mask Value Required
Stores Retired	<p>Number of retired stored operations that were tagged at front end</p> <p>This stat is often used in a per-instruction ratio.</p>	Front_end_event; set the following front end tag: Memory_stores	NBOGUS
All WCB Evictions	<p>Number of times a WC buffer eviction occurred due to any cause</p> <p>This can be used to distinguish 64-KByte aliasing cases that contribute more significantly to performance penalty, for example: stores that are 64-KByte aliased.</p> <p>A high count of this metric when there is no significant contribution due to write combining buffer full condition may indicate the above situation.</p>	WC_buffer	WCB_EVICTS
WCB Full Evictions	Number of times a WC buffer eviction occurred when all of WC buffers allocated	WC_buffer	WCB_FULL_EVICT

NOTES:

1. A memory reference causing 64K aliasing conflict can be counted more than once in this stat. The resulting performance penalty can vary from unnoticeable to considerable. Some implementations of the Pentium 4 processor family can incur significant penalties from loads that alias to preceding stores.
2. Currently, bugs in this event can cause both overcounting and undercounting by as much as a factor of 2.

Table B-5. Performance Metrics - Bus

Metric	Description	Event Name or Metric Expression	Event Mask Value Required
<p>Bus Accesses from the Processor</p>	<p>Number of all bus transactions allocated in the IO Queue from this processor</p> <p>Beware of granularity issues with this event. Also Beware of different recipes in mask bits for Pentium 4 and Intel Xeon processors between CPUID model field value of 2 and model value less than 2.</p>	<p>IOQ_allocation</p>	<p>1a. ReqAO, ALL_READ, ALL_WRITE, OWN, PREFETCH (CPUID model < 2);</p> <p>1b. ReqAO, ALL_READ, ALL_WRITE, MEM_WB, MEM_WT, MEM_WP, MEM_WC, MEM_UC, OWN, PREFETCH (CPUID model >= 2).</p> <p>2: Enable edge filtering¹ in the CCCR.</p>
<p>Non-prefetch Bus Accesses from the Processor</p>	<p>Number of all bus transactions allocated in the IO Queue from this processor, excluding prefetched sectors.</p> <p>Beware of granularity issues with this event. Also Beware of different recipes in mask bits for Pentium 4 and Intel Xeon processors between CPUID model field value of 2 and model value less than 2.</p>	<p>IOQ_allocation</p>	<p>1a. ReqAO, ALL_READ, ALL_WRITE, OWN (CPUID model < 2);</p> <p>1b. ReqAO, ALL_READ, ALL_WRITE, MEM_WB, MEM_WT, MEM_WP, MEM_WC, MEM_UC, OWN (CPUID model < 2).</p> <p>2: Enable edge filtering¹ in the CCCR.</p>
<p>Prefetch Ratio</p>	<p>Fraction of all bus transactions (including retires) that were for HW or SW prefetching.</p>	<p>(Bus Accesses - Nonprefetch Bus Accesses)/ (Bus Accesses)</p>	
<p>FSB Data Ready</p>	<p>Number of front-side bus clocks that the bus is transmitting data driven by this processor</p> <p>This includes full reads writes and partial reads writes and implicit writebacks.</p>	<p>FSB_data_activity</p>	<p>1: DRDY_OWN, DRDY_DRV</p> <p>2: Enable edge filtering¹ in the CCCR.</p>

Table B-5. Performance Metrics - Bus (Contd.)

Metric	Description	Event Name or Metric Expression	Event Mask Value Required
Bus Utilization	% of time that bus is actually occupied	(FSB Data Ready) *Bus_ratio*100/ Non-Sleep Clock Ticks	
Reads from the Processor	<p>Number of all read (includes RFOs) transactions on the bus that were allocated in IO Queue from this processor (includes prefetches)</p> <p>Beware of granularity issues with this event. Also Beware of different recipes in mask bits for Pentium 4 and Intel Xeon processors between CPUID model field value of 2 and model value less than 2.</p>	IOQ_allocation	<p>1a. ReqAO, ALL_READ, OWN, PREFETCH (CPUID model < 2);</p> <p>1b. ReqAO, ALL_READ, MEM_WB, MEM_WT, MEM_WP, MEM_WC, MEM_UC, OWN, PREFETCH (CPUID model >= 2);</p> <p>2: Enable edge filtering¹ in the CCCR.</p>
Writes from the Processor	<p>Number of all write transactions on the bus allocated in IO Queue from this processor (excludes RFOs)</p> <p>Beware of granularity issues with this event. Also Beware of different recipes in mask bits for Pentium 4 and Intel Xeon processors between CPUID model field value of 2 and model value less than 2.</p>	IOQ_allocation	<p>1a. ReqAO, ALL_WRITE, OWN (CPUID model < 2);</p> <p>1b. ReqAO, ALL_WRITE, MEM_WB, MEM_WT, MEM_WP, MEM_WC, MEM_UC, OWN (CPUID model >= 2).</p> <p>2: Enable edge filtering¹ in the CCCR.</p>

Table B-5. Performance Metrics - Bus (Contd.)

Metric	Description	Event Name or Metric Expression	Event Mask Value Required
Reads Non-prefetch from the Processor	<p>Number of all read transactions (includes RFOs but excludes prefetches) on the bus that originated from this processor</p> <p>Beware of granularity issues with this event. Also Beware of different recipes in mask bits for Pentium 4 and Intel Xeon processors between CPUID model field value of 2 and model value less than 2.</p>	IOQ_allocation	<p>1a. ReqAO, ALL_READ, OWN (CPUID model < 2);</p> <p>1b. ReqAO, ALL_READ, MEM_WB, MEM_WT, MEM_WP, MEM_WC, MEM_UC, OWN (CPUID model >= 2).</p> <p>2: Enable edge filtering¹ in the CCCR.</p>
All WC from the Processor	<p>Number of Write Combining memory transactions on the bus that originated from this processor</p> <p>Beware of granularity issues with this event. Also Beware of different recipes in mask bits for Pentium 4 and Intel Xeon processors between CPUID model field value of 2 and model value less than 2.</p>	IOQ_allocation	<p>1a. ReqAO, MEM_WC, OWN (CPUID model < 2);</p> <p>1b. ReqAO, ALL_READ, ALL_WRITE, MEM_WC, OWN (CPUID model >= 2)</p> <p>2: Enable edge filtering¹ in the CCCR.</p>

Table B-5. Performance Metrics - Bus (Contd.)

Metric	Description	Event Name or Metric Expression	Event Mask Value Required
All UC from the Processor	<p>Number of UC (Uncacheable) memory transactions on the bus that originated from this processor</p> <p>Beware of granularity issues (for example: a store of dqword to UC memory requires two entries in IOQ allocation). Also Beware of different recipes in mask bits for Pentium 4 and Intel Xeon processors between CPUID model field value of 2 and model value less than 2.</p>	IOQ_allocation	<p>1a. ReqAO, MEM_UC, OWN (CPUID model < 2);</p> <p>1b. ReqAO, ALL_READ, ALL_WRITE, MEM_UC, OWN (CPUID model >= 2)</p> <p>2: Enable edge filtering¹ in the CCCR.</p>
Bus Accesses from All Agents	<p>Number of all bus transactions that were allocated in the IO Queue by all agents</p> <p>Beware of granularity issues with this event. Also beware of different recipes in mask bits for Pentium 4 and Intel Xeon processors between CPUID model field value of 2 and model value less than 2.</p>	IOQ_allocation	<p>1a. ReqAO, ALL_READ, ALL_WRITE, OWN, OTHER, PREFETCH (CPUID model < 2);</p> <p>1b. ReqAO, ALL_READ, ALL_WRITE, MEM_WB, MEM_WT, MEM_WP, MEM_WC, MEM_UC, OWN, OTHER, PREFETCH (CPUID model >= 2).</p> <p>2: Enable edge filtering¹ in the CCCR.</p>

Table B-5. Performance Metrics - Bus (Contd.)

Metric	Description	Event Name or Metric Expression	Event Mask Value Required
<p>Bus Accesses Underway from the processor²</p>	<p>Accrued sum of the durations of all bus transactions by this processor.</p> <p>Divide by "Bus Accesses from the processor" to get bus request latency.</p> <p>Also beware of different recipes in mask bits for Pentium 4 and Intel Xeon processors between CPUID model field value of 2 and model value less than 2.</p>	<p>IOQ_active_entries</p>	<p>1a. ReqAQ, ALL_READ, ALL_WRITE, OWN, PREFETCH (CPUID model < 2);</p> <p>1b. ReqAQ, ALL_READ, ALL_WRITE, MEM_WB, MEM_WT, MEM_WP, MEM_WC, MEM_UC, OWN, PREFETCH (CPUID model >= 2).</p>
<p>Bus Reads Underway from the processor²</p>	<p>Accrued sum of the durations of all read (includes RFOs) transactions by this processor.</p> <p>Divide by "Reads from the Processor" to get bus read request latency.</p> <p>Also beware of different recipes in mask bits for Pentium 4 and Intel Xeon processors between CPUID model field value of 2 and model value less than 2.</p>	<p>IOQ_active_entries</p>	<p>1a. ReqAQ, ALL_READ, OWN, PREFETCH (CPUID model < 2);</p> <p>1b. ReqAQ, ALL_READ, MEM_WB, MEM_WT, MEM_WP, MEM_WC, MEM_UC, OWN, PREFETCH (CPUID model >= 2);</p>

Table B-5. Performance Metrics - Bus (Contd.)

Metric	Description	Event Name or Metric Expression	Event Mask Value Required
<p>Non-prefetch Reads Underway from the processor²</p>	<p>Accrued sum of the durations of read (includes RFOs but excludes prefetches) transactions that originate from this processor</p> <p>Divide by "Reads Non-prefetch from the processor" to get Non-prefetch read request latency.</p> <p>Also beware of different recipes in mask bits for Pentium 4 and Intel Xeon processors between CPUID model field value of 2 and model value less than 2.</p>	<p>IOQ_active_entries</p>	<p>1a. ReqAO, ALL_READ, OWN (CPUID model < 2);</p> <p>1b. ReqAO, ALL_READ, MEM_WB, MEM_WT, MEM_WP, MEM_WC, MEM_UC, OWN (CPUID model >= 2).</p>
<p>All UC Underway from the processor²</p>	<p>Accrued sum of the durations of all UC transactions by this processor</p> <p>Divide by "All UC from the processor" to get UC request latency.</p> <p>Also beware of different recipes in mask bits for Pentium 4 and Intel Xeon processors between CPUID model field value of 2 and model value less than 2.</p>	<p>IOQ_active_entries</p>	<p>1a. ReqAO, MEM_UC, OWN (CPUID model < 2);</p> <p>1b. ReqAO, ALL_READ, ALL_WRITE, MEM_UC, OWN (CPUID model >= 2)</p>

Table B-5. Performance Metrics - Bus (Contd.)

Metric	Description	Event Name or Metric Expression	Event Mask Value Required
All WC Underway from the processor ²	<p>Accrued sum of the durations of all WC transactions by this processor.</p> <p>Divide by "All WC from the processor" to get WC request latency.</p> <p>Also beware of different recipes in mask bits for Pentium 4 and Intel Xeon processors between CPUID model field value of 2 and model value less than 2.</p>	IOQ_active_entries	<p>1a. ReqAO, MEM_WC, OWN (CPUID model < 2);</p> <p>1b. ReqAO, ALL_READ, ALL_WRITE, MEM_WC, OWN (CPUID model >= 2)</p>
Bus Writes Underway from the processor ²	<p>Accrued sum of the durations of all write transactions by this processor</p> <p>Divide by "Writes from the Processor" to get bus write request latency.</p> <p>Also beware of different recipes in mask bits for Pentium 4 and Intel Xeon processors between CPUID model field value of 2 and model value less than 2.</p>	IOQ_active_entries	<p>1a. 1a. ReqAO, ALL_WRITE, OWN (CPUID model < 2);</p> <p>1b. ReqAO, ALL_WRITE, MEM_WB, MEM_WT, MEM_WP, MEM_WC, MEM_UC, OWN (CPUID model >= 2).</p>

Table B-5. Performance Metrics - Bus (Contd.)

Metric	Description	Event Name or Metric Expression	Event Mask Value Required
<p>Bus Accesses Underway from All Agents²</p>	<p>Accrued sum of the durations of entries by all agents on the bus</p> <p>Divide by “Bus Accesses from All Agents” to get bus request latency.</p> <p>Also beware of different recipes in mask bits for Pentium 4 and Intel Xeon processors between CPUID model field value of 2 and model value less than 2.</p>	<p>IOQ_active_entries</p>	<p>1a. ReqAO, ALL_READ, ALL_WRITE, OWN, OTHER, PREFETCH (CPUID model < 2);</p> <p>1b. ReqAO, ALL_READ, ALL_WRITE, MEM_WB, MEM_WT, MEM_WP, MEM_WC, MEM_UC, OWN, OTHER, PREFETCH (CPUID model >= 2).</p>
<p>Write WC Full (BSQ)</p>	<p>The number of write (but neither writeback nor RFO) transactions to WC-type memory.</p>	<p>BSQ_allocation</p>	<p>1: REQ_TYPE1 REQ_LEN0 REQ_LEN1 MEM_TYPE0 REQ_DEM_TYPE</p> <p>2: Enable edge filtering¹ in the CCCR.</p>
<p>Write WC Partial (BSQ)</p>	<p>Number of partial write transactions to WC-type memory</p> <p>This event may undercount WC partials that originate from DWord operands.</p>	<p>BSQ_allocation</p>	<p>1: REQ_TYPE1 REQ_LEN0 MEM_TYPE0 REQ_DEM_TYPE</p> <p>2: Enable edge filtering¹ in the CCCR.</p>
<p>Writes WB Full (BSQ)</p>	<p>Number of writeback (evicted from cache) transactions to WB-type memory.</p> <p>These writebacks may not have a corresponding FSB IOQ transaction if 3rd level cache is present.</p>	<p>BSQ_allocation</p>	<p>1: REQ_TYPE0 REQ_TYPE1 REQ_LEN0 REQ_LEN1 MEM_TYPE1 MEM_TYPE2 REQ_CACHE_TYPE REQ_DEM_TYPE</p> <p>2: Enable edge filtering¹ in the CCCR.</p>

Table B-5. Performance Metrics - Bus (Contd.)

Metric	Description	Event Name or Metric Expression	Event Mask Value Required
Reads Non-prefetch Full (BSQ)	Number of read (excludes RFOs and HW/SW prefetches) transactions to WB-type memory. Beware of granularity issues with this event.	BSQ_allocation	1: REQ_LEN0 REQ_LEN1 MEM_TYPE1 MEM_TYPE2 REQ_CACHE_TYPE R EQ_DEM_TYPE 2: Enable edge filtering ¹ in the CCCR.
Reads Invalidate Full-RFO (BSQ)	Number of read invalidate (RFO) transactions to WB-type memory	BSQ_allocation	1: REQ_TYPE0 REQ_LEN0 REQ_LEN1 MEM_TYPE1 MEM_TYPE2 REQ_CACHE_TYPE R EQ_ORD_TYPE REQ_DEM_TYPE 2: Enable edge filtering ¹ in the CCCR.
UC Reads Chunk (BSQ)	Number of 8-byte aligned UC read transactions Read requests associated with 16-byte operands may under-count.	BSQ_allocation	1: REQ_LEN0 REQ_ORD_TYPE REQ_DEM_TYPE 2: Enable edge filtering ¹ in the CCCR.
UC Reads Chunk Split (BSQ)	Number of UC read transactions spanning 8-byte boundary Read requests may under-count if the data chunk straddles 64-byte boundary.	BSQ_allocation	1: REQ_LEN0 REQ_SPLIT_TYPE R EQ_ORD_TYPE REQ_DEM_TYPE 2: Enable edge filtering ¹ in the CCCR.
UC Write Partial (BSQ)	Number of UC write transactions Beware of granularity issues between BSQ and FSB IOQ events.	BSQ_allocation	1: REQ_TYPE0 REQ_LEN0 REQ_SPLIT_TYPE R EQ_ORD_TYPE REQ_DEM_TYPE 2: Enable edge filtering ¹ in the CCCR.

Table B-5. Performance Metrics - Bus (Contd.)

Metric	Description	Event Name or Metric Expression	Event Mask Value Required
IO Reads Chunk (BSQ)	Number of 8-byte aligned IO port read transactions	BSQ_allocation	1: REQ_LEN0 REQ_ORD_TYPE REQ_IO_TYPE REQ_DEM_TYPE 2: Enable edge filtering ¹ in the CCCR.
IO Writes Chunk (BSQ)	Number of IO port write transactions	BSQ_allocation	1: REQ_TYPE0 REQ_LEN0 REQ_ORD_TYPE REQ_I O_TYPE REQ_DE M_TYPE 2: Enable edge filtering ¹ in the CCCR.
WB Writes Full Underway (BSQ) ³	Accrued sum of the durations of writeback (evicted from cache) transactions to WB-type memory. Divide by Writes WB Full (BSQ) to estimate average request latency Beware of effects of writebacks from 2nd-level cache that are quickly satisfied from the 3rd-level cache (if present).	BSQ_active_entries	REQ_TYPE0 REQ_TYPE1 REQ_LEN0 REQ_LEN1 MEM_TYPE1 MEM_TYPE2 REQ_CACHE_TYPE REQ_DE M_TYPE
UC Reads Chunk Underway (BSQ) ³	Accrued sum of the durations of UC read transactions Divide by UC Reads Chunk (BSQ) to estimate average request latency. Estimated latency may be affected by undercount in allocated entries.	BSQ_active_entries	1: REQ_LEN0 REQ_ORD_TYPE REQ_DEM_TYPE 2: Enable edge filtering ¹ in the CCCR.

Table B-5. Performance Metrics - Bus (Contd.)

Metric	Description	Event Name or Metric Expression	Event Mask Value Required
Write WC Partial Underway (BSQ) ³	<p>Accrued sum of the durations of partial write transactions to WC-type memory</p> <p>Divide by Write WC Partial (BSQ) to estimate average request latency.</p> <p>Allocated entries of WC partials that originate from DWord operands are not included.</p>	BSQ_active_entries	<p>1: REQ_TYPE1 REQ_LEN0 MEM_TYPE0 REQ_DEM_TYPE</p> <p>2: Enable edge filtering¹ in the CCCR.</p>

NOTES:

1. Set the following CCCR bits to make edge triggered: Compare=1; Edge=1; Threshold=0.
2. Must program both MSR_FSB_ESCR0 and MSR_FSB_ESCR1.
3. Must program both MSR_BSU_ESCR0 and MSR_BSU_ESCR1.

Table B-6. Performance Metrics - Characterization

Metric	Description	Event Name or Metric Expression	Event Mask Value Required
x87 Input Assists	<p>Number of occurrences of x87 input operands needing assistance to handle an exception condition</p> <p>This stat is often used in a per-instruction ratio.</p>	X87_assists	PREA
x87 Output Assists	Number of occurrences of x87 operations needing assistance to handle an exception condition	X87_assists	POAO, POAU

Table B-6. Performance Metrics - Characterization (Contd.)

Metric	Description	Event Name or Metric Expression	Event Mask Value Required
SSE Input Assists	Number of occurrences of SSE/SSE2 floating-point operations needing assistance to handle an exception condition The number of occurrences includes speculative counts.	SSE_input_assist	ALL
Packed SP Retired ¹	Non-bogus packed single-precision instructions retired	Execution_event; set this execution tag: Packed_SP_retired	NONBOGUSO
Packed DP Retired ¹	Non-bogus packed double-precision instructions retired	Execution_event; set this execution tag: Packed_DP_retired	NONBOGUSO
Scalar SP Retired ¹	Non-bogus scalar single-precision instructions retired	Execution_event; set this execution tag: Scalar_SP_retired	NONBOGUSO
Scalar DP Retired ¹	Non-bogus scalar double-precision instructions retired	Execution_event; set this execution tag: Scalar_DP_retired	NONBOGUSO
64-bit MMX Instructions Retired ¹	Non-bogus 64-bit integer SIMD instruction (MMX instructions) retired	Execution_event; set the following execution tag: 64_bit_MMX_retired	NONBOGUSO
128-bit MMX Instructions Retired ¹	Non-bogus 128-bit integer SIMD instructions retired	Execution_event; set this execution tag: 128_bit_MMX_retired	NONBOGUSO
X87 Retired ²	Non-bogus x87 floating-point instructions retired	Execution_event; set this execution tag: X87_FP_retired	NONBOGUSO
Stalled Cycles of Store Buffer Resources (non-standard ³)	Duration of stalls due to lack of store buffers	Resource_stall	SBFULL

Table B-6. Performance Metrics - Characterization (Contd.)

Metric	Description	Event Name or Metric Expression	Event Mask Value Required
Stalls of Store Buffer Resources (non-standard ³)	Number of allocation stalls due to lack of store buffers	Resource_stall	SBFULL (Also set the following CCCR bits: Compare=1; Edge=1; Threshold=0)

NOTES:

1. Most MMX technology instructions, Streaming SIMD Extensions and Streaming SIMD Extensions 2 decode into a single mop. There are some instructions that decode into several mops; in these limited cases, the metrics count the number of mops that are actually tagged.
2. Most commonly used x87 instructions (e.g., fmul, fadd, fdiv, fsqrt, fstp, etc.) decode into a single-mop. However, transcendental and some x87 instructions decode into several mops; in these limited cases, the metrics will count the number of mops that are actually tagged.
3. This metric may not be supported in all models of the Pentium 4 processor family.

Table B-7. Performance Metrics - Machine Clear

Metric	Description	Event Name or Metric Expression	Event Mask Value Required
Machine Clear Count	Number of cycles that entire pipeline of the machine is cleared for all causes	Machine_clear	CLEAR (Also set the following CCCR bits: Compare=1; Edge=1; Threshold=0)
Memory Order Machine Clear	Number of times entire pipeline of the machine is cleared due to memory-ordering issues	Machine_clear	MOCLEAR
Self-modifying Code Clear	Number of times entire pipeline of the machine is cleared due to self-modifying code issues	Machine_clear	SMCCLEAR

B.2.1 Trace Cache Events

The trace cache is not directly comparable to an instruction cache. The two are organized very differently. For example, a trace can span many lines worth of instruction-cache data. As with most microarchitectural elements, trace cache performance is only an issue if something else is not a bigger bottleneck. If an application is bus bandwidth bound, the bandwidth that the front end is getting μ ops to the core may be irrelevant. When front-end bandwidth is an issue, the trace cache, in deliver mode, can issue μ ops to the core faster than either the decoder (build mode) or the microcode store (the MS ROM). Thus, the percent of time in trace cache deliver mode, or similarly, the percentage of all bogus and non-bogus μ ops from the trace cache can be a useful metric for determining front-end performance.

The metric that is most analogous to an instruction cache miss is a trace cache miss. An unsuccessful lookup of the trace cache (colloquially, a miss) is not interesting, per se, if we are in build mode and don't find a trace available. We just keep building traces. The only "penalty" in that case is that we continue to have a lower front-end bandwidth. The trace cache miss metric that is currently used is not just any TC miss, but rather one that is incurred while the machine is already in deliver mode (for example: when a 15-20 cycle penalty is paid). Again, care must be exercised. A small average number of TC misses per instruction does not indicate good front-end performance if the percentage of time in deliver mode is also low.

B.2.2 Bus and Memory Metrics

In order to correctly interpret the observed counts of performance metrics related to bus events, it is helpful to understand transaction sizes, when entries are allocated in different queues, and how sectoring and prefetching affect counts.

Figure B-1 is a simplified block diagram of the sub-systems connected to the IOQ unit in the front side bus sub-system and the BSQ unit that interface to the IOQ. A two-way SMP configuration is illustrated. 1st level cache misses and writebacks (also called core references) result in references to the 2nd level cache. The Bus Sequence Queue (BSQ) holds requests from the processor core or prefetcher that are to be serviced on the front side bus (FSB), or in the local XAPIC. If a 3rd level cache is present on-die, the BSQ also holds writeback requests (dirty, evicted data) from the 2nd level cache. The FSB's IOQ holds requests that have gone out onto the front side bus.

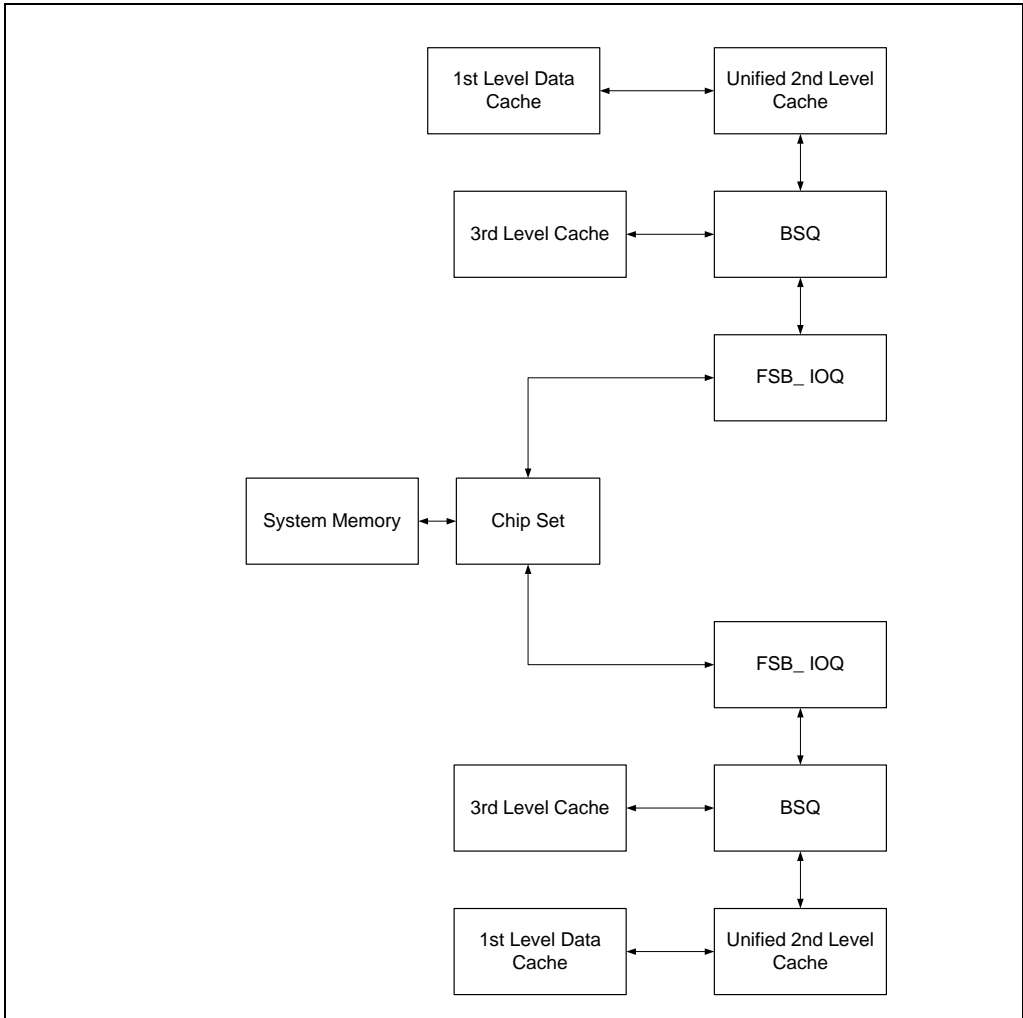


Figure B-1. Relationships Between Cache Hierarchy, IOQ, BSQ and FSB

Core references are nominally 64 bytes, the size of a 1st level cache line. Smaller sizes are called partials (uncacheable and write combining reads, uncacheable, write-through and write-protect writes, and all I/O). Writeback locks, streaming stores and write combining stores may be full line or partials. Partial lines are not relevant for cache references, since they are associated with non-cached data. Likewise, writebacks (due to the eviction of dirty data) and RFOs (reads for ownership due to program stores) are not relevant for non-cached data.

The granularity at which the core references are counted by different bus and memory metrics listed in Table B-1 varies, depending on the underlying perfor-

mance-monitoring events from which these bus and memory metrics are derived. The granularities of core references are listed below, according to the performance monitoring events documented in Appendix A of *Intel® 64 and IA-32 Architectures Software Developer's Manual, Volume 3B*.

B.2.2.1 Reads due to program loads

- `BSQ_cache_reference` — 128 bytes for misses (on current implementations), 64 bytes for hits
- `BSQ_allocation` — 128 bytes for hits or misses (on current implementations), smaller for partials' hits or misses
- `BSQ_active_entries` — 64 bytes for hits or misses, smaller for partials' hits or misses
- `IOQ_allocation`, `IOQ_active_entries` — 64 bytes, smaller for partials' hits or misses

B.2.2.2 Reads due to program writes (RFOs)

- `BSQ_cache_reference` — 64 bytes for hits or misses
- `BSQ_allocation` — 64 bytes for hits or misses (the granularity for misses may change in future implementations of `BSQ_allocation`), smaller for partials' hits or misses
- `BSQ_active_entries` — 64 bytes for hits or misses, smaller for partials' hits or misses
- `IOQ_allocation`, `IOQ_active_entries` — 64 bytes for hits or misses, smaller for partials' hits or misses

B.2.2.3 Writebacks (dirty evictions)

- `BSQ_cache_reference` — 64 bytes
- `BSQ_allocation` — 64 bytes
- `BSQ_active_entries` — 64 bytes
- `IOQ_allocation`, `IOQ_active_entries` — 64 bytes

The count of IOQ allocations may exceed the count of corresponding BSQ allocations on current implementations for several reasons, including:

- **Partials** — In the FSB IOQ, any transaction smaller than 64 bytes is broken up into one to eight partials, each being counted separately as a or one to eight-byte chunks. In the BSQ, allocations of partials get a count of one. Future implementations will count each partial individually.
- **Different transaction sizes** — Allocations of non-partial programmatic load requests get a count of one per 128 bytes in the BSQ on current implementations, and a count of one per 64 bytes in the FSB IOQ. Allocations of RFOs get a

count of 1 per 64 bytes for earlier processors and for the FSB IOQ (This granularity may change in future implementations).

- **Retries** — If the chipset requests a retry, the FSB IOQ allocations get one count per retry.

There are two noteworthy cases where there may be BSQ allocations without FSB IOQ allocations. The first is UC reads and writes to the local XAPIC registers. Second, if a cache line is evicted from the 2nd-level cache but it hits in the on-die 3rd-level cache, then a BSQ entry is allocated but no FSB transaction is necessary, and there will be no allocation in the FSB IOQ. The difference in the number of write transactions of the writeback (WB) memory type for the FSB IOQ and the BSQ can be an indication of how often this happens. It is less likely to occur for applications with poor locality of writes to the 3rd-level cache, and of course cannot happen when no 3rd-level cache is present.

B.2.3 Usage Notes for Specific Metrics

The difference between the metrics “Read from the processor” and “Reads non-prefetch from the processor” is nominally the number of hardware prefetches.

The paragraphs below cover several performance metrics that are based on the Pentium 4 processor performance-monitoring event “BSQ_cache_reference”. The metrics are:

- 2nd-Level Cache Read Misses
- 2nd-Level Cache Read References
- 3rd-Level Cache Read Misses
- 3rd-Level Cache Read References
- 2nd-Level Cache Reads Hit Shared
- 2nd-Level Cache Reads Hit Modified
- 2nd-Level Cache Reads Hit Exclusive
- 3rd-Level Cache Reads Hit Shared
- 3rd-Level Cache Reads Hit Modified
- 3rd-Level Cache Reads Hit Exclusive

These metrics based on BSQ_cache_reference may be useful as an indicator of the relative effectiveness of the 2nd-level cache, and the 3rd-level cache if present. But due to the current implementation of BSQ_cache_reference in Pentium 4 and Intel Xeon processors, they should not be used to calculate cache hit rates or cache miss rates. The following three paragraphs describe some of the issues related to BSQ_cache_reference, so that its results can be better interpreted.

Current implementations of the BSQ_cache_reference event do not distinguish between programmatic read and write misses. Programmatic writes that miss must get the rest of the cache line and merge the new data. Such a request is called a read for ownership (RFO). To the “BSQ_cache_reference” hardware, both a programmatic

read and an RFO look like a data bus read, and are counted as such. Further distinction between programmatic reads and RFOs may be provided in future implementations.

Current implementations of the BSQ_cache_reference event can suffer from perceived over- or under-counting. References are based on BSQ allocations, as described above. Consequently, read misses are generally counted once per 128-byte line BSQ allocation (whether one or both sectors are referenced), but read and write (RFO) hits and most write (RFO) misses are counted once per 64-byte line, the size of a core reference. This makes the event counts for read misses appear to have a 2-times overcounting with respect to read and write (RFO) hits and write (RFO) misses. This granularity mismatch cannot always be corrected for, making it difficult to correlate to the number of programmatic misses and hits. If the user knows that both sectors in a 128 -byte line are always referenced soon after each other, then the number of read misses can be multiplied by two to adjust miss counts to a 64-byte granularity.

Prefetches themselves are not counted as either hits or misses, as of Pentium 4 and Intel Xeon processors with a CPUID signature of 0xf21. However, in Pentium 4 Processor implementations with a CPUID signature of 0xf07 and earlier have the problem that reads to lines that are already being prefetched are counted as hits in addition to misses, thus overcounting hits.

The number of “Reads Non-prefetch from the Processor” is a good approximation of the number of outermost cache misses due to loads or RFOs, for the writeback memory type.

B.2.4 Usage Notes on Bus Activities

A number of performance metrics in Table B-1 are based on IOQ_active_entries and BSQ_active entries. The next three paragraphs provide information of various bus transaction underway metrics. These metrics nominally measure the end-to-end latency of transactions entering the BSQ (the aggregate sum of the allocation-to-deallocation durations for the BSQ entries used for all individual transaction in the processor). They can be divided by the corresponding number-of-transactions metrics (those that measure allocations) to approximate an average latency per transaction. However, that approximation can be significantly higher than the number of cycles it takes to get the first chunk of data for the demand fetch (load), because the entire transaction must be completed before deallocation. That latency includes deallocation overheads, and the time to get the other half of the 128-byte line, which is called an adjacent-sector prefetch. Since adjacent-sector prefetches have lower priority than demand fetches, there is a high probability on a heavily utilized system that the adjacent-sector prefetch will have to wait until the next bus arbitration cycle from that processor. On current implementations, the granularities at which BSQ_allocation and BSQ_active_entries count can differ, leading to a possible 2-times overcounting of latencies for non-partial programmatic loads.

Users of the bus transaction underway metrics would be best served by employing them for relative comparisons across BSQ latencies of all transactions. Users that

want to do cycle-by-cycle or type-by-type analysis should be aware that this event is known to be inaccurate for “UC Reads Chunk Underway” and “Write WC partial underway” metrics. Relative changes to the average of all BSQ latencies should be viewed as an indication that overall memory performance has changed. That memory performance change may or may not be reflected in the measured FSB latencies.

For Pentium 4 and Intel Xeon Processor implementations with an integrated 3rd-level cache, BSQ entries are allocated for all 2nd-level writebacks (replaced lines), not just those that become bus accesses (i.e., are also 3rd-level misses). This can decrease the average measured BSQ latencies for workloads that frequently thrash (miss or prefetch a lot into) the 2nd-level cache but hit in the 3rd-level cache. This effect may be less of a factor for workloads that miss all on-chip caches, since all BSQ entries due to such references will become bus transactions.

B.3 PERFORMANCE METRICS AND TAGGING MECHANISMS

A number of metrics require more tags to be specified in addition to programming a counting event. For example, the metric Split Loads Retired requires specifying a `split_load_retired` tag in addition to programming the `replay_event` to count at retirement. This section describes three sets of tags that are used in conjunction with three at-retirement counting events: `front_end_event`, `replay_event`, and `execution_event`. Please refer to Appendix A of the *Intel® 64 and IA-32 Architectures Software Developer’s Manual, Volume 3B* for the description of the at-retirement events.

B.3.1 Tags for `replay_event`

Table B-8 provides a list of the tags that are used by various metrics in Tables B-1 through B-7. These tags enable you to mark μ ops at earlier stage of execution and count the μ ops at retirement using the `replay_event`. These tags require at least two MSR’s (see Table B-8, column 2 and column 3) to tag the μ ops so they can be detected at retirement. Some tags require additional MSR (see Table B-8, column 4) to select the event types for these tagged μ ops. The event names referenced in column 4 are those from the Pentium 4 processor performance monitoring events (Section B.2).

Table B-8. Metrics That Utilize Replay Tagging Mechanism

Replay Metric Tags¹	Bit field to set: IA32_PEBS_ENABLE	Bit field to set: MSR_PEBS_MATRIX_VERT	Additional MSR	See Event Mask Parameter for Replay_event
1st_cache_load_miss_retired	Bit 0, 24, 25	Bit 0	None	NBOGUS
2nd_cache_load_miss_retired	Bit 1, 24, 25	Bit 0	None	NBOGUS
DTLB_load_miss_retired	Bit 2, 24, 25	Bit 0	None	NBOGUS
DTLB_store_miss_retired	Bit 2, 24, 25	Bit 1	None	NBOGUS
DTLB_all_miss_retired	Bit 2, 24, 25	Bit 0, Bit 1	None	NBOGUS
Tagged_mispred_branch	Bit 15, 16, 24, 25	Bit 4	None	NBOGUS
MOB_load_replay_retired	Bit 9, 24, 25	Bit 0	Select MOB_load_replay and set the PARTIAL_DATA and UNALGN_ADDR bits	NBOGUS
Split_load_retired	Bit 10, 24, 25	Bit 0	Select Load_port_replay event on SAAT_CR_ESCR1 and set SPLIT_LD bit	NBOGUS
Split_store_retired	Bit 10, 24, 25	Bit 1	Select Store_port_replay event on SAAT_CR_ESCRO and set SPLIT_ST bit	NBOGUS

NOTES:

1. Certain kinds of μ ops cannot be tagged. These include I/O operations, UC and locked accesses, returns, and far transfers.

B.3.2 Tags for front_end_event

Table B-9 provides a list of the tags that are used by various metrics derived from the front_end_event. The event names referenced in column 2 can be found from the Pentium 4 processor performance monitoring events.

Table B-9. Metrics That Utilize the Front-end Tagging Mechanism

Front-end MetricTags ¹	Additional MSR	See Event Mask Parameter for Front_end_event
Memory_loads	Set the TAGLOADS bit in Uop_Type	NBOGUS
Memory_stores	Set the TAGSTORES bit in Uop_Type	NBOGUS

NOTES:

1. May be some undercounting of front end events when there is an overflow or underflow of the floating point stack.

B.3.3 Tags for execution_event

Table B-10 provides a list of the tags that are used by various metrics derived from the execution_event. These tags require programming an upstream ESCR to select event mask with its TagUop and TagValue bit fields. The event mask for the downstream ESCR is specified in column 4. The event names referenced in column 4 can be found in the Pentium 4 processor performance monitoring events.

Table B-10. Metrics That Utilize the Execution Tagging Mechanism

Execution Metric Tags	Upstream ESCR	Tag Value in Upstream ESCR	See Event Mask Parameter for Execution_event
Packed_SP_retired	Set the ALL bit in the event mask and the TagUop bit in the ESCR of packed_SP_uop.	1	NBOGUS0
Scalar_SP_retired	Set the ALL bit in the event mask and the TagUop bit in the ESCR of scalar_SP_uop.	1	NBOGUS0

Table B-10. Metrics That Utilize the Execution Tagging Mechanism (Contd.)

Execution Metric Tags	Upstream ESCR	Tag Value in Upstream ESCR	See Event Mask Parameter for Execution_ event
Scalar_DP_retired	Set ALL bit in the event mask and TagUop bit in the ESCR of scalar_DP_uop.	1	NBOGUSO
128_bit_MMX_retired	Set ALL bit in the event mask and TagUop bit in the ESCR of 128_bit_MMX_uop .	1	NBOGUSO
64_bit_MMX_retired	Set ALL bit in the event mask and TagUop bit in the ESCR of 64_bit_MMX_uop.	1	NBOGUSO
X87_FP_retired	Set ALL bit in the event mask and TagUop bit in the ESCR of x87_FP_uop.	1	NBOGUSO

Table B-11. New Metrics for Pentium 4 Processor (Family 15, Model 3)

Metric	Descriptions	Event Name or Metric Expression	Event Mask value required
Instructions Completed	Non-bogus instructions completed and retired	instr_completed	NBOGUS
Speculative Instructions Completed	Number of instructions decoded and executed speculatively	instr_completed	BOGUS

B.4 USING PERFORMANCE METRICS WITH HYPER-THREADING TECHNOLOGY

On Intel Xeon processors that support HT Technology, the performance metrics listed in Tables B-1 through B-7 may be qualified to associate the counts with a specific logical processor, provided the relevant performance monitoring events supports qualification by logical processor. Within the subset of those performance metrics that support qualification by logical processors, some of them can be programmed with parallel ESCRs and CCCRs to collect separate counts for each logical processor simultaneously. For some metrics, qualification by logical processor is supported but there is not sufficient number of MSRs for simultaneous counting of the same metric on both logical processors. In both cases, it is also possible to program the relevant ESCR for a performance metric that supports qualification by logical processor to produce counts that are, typically, the sum of contributions from both logical processors.

A number of performance metrics are based on performance monitoring events that do not support qualification by logical processor. Any attempts to program the relevant ESCRs to qualify counts by logical processor will not produce different results. The results obtained in this manner should not be summed together.

The performance metrics listed in Tables B-1 through B-7 fall into three categories:

- Logical processor specific and supporting parallel counting
- Logical processor specific but constrained by ESCR limitations
- Logical processor independent and not supporting parallel counting

Table B-11 lists performance metrics in the first and second category. Table B-12 lists performance metrics in the third category.

There are four specific performance metrics related to the trace cache that are exceptions to the three categories above. They are:

- Logical Processor 0 Deliver Mode
- Logical Processor 1 Deliver Mode
- Logical Processor 0 Build Mode
- Logical Processor 0 Build Mode

Each of these four metrics cannot be qualified by programming bit 0 to 4 in the respective ESCR. However, it is possible and useful to collect two of these four metrics simultaneously.

Table B-12. Metrics Supporting Qualification by Logical Processor and Parallel Counting

General Metrics	<ul style="list-style-type: none"> μops Retired Instructions Retired Instructions Completed Speculative Instructions Completed Non-Halted Clock Ticks Speculative Uops Retired
Branching Metrics	<ul style="list-style-type: none"> Branches Retired Tagged Mispredicted Branches Retired Mispredicted Branches Retired All returns All indirect branches All calls All conditionals Mispredicted returns Mispredicted indirect branches Mispredicted calls Mispredicted conditionals
TC and Front End Metrics	<ul style="list-style-type: none"> Trace Cache Misses ITLB Misses TC to ROM Transfers TC Flushes Speculative TC-Built μops Speculative TC-Delivered μops Speculative Microcode μops
Memory Metrics	<ul style="list-style-type: none"> Split Load Replays¹ Split Store Replays¹ MOB Load Replays¹ 64k Aliasing Conflicts 1st-Level Cache Load Misses Retired 2nd-Level Cache Load Misses Retired DTLB Load Misses Retired Split Loads Retired¹ Split Stores Retired¹ MOB Load Replays Retired Loads Retired Stores Retired DTLB Store Misses Retired DTLB Load and Store Misses Retired 2nd-Level Cache Read Misses 2nd-Level Cache Read References 3rd-Level Cache Read Misses 3rd-Level Cache Read References

Table B-12. Metrics Supporting Qualification by Logical Processor and Parallel Counting

	<p>2nd-Level Cache Reads Hit Shared 2nd-Level Cache Reads Hit Modified 2nd-Level Cache Reads Hit Exclusive 3rd-Level Cache Reads Hit Shared 3rd-Level Cache Reads Hit Modified 3rd-Level Cache Reads Hit Exclusive</p>
Bus Metrics	<p>Bus Accesses from the Processor¹ Non-prefetch Bus Accesses from the Processor¹ Reads from the Processor¹ Writes from the Processor¹ Reads Non-prefetch from the Processor¹ All WC from the Processor¹ All UC from the Processor¹ Bus Accesses from All Agents¹ Bus Accesses Underway from the processor¹ Bus Reads Underway from the processor¹ Non-prefetch Reads Underway from the processor¹ All UC Underway from the processor¹ All WC Underway from the processor¹ Bus Writes Underway from the processor¹ Bus Accesses Underway from All Agents¹ Write WC Full (BSQ)¹ Write WC Partial (BSQ)¹ Writes WB Full (BSQ)¹ Reads Non-prefetch Full (BSQ)¹ Reads Invalidate Full- RFO (BSQ)¹ UC Reads Chunk (BSQ)¹ UC Reads Chunk Split (BSQ)¹ UC Write Partial (BSQ)¹ IO Reads Chunk (BSQ)¹ IO Writes Chunk (BSQ)¹ WB Writes Full Underway (BSQ)¹ UC Reads Chunk Underway (BSQ)¹ Write WC Partial Underway (BSQ)¹</p>
Characterization Metrics	<p>x87 Input Assists x87 Output Assists Machine Clear Count Memory Order Machine Clear Self-Modifying Code Clear Scalar DP Retired Scalar SP Retired</p>

Table B-12. Metrics Supporting Qualification by Logical Processor and Parallel Counting

	Packed DP Retired Packed SP Retired 128-bit MMX Instructions Retired 64-bit MMX Instructions Retired x87 Instructions Retired Stalled Cycles of Store Buffer Resources Stalls of Store Buffer Resources
--	---

NOTES:

1. Parallel counting is not supported due to ESCR restrictions.

Table B-13. Metrics Independent of Logical Processors

General Metrics	Non-Sleep Clock Ticks
TC and Front End Metrics	Page Walk Miss ITLB
Memory Metrics	Page Walk DTLB All Misses All WCB Evictions WCB Full Evictions
Bus Metrics	Bus Data Ready from the Processor
Characterization Metrics	SSE Input Assists

B.5 USING PERFORMANCE EVENTS OF INTEL CORE SOLO AND INTEL CORE DUO PROCESSORS

There are performance events specific to the microarchitecture of Intel Core Solo and Intel Core Duo processors. See also: Appendix A of the *Intel® 64 and IA-32 Architectures Software Developer’s Manual, Volume 3B*.

B.5.1 Understanding the Results in a Performance Counter

Each performance event detects a well-defined microarchitectural condition occurring in the core while the core is active. A core is active when:

- It’s running code (excluding the halt instruction).
- It’s being snooped by the other core or a logical processor on the platform. This can also happen when the core is halted.

Some microarchitectural conditions are applicable to a sub-system shared by more than one core and some performance events provide an event mask (or unit mask)

that allows qualification at the physical processor boundary or at bus agent boundary.

Some events allow qualifications that permit the counting of microarchitectural conditions associated with a particular core versus counts from all cores in a physical processor (see L2 and bus related events in Appendix A of the *Intel® 64 and IA-32 Architectures Software Developer's Manual, Volume 3B*).

When a multi-threaded workload does not use all cores continuously, a performance counter counting a core-specific condition may progress to some extent on the halted core and stop progressing or a unit mask may be qualified to continue counting occurrences of the condition attributed to either processor core. Typically, one can adjust the highest two bits (bits 15: 14 of the IA32_PERFEVTSELx MSR) in the unit mask field to distinguish such asymmetry (See Chapter 18, "Debugging and Performance Monitoring," of the *Intel® 64 and IA-32 Architectures Software Developer's Manual, Volume 3B*).

There are three cycle-counting events which will not progress on a halted core, even if the halted core is being snooped. These are: Unhalted core cycles, Unhalted reference cycles, and Unhalted bus cycles. All three events are detected for the unit selected by event 3CH.

Some events detect microarchitectural conditions but are limited in their ability to identify the originating core or physical processor. For example, bus_drdy_clocks may be programmed with a unit mask of 20H to include all agents on a bus. In this case, the performance counter in each core will report nearly identical values. Performance tools interpreting counts must take into account that it is only necessary to equate bus activity with the event count from one core (and not use not the sum from each core).

The above is also applicable when the core-specificity sub field (bits 15: 14 of IA32_PERFEVTSELx MSR) within an event mask is programmed with 11B. The result of reported by performance counter on each core will be nearly identical.

B.5.2 Ratio Interpretation

Ratios of two events are useful for analyzing various characteristics of a workload. It may be possible to acquire such ratios at multiple granularities, for example: (1) per-application thread, (2) per logical processor, (3) per core, and (4) per physical processor.

The first ratio is most useful from a software development perspective, but requires multi-threaded applications to manage processor affinity explicitly for each application thread. The other options provide insights on hardware utilization.

In general, collect measurements (for all events in a ratio) in the same run. This should be done because:

- If measuring ratios for a multi-threaded workload, getting results for all events in the same run enables you to understand which event counter values belongs to each thread.

- Some events, such as writebacks, may have non-deterministic behavior for different runs. In such a case, only measurements collected in the same run yield meaningful ratio values.

B.5.3 Notes on Selected Events

This section provides event-specific notes for interpreting performance events listed in Appendix A of the *Intel® 64 and IA-32 Architectures Software Developer's Manual, Volume 3B*.

- **L2_Reject_Cycles, event number 30H** — This event counts the cycles during which the L2 cache rejected new access requests.
- **L2_No_Request_Cycles, event number 32H** — This event counts cycles during which no requests from the L1 or prefetches to the L2 cache were issued.
- **Unhalted_Core_Cycles, event number 3C, unit mask 00H** — This event counts the smallest unit of time recognized by an active core.

In many operating systems, the idle task is implemented using HLT instruction. In such operating systems, clock ticks for the idle task are not counted. A transition due to Enhanced Intel SpeedStep Technology may change the operating frequency of a core. Therefore, using this event to initiate time-based sampling can create artifacts.

- **Unhalted_Ref_Cycles, event number 3C, unit mask 01H** — This event guarantees a uniform interval for each cycle being counted. Specifically, counts increment at bus clock cycles while the core is active. The cycles can be converted to core clock domain by multiplying the bus ratio which sets the core clock frequency.
- **Serial_Execution_Cycles, event number 3C, unit mask 02H** — This event counts the bus cycles during which the core is actively executing code (non-halted) while the other core in the physical processor is halted.
- **L1_Pref_Req, event number 4FH, unit mask 00H** — This event counts the number of times the Data Cache Unit (DCU) requests to prefetch a data cache line from the L2 cache. Requests can be rejected when the L2 cache is busy. Rejected requests are re-submitted.
- **DCU_Snoop_to_Share, event number 78H, unit mask 01H** — This event counts the number of times the DCU is snooped for a cache line needed by the other core. The cache line is missing in the L1 instruction cache or data cache of the other core; or it is set for read-only, when the other core wants to write to it. These snoops are done through the DCU store port. Frequent DCU snoops may conflict with stores to the DCU, and this may increase store latency and impact performance.
- **Bus_Not_In_Use, event number 7DH, unit mask 00H** — This event counts the number of bus cycles for which the core does not have a transaction waiting for completion on the bus.

- **Bus_Snoops, event number 77H, unit mask 00H** — This event counts the number of CLEAN, HIT, or HITM responses to external snoops detected on the bus.

In a single-processor system, CLEAN and HIT responses are not likely to happen. In a multiprocessor system this event indicates an L2 miss in one processor that did not find the missed data on other processors.

In a single-processor system, an HITM response indicates that an L1 miss (instruction or data) found the missed cache line in the other core in a modified state. In a multiprocessor system, this event also indicates that an L1 miss (instruction or data) found the missed cache line in another core in a modified state.

B.6 DRILL-DOWN TECHNIQUES FOR PERFORMANCE ANALYSIS

Software performance intertwines code and microarchitectural characteristics of the processor. Performance monitoring events provide insights to these interactions. Each microarchitecture often provides a large set of performance events that target different sub-systems within the microarchitecture. Having a methodical approach to select key performance events will likely improve a programmer's understanding of the performance bottlenecks and improve the efficiency of code-tuning effort.

Recent generations of Intel 64 and IA-32 processors feature microarchitectures using an out-of-order execution engine. They are also accompanied by an in-order front end and retirement logic that enforces program order. Superscalar hardware, buffering and speculative execution often complicates the interpretation of performance events and software-visible performance bottlenecks.

This section discusses a methodology of using performance events to drill down on likely areas of performance bottleneck. By narrowed down to a small set of performance events, the programmer can take advantage of Intel VTune Performance Analyzer to correlate performance bottlenecks with source code locations and apply coding recommendations discussed in Chapter 3 through Chapter 8. Although the general principles of our method can be applied to different microarchitectures, this section will use performance events available in processors based on Intel Core microarchitecture for simplicity.

Performance tuning usually centers around reducing the time it takes to complete a well-defined workload. Performance events can be used to measure the elapsed time between the start and end of a workload. Thus, reducing elapsed time of completing a workload is equivalent to reducing measured processor cycles.

The drill-down methodology can be summarized as four phases of performance event measurements to help characterize interactions of the code with key pipe stages or sub-systems of the microarchitecture. The relation of the performance event drill-down methodology to the software tuning feedback loop is illustrated in Figure B-2.

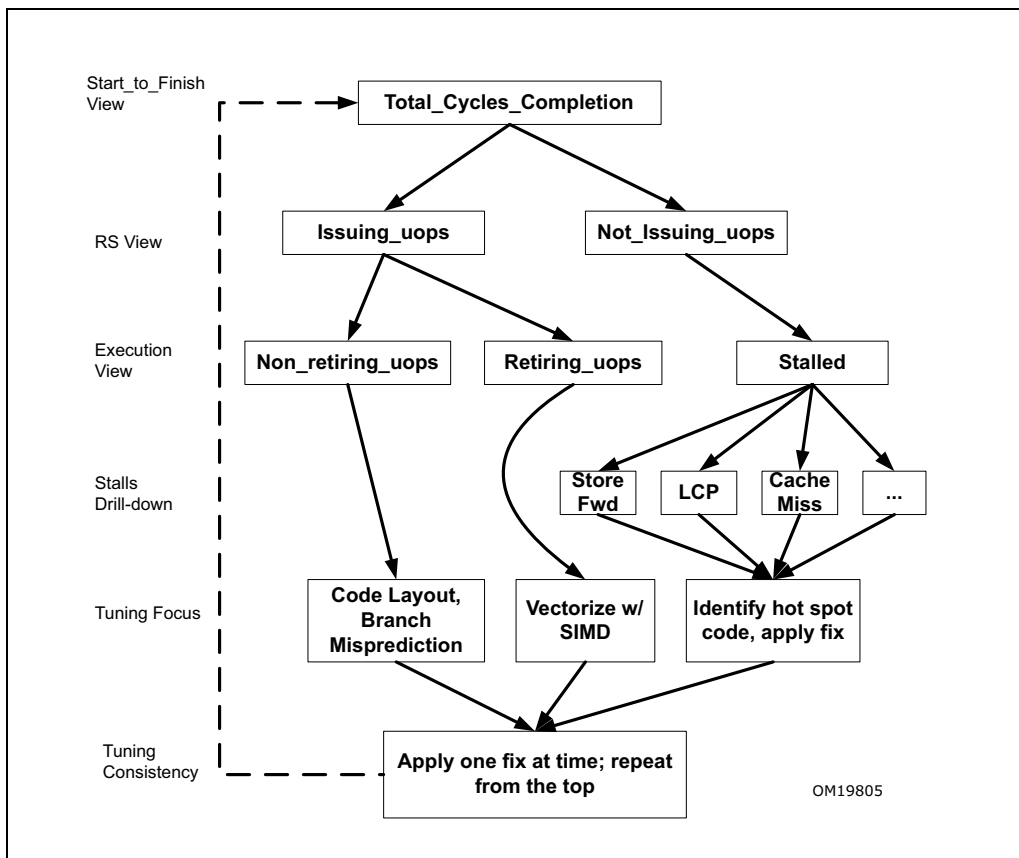


Figure B-2. Performance Events Drill-Down and Software Tuning Feedback Loop

Typically, the logic in performance monitoring hardware measures microarchitectural conditions that varies across different counting domains, ranging from cycles, micro-ops, address references, instances, etc. The drill-down methodology attempts to provide an intuitive, cycle-based view across different phases by making suitable approximations that are described below:

- **Total cycle measurement** — This is the start to finish view of total number of cycle to complete the workload of interest. In typical performance tuning situations, the metric Total_cycles can be measured by the event CPU_CLK_UNHALTED.CORE. See Appendix A, “Performance Monitoring Events,” of *Intel® 64 and IA-32 Architectures Software Developer’s Manual, Volume 3B*.
- **Cycle composition at issue port** — The reservation station (RS) dispatches micro-ops for execution so that the program can make forward progress. Hence the metric Total_cycles can be decomposed as consisting of two exclusive components: Cycles_not_issuing_uops representing cycles that the RS is not

issuing micro-ops for execution, and `Cycles_issuing_uops` cycles that the RS is issuing micro-ops for execution. The latter component includes μ ops in the architected code path or in the speculative code path.

- **Cycle composition of OOO execution** — The out-of-order engine provides multiple execution units that can execute μ ops in parallel. If one execution unit stalls, it does not necessarily imply the program execution is stalled. Our methodology attempts to construct a cycle-composition view that approximates the progress of program execution. The three relevant metrics are: `Cycles_stalled`, `Cycles_not_retiring_uops`, and `Cycles_retiring_uops`.
- **Execution stall analysis** — From the cycle compositions of overall program execution, the programmer can narrow down the selection of performance events to further pin-point unproductive interaction between the workload and a micro-architectural sub-system.

When cycles lost to a stalled microarchitectural sub-system, or to unproductive speculative execution are identified, the programmer can use VTune Analyzer to correlate each significant performance impact to source code location. If the performance impact of stalls or misprediction is insignificant, VTune can also identify the source locations of hot functions, so the programmer can evaluate the benefits of vectorization on those hot functions.

B.6.1 Cycle Composition at Issue Port

Recent processor microarchitectures employ out-of-order engines that execute streams of μ ops natively, while decoding program instructions into μ ops in its front end. The metric `Total_cycles` alone, is opaque with respect to decomposing cycles that are productive or non-productive for program execution. To establish a consistent cycle-based decomposition, we construct two metrics that can be measured using performance events available in processors based on Intel Core microarchitecture. These are:

- **Cycles_not_issuing_uops** — This can be measured by the event `RS_UOPS_DISPATCHED`, setting the `INV` bit and specifying a counter mask (`CMASK`) value of 1 in the target performance event select (`IA32_PERFEVSELx`) MSR (See Chapter 18 of the *Intel® 64 and IA-32 Architectures Software Developer's Manual, Volume 3B*). In VTune Analyzer, the special values for `CMASK` and `INV` is already configured for the VTune event name `RS_UOPS_DISPATCHED.CYCLES_NONE`.
- **Cycles_issuing_uops** — This can be measured using the event `RS_UOPS_DISPATCHED`, clear the `INV` bit and specifying a counter mask (`CMASK`) value of 1 in the target performance event select MSR

Note the cycle decomposition view here is approximate in nature; it does not distinguish specificities, such as whether the RS is full or empty, transient situations of RS being empty but some in-flight uops is getting retired.

B.6.2 Cycle Composition of OOO Execution

In an OOO engine, speculative execution is an important part of making forward progress of the program. But speculative execution of μ ops in the shadow of mispredicted code path represent un-productive work that consumes execution resources and execution bandwidth.

Cycles_not_issuing_uops, by definition, represents the cycles that the OOO engine is stalled (Cycles_stalled). As an approximation, this can be interpreted as the cycles that the program is not making forward progress.

The μ ops that are issued for execution do not necessarily end in retirement. Those μ ops that do not reach retirement do not help forward progress of program execution. Hence, a further approximation is made in the formalism of decomposition of Cycles_issuing_uops into:

- **Cycles_non_retiring_uops** — Although there isn't a direct event to measure the cycles associated with non-retiring μ ops, we will derive this metric from available performance events, and several assumptions:
 - A constant issue rate of μ ops flowing through the issue port. Thus, we define: $uops_rate = Dispatch_uops / Cycles_issuing_uops$, where Dispatch_uops can be measured with RS_UOPS_DISPATCHED, clearing the INV bit and the CMASK.
 - We approximate the number of non-productive, non-retiring μ ops by $[non_productive_uops = Dispatch_uops - executed_retired_uops]$, where executed_retired_uops represent productive μ ops contributing towards forward progress that consumed execution bandwidth.
 - The executed_retired_uops can be approximated by the sum of two contributions: num_retired_uops (measured by the event UOPS_RETIRED.ANY) and num_fused_uops (measured by the event UOPS_RETIRED.FUSED).
 Thus, $Cycles_non_retiring_uops = non_productive_uops / uops_rate$.
- **Cycles_retiring_uops** — This can be derived from $Cycles_retiring_uops = num_retired_uops / uops_rate$.

The cycle-decomposition methodology here does not distinguish situations where productive uops and non-productive μ ops may be dispatched in the same cycle into the OOO engine. This approximation may be reasonable because heuristically high contribution of non-retiring uops likely correlates to situations of congestions in the OOO engine and subsequently cause the program to stall.

Evaluations of these three components: Cycles_non_retiring_uops, Cycles_stalled, Cycles_retiring_uops, relative to the Total_cycles, can help steer tuning effort in the following directions:

- If the contribution from Cycles_non_retiring_uops is high, focusing on code layout and reducing branch mispredictions will be important.
- If both the contributions from Cycles_non_retiring_uops and Cycles_stalled are insignificant, the focus for performance tuning should be directed to vectorization or other techniques to improve retirement throughput of hot functions.

- If the contributions from `Cycles_stalled` is high, additional drill-down may be necessary to locate bottlenecks that lies deeper in the microarchitecture pipeline.

B.6.3 Drill-Down on Performance Stalls

In some situations, it may be useful to evaluate cycles lost to stalls associated with various stress points in the microarchitecture and sum up the contributions from each candidate stress points. This approach implies a very gross simplification and introduce complications that may be difficult to reconcile with the superscalar nature and buffering in an OOO engine.

Due to the variations of counting domains associated with different performance events, cycle-based estimation of performance impact at each stress point may carry different degree of errors due to over-estimation of exposures or under-estimations.

Over-estimation is likely to occur when overall performance impact for a given cause is estimated by multiplying the per-instance-cost to an event count that measures the number of occurrences of that microarchitectural condition. Consequently, the sum of multiple contributions of lost cycles due to different stress points may exceed the more accurate metric `Cycles_stalled`.

However an approach that sums up lost cycles associated with individual stress point may still be beneficial as an iterative indicator to measure the effectiveness of code tuning loop effort when tuning code to fix the performance impact of each stress point. The remaining of this sub-section will discuss a few common causes of performance bottlenecks that can be counted by performance events and fixed by following coding recommendations described in this manual.

The following items discuss several common stress points of the microarchitecture:

- **L2 Miss Impact** — An L2 load miss may expose the full latency of memory subsystem. The latency of accessing system memory varies with different chipset, generally on the order of more than a hundred cycles. Server chipset tend to exhibit longer latency than desktop chipsets. The number L2 cache miss references can be measured by `MEM_LOAD_RETIRED.L2_LINE_MISS`.

An estimation of overall L2 miss impact by multiplying system memory latency with the number of L2 misses ignores the OOO engine's ability to handle multiple outstanding load misses. Multiplication of latency and number of L2 misses imply each L2 miss occur serially.

To improve the accuracy of estimating L2 miss impact, an alternative technique should also be considered, using the event `BUS_REQUEST_OUTSTANDING` with a `CMASK` value of 1. This alternative technique effectively measures the cycles that the OOO engine is waiting for data from the outstanding bus read requests. It can overcome the over-estimation of multiplying memory latency with the number of L2 misses.

- **L2 Hit Impact** — Memory accesses from L2 will incur the cost of L2 latency (See Table 2-3). The number cache line references of L2 hit can be measured by the

difference between two events: `MEM_LOAD_RETIRED.L1D_LINE_MISS` - `MEM_LOAD_RETIRED.L2_LINE_MISS`.

An estimation of overall L2 hit impact by multiplying the L2 hit latency with the number of L2 hit references ignores the OOO engine's ability to handle multiple outstanding load misses.

- **L1 DTLB Miss Impact** — The cost of a DTLB lookup miss is about 10 cycles. The event `MEM_LOAD_RETIRED.DTLB_MISS` measures the number of load micro-ops that experienced a DTLB miss.
- **LCP Impact** — The overall impact of LCP stalls can be directly measured by the event `ILD_STALLS`. The event `ILD_STALLS` measures the number of times the slow decoder was triggered, the cost of each instance is 6 cycles
- **Store forwarding stall Impact** — When a store forwarding situation does not meet address or size requirements imposed by hardware, a stall occurs. The delay varies for different store forwarding stall situations. Consequently, there are several performance events that provide fine-grain specificity to detect different store-forwarding stall conditions. These include:
 - A load blocked by preceding store to unknown address: This situation can be measure by the event `Load_Blocks.Sta`. The per-instance cost is about 5 cycles.
 - Load partially overlaps with proceeding store or 4-KByte aliased address between a load and a proceeding store: these two situations can be measured by the event `Load_Blocks.Overlap_store`.
 - A load spanning across cache line boundary: This can be measured by `Load_Blocks.Until_Retire`. The per-instance cost is about 20 cycles.

B.7 EVENT RATIOS FOR INTEL CORE MICROARCHITECTURE

Appendix B.6 provides examples of using performance events to quickly diagnose performance bottlenecks. This section provides additional information on using performance events to evaluate metrics that can help in wide range of performance analysis, workload characterization, and performance tuning. Note that many performance event names in the Intel Core microarchitecture carry the format of `XXXX.YYY`. this notation derives from the general convention that `XXXX` typically corresponds to a unique event select code in the performance event select register (`IA32_PERFVSELx`), while `YYY` corresponds to a unique sub-event mask that uniquely defines a specific microarchitectural condition (See Chapter 18 and Appendix A of the *Intel® 64 and IA-32 Architectures Software Developer's Manual, Volume 3B*).

B.7.1 Clocks Per Instructions Retired Ratio (CPI)

1. Clocks Per Instruction Retired Ratio (CPI): $\text{CPU_CLK_UNHALTED.CORE} / \text{INST_RETIRED.ANY}$.

The Intel Core microarchitecture is capable of reaching CPI as low as 0.25 in ideal situations. But most of the code has higher CPI. The greater value of CPI for a given workload indicate it has more opportunity for code tuning to improve performance. The CPI is an overall metric, it does not provide specificity of what microarchitectural sub-system may be contributing to a high CPI value.

The following subsections defines a list of event ratios that are useful to characterize interactions with the front end, execution, and memory.

B.7.2 Front-end Ratios

2. RS Full Ratio: $\text{RESOURCE_STALLS.RS_FULL} / \text{CPU_CLK_UNHALTED.CORE} * 100$
3. ROB Full Ratio: $\text{RESOURCE_STALLS.ROB_FULL} / \text{CPU_CLK_UNHALTED.CORE} * 100$
4. Load or Store Buffer Full Ratio: $\text{RESOURCE_STALLS.LD_ST} / \text{CPU_CLK_UNHALTED.CORE} * 100$

When there is a low value for the ROB Full Ratio, RS Full Ratio, and Load Store Buffer Full Ratio, and high CPI it is likely that the front end cannot provide instructions and micro-ops at a rate high enough to fill the buffers in the out-of-order engine, and therefore it is starved waiting for micro-ops to execute. In this case check further for other front end performance issues.

B.7.2.1 Code Locality

5. Instruction Fetch Stall: $\text{CYCLES_L1I_MEM_STALLED} / \text{CPU_CLK_UNHALTED.CORE} * 100$

The Instruction Fetch Stall ratio is the percentage of cycles during which the Instruction Fetch Unit (IFU) cannot provide cache lines for decoding due to cache and Instruction TLB (ITLB) misses. A high value for this ratio indicates potential opportunities to improve performance by reducing the working set size of code pages and instructions being executed, hence improving code locality.

6. ITLB Miss Rate: $\text{ITLB_MISS_RETIRED} / \text{INST_RETIRED.ANY}$

A high ITLB Miss Rate indicates that the executed code is spread over too many pages and cause many Instructions TLB misses. Retired ITLB misses cause the pipeline to naturally drain, while the miss stalls fetching of more instructions.

7. L1 Instruction Cache Miss Rate: $\text{L1I_MISSES} / \text{INST_RETIRED.ANY}$

A high value for L1 Instruction Cache Miss Rate indicates that the code working set is bigger than the L1 instruction cache. Reducing the code working set may improve performance.

8. L2 Instruction Cache Line Miss Rate: $L2_IFETCH.SELF.I_STATE / INST_RETIRED.ANY$

L2 Instruction Cache Line Miss Rate higher than zero indicates instruction cache line misses from the L2 cache may have a noticeable performance impact of program performance.

B.7.2.2 Branching and Front-end

9. BACLEAR Performance Impact: $7 * BACLEAR_S / CPU_CLK_UNHALTED.CORE$

A high value for BACLEAR Performance Impact ratio usually indicates that the code has many branches such that they cannot be consumed by the Branch Prediction Unit.

10. Taken Branch Bubble: $(BR_TKN_BUBBLE_1 + BR_TKN_BUBBLE_2) / CPU_CLK_UNHALTED.CORE$

A high value for Taken Branch Bubble ratio indicates that the code contains many taken branches coming one after the other and cause bubbles in the front-end. This may affect performance only if it is not covered by execution latencies and stalls later in the pipe.

B.7.2.3 Stack Pointer Tracker

11. ESP Synchronization: $ESP.SYNCH / ESP.ADDITIONS$

The ESP Synchronization ratio calculates the ratio of ESP explicit use (for example by load or store instruction) and implicit uses (for example by PUSH or POP instruction). The expected ratio value is 0.2 or lower. If the ratio is higher, consider rearranging your code to avoid ESP synchronization events.

B.7.2.4 Macro-fusion

12. Macro-Fusion: $UOPS_RETIRED.MACRO_FUSION / INST_RETIRED.ANY$

The Macro-Fusion ratio calculates how many of the retired instructions were fused to a single micro-op. You may find this ratio is high for a 32-bit binary executable but significantly lower for the equivalent 64-bit binary, and the 64-bit binary performs slower than the 32-bit binary. A possible reason is the 32-bit binary benefited from macro-fusion significantly.

B.7.2.5 Length Changing Prefix (LCP) Stalls

13. LCP Delays Detected: $ILD_STALL / CPU_CLK_UNHALTED.CORE$

A high value of the LCP Delays Detected ratio indicates that many Length Changing Prefix (LCP) delays occur in the measured code.

B.7.2.6 Self Modifying Code Detection

14. Self Modifying Code Clear Performance Impact: $\text{MACHINE_NUKES.SMC} * 150 / \text{CPU_CLK_UNHALTED.CORE} * 100$

A program that writes into code sections and shortly afterwards executes the generated code may incur severe penalties. Self Modifying Code Performance Impact estimates the percentage of cycles that the program spends on self-modifying code penalties.

B.7.3 Branch Prediction Ratios

Appendix B.7.2.2, discusses branching that impacts the front-end performance. This section describes event ratios that are commonly used to characterize branch mispredictions.

B.7.3.1 Branch Mispredictions

15. Branch Misprediction Performance Impact:
 $\text{RESOURCE_STALLS.BR_MISS_CLEAR} / \text{CPU_CLK_UNHALTED.CORE} * 100$

With the Branch Misprediction Performance Impact, you can tell the percentage of cycles that the processor spends in recovering from branch mispredictions.

16. Branch Misprediction per Micro-Op Retired:
 $\text{BR_INST_RETIRED.MISPRED} / \text{UOPS_RETIRED.ANY}$

The ratio Branch Misprediction per Micro-Op Retired indicates if the code suffers from many branch mispredictions. In this case, improving the predictability of branches can have a noticeable impact on the performance of your code.

In addition, the performance impact of each branch misprediction might be high. This happens if the code prior to the mispredicted branch has high CPI, such as cache misses, which cannot be parallelized with following code due to the branch misprediction. Reducing the CPI of this code will reduce the misprediction performance impact. See other ratios to identify these cases.

You can use the precise event `BR_INST_RETIRED.MISPRED` to detect the actual targets of the mispredicted branches. This may help you to identify the mispredicted branch.

B.7.3.2 Virtual Tables and Indirect Calls

17. Virtual Table Usage: $\text{BR_IND_CALL_EXEC} / \text{INST_RETIRED.ANY}$

A high value for the ratio Virtual Table Usage indicates that the code includes many indirect calls. The destination address of an indirect call is hard to predict.

18. Virtual Table Misuse: $\text{BR_CALL_MISSP_EXEC} / \text{BR_INST_RETIRED.MISPRED}$

A high value of Branch Misprediction Performance Impact ratio (Ratio 15) together with high Virtual Table Misuse ratio indicate that significant time is spent due to mispredicted indirect function calls.

In addition to explicit use of function pointers in C code, indirect calls are used for implementing inheritance, abstract classes, and virtual methods in C++.

B.7.3.3 Mispredicted Returns

19. Mispredicted Return Instruction Rate: $\text{BR_RET_MISSP_EXEC} / \text{BR_RET_EXEC}$

The processor has a special mechanism that tracks CALL-RETURN pairs. The processor assumes that every CALL instruction has a matching RETURN instruction. If a RETURN instruction restores a return address, which is not the one stored during the matching CALL, the code incurs a misprediction penalty.

B.7.4 Execution Ratios

This section covers event ratios that can provide insights to the interactions of micro-ops with RS, ROB, execution units, etc.

B.7.4.1 Resource Stalls

A high value for the RS Full Ratio (Ratio 2) indicates that the Reservation Station (RS) often gets full with μops due to long dependency chains. The μops that get into the RS cannot execute because they wait for their operands to be computed by previous μops , or they wait for a free execution unit to be executed. This prevents exploiting the parallelism provided by the multiple execution units.

A high value for the ROB Full Ratio (Ratio 3) indicates that the reorder buffer (ROB) often gets full with μops . This usually implies on long latency operations, such as L2 cache demand misses.

B.7.4.2 ROB Read Port Stalls

20. ROB Read Port Stall Rate: $\text{RAT_STALLS.ROB_READ_PORT} / \text{CPU_CLK_UNHALTED.CORE}$

The ratio ROB Read Port Stall Rate identifies ROB read port stalls. However it should be used only if the number of resource stalls, as indicated by Resource Stall Ratio, is low.

B.7.4.3 Partial Register Stalls

21. Partial Register Stalls Ratio: $\text{RAT_STALLS.PARTIAL_CYCLES} / \text{CPU_CLK_UNHALTED.CORE} * 100$

Frequent accesses to registers that cause partial stalls increase access latency and decrease performance. Partial Register Stalls Ratio is the percentage of cycles when partial stalls occur.

B.7.4.4 Partial Flag Stalls

22. Partial Flag Stalls Ratio: $\text{RAT_STALLS.FLAGS} / \text{CPU_CLK_UNHALTED.CORE}$

Partial flag stalls have high penalty and they can be easily avoided. However, in some cases, Partial Flag Stalls Ratio might be high although there are no real flag stalls. There are a few instructions that partially modify the RFLAGS register and may cause partial flag stalls. The most popular are the shift instructions (SAR, SAL, SHR, and SHL) and the INC and DEC instructions.

B.7.4.5 Bypass Between Execution Domains

23. Delayed Bypass to FP Operation Rate: $\text{DELAYED_BYPASS.FP} / \text{CPU_CLK_UNHALTED.CORE}$

24. Delayed Bypass to SIMD Operation Rate: $\text{DELAYED_BYPASS.SIMD} / \text{CPU_CLK_UNHALTED.CORE}$

25. Delayed Bypass to Load Operation Rate: $\text{DELAYED_BYPASS.LOAD} / \text{CPU_CLK_UNHALTED.CORE}$

Domain bypass adds one cycle to instruction latency. To identify frequent domain bypasses in the code you can use the above ratios.

B.7.4.6 Floating Point Performance Ratios

26. Floating Point Instructions Ratio: $\text{X87_OPS_RETIRED.ANY} / \text{INST_RETIRED.ANY} * 100$

Significant floating-point activity indicates that specialized optimizations for floating-point algorithms may be applicable.

27. FP Assist Performance Impact: $\text{FP_ASSIST} * 80 / \text{CPU_CLK_UNHALTED.CORE} * 100$

Floating Point assist is activated for non-regular FP values like denormals and NaNs. FP assist is extremely slow compared to regular FP execution. Different assists incur different penalties. FP Assist Performance Impact estimates the overall impact.

28. Divider Busy: $\text{IDLE_DURING_DIV} / \text{CPU_CLK_UNHALTED.CORE} * 100$

A high value for the Divider Busy ratio indicates that the divider is busy and no other execution unit or load operation is in progress for many cycles. Using this ratio ignores L1 data cache misses and L2 cache misses that can be executed in parallel and hide the divider penalty.

29. Floating-Point Control Word Stall Ratio: $\text{RESOURCE_STALLS.FPCW} / \text{CPU_CLK_UNHALTED.CORE} * 100$

Frequent modifications to the Floating-Point Control Word (FPCW) might significantly decrease performance. The main reason for changing FPCW is for changing rounding mode when doing FP to integer conversions.

B.7.5 Memory Sub-System - Access Conflicts Ratios

A high value for Load or Store Buffer Full Ratio (Ratio 4) indicates that the load buffer or store buffer are frequently full, hence new micro-ops cannot enter the execution pipeline. This can reduce execution parallelism and decrease performance.

30. Load Rate: $L1D_CACHE_LD.MESI / CPU_CLK_UNHALTED.CORE$

One memory read operation can be served by a core each cycle. A high "Load Rate" indicates that execution may be bound by memory read operations.

31. Store Order Block: $STORE_BLOCK.ORDER / CPU_CLK_UNHALTED.CORE * 100$

Store Order Block ratio is the percentage of cycles that store operations, which miss the L2 cache, block committing data of later stores to the memory sub-system. This behavior can further cause the store buffer to fill up (see Ratio 4).

B.7.5.1 Loads Blocked by the L1 Data Cache

32. Loads Blocked by L1 Data Cache Rate:

$LOAD_BLOCK.L1D / CPU_CLK_UNHALTED.CORE$

A high value for "Loads Blocked by L1 Data Cache Rate" indicates that load operations are blocked by the L1 data cache due to lack of resources, usually happening as a result of many simultaneous L1 data cache misses.

B.7.5.2 4K Aliasing and Store Forwarding Block Detection

33. Loads Blocked by Overlapping Store Rate:

$LOAD_BLOCK.OVERLAP_STORE / CPU_CLK_UNHALTED.CORE$

4K aliasing and store forwarding block are two different scenarios in which loads are blocked by preceding stores due to different reasons. Both scenarios are detected by the same event: `LOAD_BLOCK.OVERLAP_STORE`. A high value for "Loads Blocked by Overlapping Store Rate" indicates that either 4K aliasing or store forwarding block may affect performance.

B.7.5.3 Load Block by Preceding Stores

34. Loads Blocked by Unknown Store Address Rate: $LOAD_BLOCK.STA / CPU_CLK_UNHALTED.CORE$

A high value for "Loads Blocked by Unknown Store Address Rate" indicates that loads are frequently blocked by preceding stores with unknown address and implies performance penalty.

35. Loads Blocked by Unknown Store Data Rate: `LOAD_BLOCK.STD / CPU_CLK_UNHALTED.CORE`

A high value for “Loads Blocked by Unknown Store Data Rate” indicates that loads are frequently blocked by preceding stores with unknown data and implies performance penalty.

B.7.5.4 Memory Disambiguation

The memory disambiguation feature of Intel Core microarchitecture eliminates most of the non-required load blocks by stores with unknown address. When this feature fails (possibly due to flaky load - store disambiguation cases) the event `LOAD_BLOCK.STA` will be counted and also `MEMORY_DISAMBIGUATION.RESET`.

B.7.5.5 Load Operation Address Translation

36. L0 DTLB Miss due to Loads - Performance Impact: `DTLB_MISSES.LO_MISS_LD * 2 / CPU_CLK_UNHALTED.CORE`

High number of DTLB0 misses indicates that the data set that the workload uses spans a number of pages that is bigger than the DTLB0. The high number of misses is expected to impact workload performance only if the CPI (Ratio 1) is low - around 0.8. Otherwise, it is likely that the DTLB0 miss cycles are hidden by other latencies.

B.7.6 Memory Sub-System - Cache Misses Ratios

B.7.6.1 Locating Cache Misses in the Code

Intel Core microarchitecture provides you with precise events for retired load instructions that miss the L1 data cache or the L2 cache. As precise events they provide the instruction pointer of the instruction following the one that caused the event. Therefore the instruction that comes immediately prior to the pointed instruction is the one that causes the cache miss. These events are most helpful to quickly identify on which loads to focus to fix a performance problem. The events are:

`MEM_LOAD_RETIRE.L1D_MISS`

`MEM_LOAD_RETIRE.L1D_LINE_MISS`

`MEM_LOAD_RETIRE.L2_MISS`

`MEM_LOAD_RETIRE.L2_LINE_MISS`

B.7.6.2 L1 Data Cache Misses

37. L1 Data Cache Miss Rate: $L1D_REPL / INST_RETIRED.ANY$

A high value for L1 Data Cache Miss Rate indicates that the code misses the L1 data cache too often and pays the penalty of accessing the L2 cache. See also Loads Blocked by L1 Data Cache Rate (Ratio 32).

You can count separately cache misses due to loads, stores, and locked operations using the events `L1D_CACHE_LD.I_STATE`, `L1D_CACHE_ST.I_STATE`, and `L1D_CACHE_LOCK.I_STATE`, accordingly.

B.7.6.3 L2 Cache Misses

38. L2 Cache Miss Rate: $L2_LINES_IN.SELF.ANY / INST_RETIRED.ANY$

A high L2 Cache Miss Rate indicates that the running workload has a data set larger than the L2 cache. Some of the data might be evicted without being used. Unless all the required data is brought ahead of time by the hardware prefetcher or software prefetching instructions, bringing data from memory has a significant impact on the performance.

39. L2 Cache Demand Miss Rate: $L2_LINES_IN.SELF.DEMAND / INST_RETIRED.ANY$

A high value for L2 Cache Demand Miss Rate indicates that the hardware prefetchers are not exploited to bring the data this workload needs. Data is brought from memory when needed to be used and the workload bears memory latency for each such access.

B.7.7 Memory Sub-system - Prefetching

B.7.7.1 L1 Data Prefetching

The event `L1D_PREFETCH.REQUESTS` is counted whenever the DCU attempts to prefetch cache lines from the L2 (or memory) to the DCU. If you expect the DCU prefetchers to work and to count this event, but instead you detect the event `MEM_LOAD_RETIRE.L1D_MISS`, it might be that the IP prefetcher suffers from load instruction address collision of several loads.

B.7.7.2 L2 Hardware Prefetching

With the event `L2_LD.SELF.PREFETCH.MESI` you can count the number of prefetch requests that were made to the L2 by the L2 hardware prefetchers. The actual number of cache lines prefetched to the L2 is counted by the event `L2_LD.SELF.PREFETCH.I_STATE`.

B.7.7.3 Software Prefetching

The events for software prefetching cover each level of prefetching separately.

40. Useful PrefetchNTA Ratio: $\text{SSE_PRE_MISS.NTA} / \text{SSE_PRE_EXEC.NTA} * 100$

41. Useful PrefetchT0 Ratio: $\text{SSE_PRE_MISS.L1} / \text{SSE_PRE_EXEC.L1} * 100$

42. Useful PrefetchT1 and PrefetchT2 Ratio: $\text{SSE_PRE_MISS.L2} / \text{SSE_PRE_EXEC.L2} * 100$

A low value for any of the prefetch usefulness ratios indicates that some of the SSE prefetch instructions prefetch data that is already in the caches.

43. Late PrefetchNTA Ratio: $\text{LOAD_HIT_PRE} / \text{SSE_PRE_EXEC.NTA}$

44. Late PrefetchT0 Ratio: $\text{LOAD_HIT_PRE} / \text{SSE_PRE_EXEC.L1}$

45. Late PrefetchT1 and PrefetchT2 Ratio: $\text{LOAD_HIT_PRE} / \text{SSE_PRE_EXEC.L2}$

A high value for any of the late prefetch ratios indicates that software prefetch instructions are issued too late and the load operations that use the prefetched data are waiting for the cache line to arrive.

B.7.8 Memory Sub-system - TLB Miss Ratios

46. TLB miss penalty: $\text{PAGE_WALKS.CYCLES} / \text{CPU_CLK_UNHALTED.CORE} * 100$

A high value for the TLB miss penalty ratio indicates that many cycles are spent on TLB misses. Reducing the number of TLB misses may improve performance. This ratio does not include DTLB0 miss penalties (see Ratio 37).

The following ratios help to focus on the kind of memory accesses that cause TLB misses most frequently. See "ITLB Miss Rate" (Ratio 6) for TLB misses due to instruction fetch.

47. DTLB Miss Rate: $\text{DTLB_MISSES.ANY} / \text{INST_RETIRED.ANY}$

A high value for DTLB Miss Rate indicates that the code accesses too many data pages within a short time, and causes many Data TLB misses.

48. DTLB Miss Rate due to Loads: $\text{DTLB_MISSES.MISS_LD} / \text{INST_RETIRED.ANY}$

A high value for DTLB Miss Rate due to Loads indicates that the code accesses loads data from too many pages within a short time, and causes many Data TLB misses. DTLB misses due to load operations may have a significant impact, since the DTLB miss increases the load operation latency. This ratio does not include DTLB0 miss penalties (see Ratio 37).

To precisely locate load instructions that caused DTLB misses you can use the precise event `MEM_LOAD_RETIRE.DTLB_MISS`.

49. DTLB Miss Rate due to Stores: $\text{DTLB_MISSES.MISS_ST} / \text{INST_RETIRED.ANY}$

A high value for DTLB Miss Rate due to Stores indicates that the code accesses too many data pages within a short time, and causes many Data TLB misses due to store

operations. These misses can impact performance if they do not occur in parallel to other instructions. In addition, if there are many stores in a row, some of them missing the DTLB, it may cause stalls due to full store buffer.

B.7.9 Memory Sub-system - Core Interaction

B.7.9.1 Modified Data Sharing

50. Modified Data Sharing Ratio: $\text{EXT_SNOOP.ALL_AGENTS.HITM} / \text{INST_RETIRED.ANY}$

Frequent occurrences of modified data sharing may be due to two threads using and modifying data laid in one cache line. Modified data sharing causes L2 cache misses. When it happens unintentionally (aka false sharing) it usually causes demand misses that have high penalty. When false sharing is removed code performance can dramatically improve.

51. Local Modified Data Sharing Ratio: $\text{EXT_SNOOP.THIS_AGENT.HITM} / \text{INST_RETIRED.ANY}$

Modified Data Sharing Ratio indicates the amount of total modified data sharing observed in the system. For systems with several processors you can use Local Modified Data Sharing Ratio to indicates the amount of modified data sharing between two cores in the same processor. (In systems with one processor the two ratios are similar).

B.7.9.2 Fast Synchronization Penalty

52. Locked Operations Impact: $(\text{L1D_CACHE_LOCK_DURATION} + 20 * \text{L1D_CACHE_LOCK.MESI}) / \text{CPU_CLK_UNHALTED.CORE} * 100$

Fast synchronization is frequently implemented using locked memory accesses. A high value for Locked Operations Impact indicates that locked operations used in the workload have high penalty. The latency of a locked operation depends on the location of the data: L1 data cache, L2 cache, other core cache or memory.

B.7.9.3 Simultaneous Extensive Stores and Load Misses

53. Store Block by Snoop Ratio: $(\text{STORE_BLOCK.SNOOP} / \text{CPU_CLK_UNHALTED.CORE}) * 100$

A high value for "Store Block by Snoop Ratio" indicates that store operations are frequently blocked and performance is reduced. This happens when one core executes a dense stream of stores while the other core in the processor frequently snoops it for cache lines missing in its L1 data cache.

B.7.10 Memory Sub-system - Bus Characterization

B.7.10.1 Bus Utilization

54. Bus Utilization: $\text{BUS_TRANS_ANY.ALL_AGENTS} * 2 / \text{CPU_CLK_UNHALTED.BUS} * 100$

Bus Utilization is the percentage of bus cycles used for transferring bus transactions of any type. In single processor systems most of the bus transactions carry data. In multiprocessor systems some of the bus transactions are used to coordinate cache states to keep data coherency.

55. Data Bus Utilization: $\text{BUS_DRDY_CLOCKS.ALL_AGENTS} / \text{CPU_CLK_UNHALTED.BUS} * 100$

Data Bus Utilization is the percentage of bus cycles used for transferring data among all bus agents in the system, including processors and memory. High bus utilization indicates heavy traffic between the processor(s) and memory. Memory sub-system latency can impact the performance of the program. For compute-intensive applications with high bus utilization, look for opportunities to improve data and code locality. For other types of applications (for example, copying large amounts of data from one memory area to another), try to maximize bus utilization.

56. Bus Not Ready Ratio: $\text{BUS_BNR_DRV.ALL_AGENTS} * 2 / \text{CPU_CLK_UNHALTED.BUS} * 100$

Bus Not Ready Ratio estimates the percentage of bus cycles during which new bus transactions cannot start. A high value for Bus Not Ready Ratio indicates that the bus is highly loaded. As a result of the Bus Not Ready (BNR) signal, new bus transactions might defer and their latency will have higher impact on program performance.

57. Burst Read in Bus Utilization: $\text{BUS_TRANS_BRD.SELF} * 2 / \text{CPU_CLK_UNHALTED.BUS} * 100$

A high value for Burst Read in Bus Utilization indicates that bus and memory latency of burst read operations may impact the performance of the program.

58. RFO in Bus Utilization: $\text{BUS_TRANS_RFO.SELF} * 2 / \text{CPU_CLK_UNHALTED.BUS} * 100$

A high value for RFO in Bus Utilization indicates that latency of Read For Ownership (RFO) transactions may impact the performance of the program. RFO transactions may have a higher impact on the program performance compared to other burst read operations (for example, as a result of loads that missed the L2). See also Ratio 31.

B.7.10.2 Modified Cache Lines Eviction

59. L2 Modified Lines Eviction Rate: $\text{L2_M_LINES_OUT.SELF.ANY} / \text{INST_RETIRED.ANY}$

When a new cache line is brought from memory, an existing cache line, possibly modified, is evicted from the L2 cache to make space for the new line. Frequent evic-

USING PERFORMANCE MONITORING EVENTS

tions of modified lines from the L2 cache increase the latency of the L2 cache misses and consume bus bandwidth.

60. Explicit WB in Bus Utilization: $\text{BUS_TRANS_WB.SELF} * 2 / \text{CPU_CLK_UNHALTED.BUS} * 100$

Explicit Write-back in Bus Utilization considers modified cache line evictions not only from the L2 cache but also from the L1 data cache. It represents the percentage of bus cycles used for explicit write-backs from the processor to memory.

APPENDIX C

INSTRUCTION LATENCY AND THROUGHPUT

This appendix contains tables showing the latency and throughput are associated with commonly used instructions¹. The instruction timing data varies across processors family/models. It contains the following sections:

- **Appendix C.1, “Overview”** — Provides an overview of issues related to instruction selection and scheduling.
- **Appendix C.2, “Definitions”** — Presents definitions.
- **Appendix C.3, “Latency and Throughput”** — Lists instruction throughput, latency associated with commonly-used instruction.

C.1 OVERVIEW

This appendix provides information to assembly language programmers and compiler writers. The information aids in the selection of instruction sequences (to minimize chain latency) and in the arrangement of instructions (assists in hardware processing). The performance impact of applying the information has been shown to be on the order of several percent. This is for applications not dominated by other performance factors, such as:

- cache miss latencies
- bus bandwidth
- I/O bandwidth

Instruction selection and scheduling matters when the programmer has already addressed the performance issues discussed in Chapter 2:

- observe store forwarding restrictions
- avoid cache line and memory order buffer splits
- do not inhibit branch prediction
- minimize the use of **xchg** instructions on memory locations

1. Although instruction latency may be useful in some limited situations (e.g., a tight loop with a dependency chain that exposes instruction latency), software optimization on super-scalar, out-of-order microarchitecture, in general, will benefit much more on increasing the effective throughput of the larger-scale code path. Coding techniques that rely on instruction latency alone to influence the scheduling of instruction is likely to be sub-optimal as such coding technique is likely to interfere with the out-of-order machine or restrict the amount of instruction-level parallelism.

INSTRUCTION LATENCY AND THROUGHPUT

While several items on the above list involve selecting the right instruction, this appendix focuses on the following issues. These are listed in priority order, though which item contributes most to performance varies by application:

- Maximize the flow of μ ops into the execution core. Instructions which consist of more than four μ ops require additional steps from microcode ROM. Instructions with longer μ op flows incur a delay in the front end and reduce the supply of μ ops to the execution core.

In Pentium 4 and Intel Xeon processors, transfers to microcode ROM often reduce how efficiently μ ops can be packed into the trace cache. Where possible, it is advisable to select instructions with four or fewer μ ops. For example, a 32-bit integer multiply with a memory operand fits in the trace cache without going to microcode, while a 16-bit integer multiply to memory does not.

- Avoid resource conflicts. Interleaving instructions so that they don't compete for the same port or execution unit can increase throughput. For example, alternate PADDQ and PMULUDQ (each has a throughput of one issue per two clock cycles). When interleaved, they can achieve an effective throughput of one instruction per cycle because they use the same port but different execution units. Selecting instructions with fast throughput also helps to preserve issue port bandwidth, hide latency and allows for higher software performance.
- Minimize the latency of dependency chains that are on the critical path. For example, an operation to shift left by two bits executes faster when encoded as two adds than when it is encoded as a shift. If latency is not an issue, the shift results in a denser byte encoding.

In addition to the general and specific rules, coding guidelines and the instruction data provided in this manual, you can take advantage of the software performance analysis and tuning toolset available at <http://developer.intel.com/software/products/index.htm>. The tools include the Intel VTune Performance Analyzer, with its performance-monitoring capabilities.

C.2 DEFINITIONS

The data is listed in several tables. The tables contain the following:

- **Instruction Name** — The assembly mnemonic of each instruction.
- **Latency** — The number of clock cycles that are required for the execution core to complete the execution of all of the μ ops that form an instruction.
- **Throughput** — The number of clock cycles required to wait before the issue ports are free to accept the same instruction again. For many instructions, the throughput of an instruction can be significantly less than its latency.

C.3 LATENCY AND THROUGHPUT

This section presents the latency and throughput information for commonly-used instructions including: MMX technology, Streaming SIMD Extensions, subsequent generations of SIMD instruction extensions, and most of the frequently used general-purpose integer and x87 floating-point instructions.

Due to the complexity of dynamic execution and out-of-order nature of the execution core, the instruction latency data may not be sufficient to accurately predict realistic performance of actual code sequences based on adding instruction latency data.

- Instruction latency data is useful when tuning a dependency chain. However, dependency chains limit the out-of-order core's ability to execute micro-ops in parallel. Instruction throughput data are useful when tuning parallel code unencumbered by dependency chains.
- Numeric data in the tables is:
 - approximate and subject to change in future implementations of the microarchitecture.
 - not meant to be used as reference for instruction-level performance benchmarks. Comparison of instruction-level performance of microprocessors that are based on different microarchitectures is a complex subject and requires information that is beyond the scope of this manual.

Comparisons of latency and throughput data between different microarchitectures can be misleading.

Appendix C.3.1 provides latency and throughput data for the register-to-register instruction type. Appendix C.3.3 discusses how to adjust latency and throughput specifications for the register-to-memory and memory-to-register instructions.

In some cases, the latency or throughput figures given are just one half of a clock. This occurs only for the double-speed ALUs.

C.3.1 Latency and Throughput with Register Operands

Instruction latency and throughput data are presented in Table C-1 through Table C-10. Tables include Supplemental Streaming SIMD Extension 3, Streaming SIMD Extension 3, Streaming SIMD Extension 2, Streaming SIMD Extension, MMX technology and most common Intel 64 and IA-32 instructions. Instruction latency and throughput for different processor microarchitectures are in separate columns.

Processor instruction timing data for Intel NetBurst microarchitecture is implementation specific; it can vary between model encodings (value = 3 and model < 2). Separate sets of instruction latency and throughput are shown in the columns for CPUID signature 0xF2n and 0xF3n. The column represented by 0xF3n also applies to Intel processors with CPUID signature 0xF4n and 0xF6n. The notation 0xF2n represents the hex value of the lower 12 bits of the EAX register reported by CPUID instruction with input value of EAX = 1; 'F' indicates the family encoding value is 15, '2' indicates the model encoding is 2, 'n' indicates it applies to any value in the stepping encoding.

INSTRUCTION LATENCY AND THROUGHPUT

Pentium M processor instruction timing data is shown in the columns represented by CPUID signature 0x69n. The instruction timing for Pentium M processor with CPUID signature 0x6Dn is the same as that of 0x69n.

Intel Core Solo and Intel Core Duo processors have CPUID signature 0x6En. Processors based on Intel Core microarchitecture have the CPUID signature 0x6Fn.

Table C-1. Supplemental Streaming SIMD Extension 3 SIMD Instructions

Instruction	Latency ¹	Throughput
CPUID	06Fn	06Fn
PALIGNR mm1, mm2, imm	2	1
PALIGNR xmm1, xmm2, imm	2	1
PHADD mm1, mm2	3	2
PHADD xmm1, xmm2	5	2
PHADDW/PHADDSW mm1, mm2	5	4
PHADDW/PHADDSW xmm1, xmm2	6	4
PHSUBD mm1, mm2	3	2
PHSUBD xmm1, xmm2	5	2
PHSUBW/PHSUBSW mm1, mm2	5	4
PHSUBW/PHSUBSW xmm1, xmm2	6	4
PMADDUBSW mm1, mm2	3	1
PMADDUBSW xmm1, xmm2	3	1
PMULHRW mm1, mm2	3	1
PMULHRW xmm1, xmm2	3	1
PSHUFB mm1, mm2	1	1
PSHUFB xmm1, xmm2	3	2
PSIGNB/PSIGND/PSIGNW mm1, mm2	1	1
PSIGNB/PSIGND/PSIGNW xmm1, xmm2	1	1

See Appendix C.3.2, "Table Footnotes"

Table C-2. Streaming SIMD Extension 3 SIMD Floating-point Instructions

Instruction	Latency ¹	Throughput	Execution Unit
CPUID	0F3n	0F3n	0F3n
ADDSUBPD/ADDSUBPS	5	2	FP_ADD

Table C-2. Streaming SIMD Extension 3 SIMD Floating-point Instructions (Contd.)

Instruction	Latency ¹	Throughput	Execution Unit
CPUID	0F3n	0F3n	0F3n
HADDPD/HADDPS	13	4	FP_ADD,FP_MISC
HSUBPD/HSUBPS	13	4	FP_ADD,FP_MISC
MOVDDUP xmm1, xmm2	4	2	FP_MOVE
MOVSHDUP xmm1, xmm2	6	2	FP_MOVE
MOVSLDUP xmm1, xmm2	6	2	FP_MOVE

See Appendix C.3.2, "Table Footnotes"

Table C-2a. Streaming SIMD Extension 3 SIMD Floating-point Instructions

Instruction	Latency ¹		Throughput	
	06Fn	06En	06Fn	06En
CPUID	06Fn	06En	06Fn	06En
ADDSUBPD/ADDSUBPS	3	4	1	2
HADDPD xmm1, xmm2	3	4	2	2
HADDPS xmm1, xmm2	6		2	
HSUBPD xmm1, xmm2	3	4	2	2
HSUBPS xmm1, xmm2	6		2	
MOVDDUP xmm1, xmm2	1	1	1	1
MOVSHDUP xmm1, xmm2	2	2	1	2
MOVSLDUP xmm1, xmm2		2		2

See Appendix C.3.2, "Table Footnotes"

Table C-3. Streaming SIMD Extension 2 128-bit Integer Instructions

Instruction	Latency ¹		Throughput		Execution Unit ²
	0F3n	0F2n	0F3n	0F2n	
CPUID	0F3n	0F2n	0F3n	0F2n	0F2n
CVTDQ2PS ³ xmm, xmm	5	5	2	2	FP_ADD
CVTPS2DQ ³ xmm, xmm	5	5	2	2	FP_ADD
CVTTPS2DQ ³ xmm, xmm	5	5	2	2	FP_ADD
MOVD xmm, r32	6	6	2	2	MMX_MISC,MMX_ SHFT
MOVD r32, xmm	10	10	1	1	FP_MOVE, FP_MISC

Table C-3. Streaming SIMD Extension 2 128-bit Integer Instructions (Contd.)

Instruction	Latency ¹		Throughput		Execution Unit ²
	OF3n	OF2n	OF3n	OF2n	OF2n
MOVDQA xmm, xmm	6	6	1	1	FP_MOVE
MOVDQU xmm, xmm	6	6	1	1	FP_MOVE
MOVDQ2Q mm, xmm	8	8	2	2	FP_MOVE, MMX_ALU
MOVQ2DQ xmm, mm	8	8	2	2	FP_MOVE, MMX_SHFT
MOVQ xmm, xmm	2	2	2	2	MMX_SHFT
PACKSSWB/PACKSSDW/ PACKUSWB xmm, xmm	4	4	2	2	MMX_SHFT
PADDB/PADDW/PADDD xmm, xmm	2	2	2	2	MMX_ALU
PADDSB/PADDSW/ PADDUSB/PADDUSW xmm, xmm	2	2	2	2	MMX_ALU
PADDQ mm, mm	2	2	1	1	FP_MISC
PSUBQ mm, mm	2	2	1	1	FP_MISC
PADDQ/ PSUBQ ³ xmm, xmm	6	6	2	2	FP_MISC
PAND xmm, xmm	2	2	2	2	MMX_ALU
PANDN xmm, xmm	2	2	2	2	MMX_ALU
PAVGB/PAVGW xmm, xmm	2	2	2	2	MMX_ALU
PCMPEQB/PCMPEQD/ PCMPEQW xmm, xmm	2	2	2	2	MMX_ALU
PCMPGTB/PCMPGTD/PCM PGTW xmm, xmm	2	2	2	2	MMX_ALU
PEXTRW r32, xmm, imm8	7	7	2	2	MMX_SHFT, FP_MISC
PINSRW xmm, r32, imm8	4	4	2	2	MMX_SHFT,MMX _MISC
PMADDWD xmm, xmm	9	8	2	2	FP_MUL
PMAX xmm, xmm	2	2	2	2	MMX_ALU
PMIN xmm, xmm	2	2	2	2	MMX_ALU
PMOVMASKB ³ r32, xmm	7	7	2	2	FP_MISC
PMULHUW/PMULHW/ PMULLW ³ xmm, xmm	9	8	2	2	FP_MUL

Table C-3. Streaming SIMD Extension 2 128-bit Integer Instructions (Contd.)

Instruction	Latency ¹		Throughput		Execution Unit ²
	OF3n	OF2n	OF3n	OF2n	OF2n
CPUID					
PMULUDQ mm, mm	9	8		1	FP_MUL
PMULUDQ xmm, xmm	9	8	2	2	FP_MUL
POR xmm, xmm	2	2	2	2	MMX_ALU
PSADBW xmm, xmm	4	4	2	2	MMX_ALU
PSHUFD xmm, xmm, imm8	4	4	2	2	MMX_SHFT
PSHUFW xmm, xmm, imm8	2	2	2	2	MMX_SHFT
PSHUFLW xmm, xmm, imm8	2	2	2	2	MMX_SHFT
PSLLDQ xmm, imm8	4	4	2	2	MMX_SHFT
PSLLW/PSLLD/PSLLQ xmm, xmm/imm8	2	2	2	2	MMX_SHFT
PSRAW/PSRAD xmm, xmm/imm8	2	2	2	2	MMX_SHFT
PSRLDQ xmm, imm8	4	4	2	2	MMX_SHFT
PSRLW/PSRLD/PSRLQ xmm, xmm/imm8	2	2	2	2	MMX_SHFT
PSUBB/PSUBW/PSUBD xmm, xmm	2	2	2	2	MMX_ALU
PSUBSB/PSUBSW/PSUBUSB/PSUBUSW xmm, xmm	2	2	2	2	MMX_ALU
PUNPCKHBW/PUNPCKHWD/PUNPCKHDQ xmm, xmm	4	4	2	2	MMX_SHFT
PUNPCKHQDQ xmm, xmm	4	4	2	2	MMX_SHFT
PUNPCKLBW/PUNPCKLWD/PUNPCKLDQ xmm, xmm	2	2	2	2	MMX_SHFT
PUNPCKLQDQ ³ xmm, xmm	4	4	1	1	FP_MISC
PXOR xmm, xmm	2	2	2	2	MMX_ALU

See Appendix C.3.2, "Table Footnotes"

Table C-3a. Streaming SIMD Extension 2 128-bit Integer Instructions

Instruction	Latency ¹				Throughput			
	06Fn	06En	06Dn	0x69n	06Fn	06En	06Dn	0x69n
CVTDQ2PS xmm, xmm	3	4			1	2		
CVTPS2DQ xmm, xmm	3	4	4	4	1	2	2	2
CVTTPS2DQ xmm, xmm	3	4	4	4	1	2	2	2
MASKMOVDQU xmm, xmm	8				2			
MOVD xmm, r32	1	1	1	1	0.5	0.5	0.5	0.5
MOVD xmm, r64	1	N/A	N/A	N/A	0.5	N/A	N/A	N/A
MOVD r32, xmm	1	1	1	1	1	1	1	1
MOVD r64, xmm	1	N/A	N/A	N/A	0.33	N/A	N/A	N/A
MOVDQA xmm, xmm	1	1	1	1	0.33	1	1	1
MOVDQU xmm, xmm	1	1	1	1	0.5	1	1	1
MOVDQ2Q mm, xmm	1	1	1	1		0.5	0.5	0.5
MOVQ2DQ xmm, mm	1	1	1	1	1	1	1	1
MOVQ xmm, xmm	1		1	1	0.33		1	1
PACKSSWB/PACKSSDW/ PACKUSWB xmm, xmm	2	2	2	2	2	2	2	2
PADDB/PADDW/PADD mm, xmm	1	1	1	1	0.33	1	1	1
PADDSB/PADDSW/ PADDUSB/PADDUSW xmm, xmm	1	1	1	1	0.33	1	1	1
PADDQ mm, mm	2	2	2	2	1	1	1	1
PSUBQ mm, mm	2	2	2	2	1	1	1	1
PADDQ/ PSUBQ ³ xmm, xmm	2	3	3	3	1	2	2	2
PAND xmm, xmm	1	1	1	1	0.33	1	1	1
PANDN xmm, xmm	1		1	1	0.33	1	1	1
PAVGB/PAVGW xmm, xmm	1	1	1	1	0.5	1	1	1
PCMPEQB/PCMPEQD/ PCMPEQW xmm, xmm	1	1	1	1	0.33	1	1	1
PCMPGTB/PCMPGTD/PCMPG TW xmm, xmm	1	1	1	1	0.33	1	1	1
PEXTRW r32, xmm, imm8	2	3	3	3	1	2	2	2
PINSRW xmm, r32, imm8	3	2	2	2	1	2	2	2

Table C-3a. Streaming SIMD Extension 2 128-bit Integer Instructions (Contd.)

Instruction	Latency ¹				Throughput			
	06Fn	06En	06Dn	0x69n	06Fn	06En	06Dn	0x69n
CPUID								
PMADDWD xmm, xmm	3	4	4	4	1	2	2	2
PMAX xmm, xmm	1	1	1	1	0.5	1	1	1
PMIN xmm, xmm	1	1	1	1	0.5	1	1	1
PMOVMASK ³ r32, xmm		1	1	4	1	1	1	3
PMULHUW/PMULHW/ PMULLW xmm, xmm	3	4	4	4	1	2	2	2
PMULUDQ mm, mm	3	4	4	4	1	1	1	1
PMULUDQ xmm, xmm	3	8	8	8	1	2	2	2
POR xmm, xmm	1	1	1	1	0.33	1	1	1
PSADBW xmm, xmm	3	7	7	7	1	2	2	2
PSHUFD xmm, xmm, imm8	2	2	2	2	1	2	2	2
PSHUFW xmm, xmm, imm8	1	1	1	1	1	1	1	1
PSHUFLW xmm, xmm, imm8	1	1	1	1	1	1	1	1
PSLLDQ xmm, imm8	3	4	4	4	2	3	3	3
PSLLW/PSLLD/PSLLQ xmm, xmm/imm8	2	2	2	2	1	2	2	2
PSRAW/PSRAD xmm, xmm/imm8	2	2	2	2	1	2	2	2
PSRLDQ xmm, imm8	2		4	4	1		4	4
PSRLW/PSRLD/PSRLQ xmm, xmm/imm8	2	2	2	2	1	2	2	2
PSUBB/PSUBW/PSUBD xmm, xmm	1	1	1	1	0.33	1	1	1
PSUBSB/PSUBSW/PSUBSB/ PSUBSW xmm, xmm	1	1	1	1	0.33	1	1	1
PUNPCKHBW/PUNPCKHWD/P UNPCKHDQ xmm, xmm	2	2	2	2	2	2	2	2
PUNPCKHQDQ xmm, xmm	1	1	1	1	1	1	1	1
PUNPCKLBW/PUNPCKLWD/P UNPCKLDQ xmm, xmm	2	2	2	2	2	2	2	2
PUNPCKLQDQ xmm, xmm	1	1	1	1	1	1	1	1
PXOR xmm, xmm	1	1	1	1	0.33	1	1	1

See Appendix C.3.2, "Table Footnotes"

Table C-4. Streaming SIMD Extension 2 Double-precision Floating-point Instructions

Instruction	Latency ¹			Throughput			Execution Unit ²
	0F3n	0F2n		0F3n	0F2n		
CPUID							0F2n
ADDPD xmm, xmm	5	4		2	2		FP_ADD
ADDSD xmm, xmm	5	4		2	2		FP_ADD
ANDNPD ³ xmm, xmm	4	4		2	2		MMX_ALU
ANDPD ³ xmm, xmm	4	4		2	2		MMX_ALU
CMPPD xmm, xmm, imm8	5	4		2	2		FP_ADD
CMPSD xmm, xmm, imm8	5	4		2	2		FP_ADD
COMISD xmm, xmm	7	6		2	2		FP_ADD, FP_MISC
CVTDQ2PD xmm, xmm	8	8		3	3		FP_ADD, MMX_SHFT
CVTPD2PI mm, xmm	12	11		3	3		FP_ADD, MMX_SHFT, MMX_ALU
CVTPD2DQ xmm, xmm	10	9		2	2		FP_ADD, MMX_SHFT
CVTPD2PS ³ xmm, xmm	11	10		2	2		FP_ADD, MMX_SHFT
CVTPI2PD xmm, mm	12	11		2	4		FP_ADD, MMX_SHFT, MMX_ALU
CVTPS2PD ³ xmm, xmm	3	2			2		FP_ADD, MMX_SHFT, MMX_ALU
CVTSD2SI r32, xmm	9	8		2	2		FP_ADD, FP_MISC
CVTSD2SS ³ xmm, xmm	17	16		2	4		FP_ADD, MMX_SHFT
CVTSI2SD ³ xmm, r32	16	15		2	3		FP_ADD, MMX_SHFT, MMX_MISC
CVTSS2SD ³ xmm, xmm	9	8		2	2		
CVTTPD2PI mm, xmm	12	11		3	3		FP_ADD, MMX_SHFT, MMX_ALU

Table C-4. Streaming SIMD Extension 2 Double-precision Floating-point Instructions (Contd.)

Instruction	Latency ¹			Throughput			Execution Unit ²
	OF3n	OF2n		OF3n	OF2n		
CVTTPD2DQ xmm, xmm	10	9		2	2		FP_ADD, MMX_SHFT
CVTTSD2SI r32, xmm	8	8		2	2		FP_ADD, FP_MISC
DIVPD xmm, xmm	70	69		70	69		FP_DIV
DIVSD xmm, xmm	39	38		39	38		FP_DIV
MAXPD xmm, xmm	5	4		2	2		FP_ADD
MAXSD xmm, xmm	5	4		2	2		FP_ADD
MINPD xmm, xmm	5	4		2	2		FP_ADD
MINSD xmm, xmm	5	4		2	2		FP_ADD
MOVAPD xmm, xmm	6	6		1	1		FP_MOVE
MOVMSKPD r32, xmm	6	6		2	2		FP_MISC
MOVSD xmm, xmm	6	6		2	2		MMX_SHFT
MOVUPD xmm, xmm	6	6		1	1		FP_MOVE
MULPD xmm, xmm	7	6		2	2		FP_MUL
MULSD xmm, xmm	7	6		2	2		FP_MUL
ORPD ³ xmm, xmm	4	4		2	2		MMX_ALU
SHUFPD ³ xmm, xmm, imm8	6	6		2	2		MMX_SHFT
SQRTPD xmm, xmm	70	69		70	69		FP_DIV
SQRTSD xmm, xmm	39	38		39	38		FP_DIV
SUBPD xmm, xmm	5	4		2	2		FP_ADD
SUBSD xmm, xmm	5	4		2	2		FP_ADD
UCOMISD xmm, xmm	7	6		2	2		FP_ADD, FP_MISC
UNPCKHPD xmm, xmm	6	6		2	2		MMX_SHFT
UNPCKLPD ³ xmm, xmm	4	4		2	2		MMX_SHFT
XORPD ³ xmm, xmm	4	4		2	2		MMX_ALU

See Appendix C.3.2, "Table Footnotes"

Table C-4a. Streaming SIMD Extension 2 Double-precision Floating-point Instructions

Instruction	Latency ¹				Throughput			
	06Fn	06En	06Dn	069n	06Fn	06En	06Dn	069n
ADDPD xmm, xmm	3	4	4	4	1	2	2	2
ADDSD xmm, xmm	3	3	3	3	1	1	1	1
ANDNPD xmm, xmm	1	1	1	1	1	1	1	1
ANDPD xmm, xmm	1	1	1	1	1	1	1	1
CMPPD xmm, xmm, imm8	3	4	4	4	1	2	2	2
CMPSD xmm, xmm, imm8	3	3	3	3	1	1	1	1
COMISD xmm, xmm	1	1	1	1	1	1	1	1
CVTDQ2PD xmm, xmm				5	1			4
CVTDQ2PS xmm, xmm	4				1			
CVTPD2PI mm, xmm				5	1			3
CVTPD2DQ xmm, xmm	4			5	1			3
CVTPD2PS xmm, xmm	4	5	3	3	1	2	2	2
CVTPI2PD xmm, mm	4	5	5	5	1			4
CVT[T]PS2DQ xmm, xmm	3				1			
CVTPS2PD xmm, xmm	2	3	3	3	2	3	3	3
CVTSD2SI r32, xmm	3	4	4	4	1	1	1	1
CVT[T]SD2SI r64, xmm	3	N/A	N/A	N/A	1	N/A	N/A	N/A
CVTSD2SS xmm, xmm	4	4	4	4	1	1	1	1
CVTSI2SD xmm, r32		4	4	4	1	1	1	1
CVTSI2SD xmm, r64	4	N/A	N/A	N/A	1	N/A	N/A	N/A
CVTSS2SD xmm, xmm	2	2	2	2	2	2	2	2
CVTTPD2PI mm, xmm		5	5	5	1			3
CVTTPD2DQ xmm, xmm	4				1			
CVTTSD2SI r32, xmm	3	4	4	4	1	1	1	1
DIVPD xmm, xmm	18	63	63	63	17	62	62	62
DIVSD xmm, xmm	18	32	32	32	17	31	31	31
MAXPD xmm, xmm	3	4	4	4	1	2	2	2
MAXSD xmm, xmm	3	3	3	3	1	1	1	1
MINPD xmm, xmm	3	4	4	4	1	2	2	2
MINSD xmm, xmm	3	3	3	3	1	1	1	1

Table C-4a. Streaming SIMD Extension 2 Double-precision Floating-point Instructions (Contd.)

Instruction	Latency ¹				Throughput			
	06Fn	06En	06Dn	069n	06Fn	06En	06Dn	069n
MOVAPD xmm, xmm	1	1	1	1	0.33	1	1	1
MOVMSKPD r32, xmm	1	1	1	1	1	1	1	1
MOVMSKPD r64, xmm	1	N/A	N/A	N/A	1	N/A	N/A	N/A
MOVSD xmm, xmm	1	1	1	1	0.33	0.5	0.5	0.5
MOVUPD xmm, xmm	1	1	1	1	0.5	1	1	1
MULPD xmm, xmm	5	7	7	7	1	4	4	4
MULSD xmm, xmm	5	5	5	5	1	2	2	2
ORPD xmm, xmm	1	1	1	1	1	1	1	1
SHUFPD xmm, xmm, imm8	1	2	2	2	1	2	2	2
SQRTPD xmm, xmm	29	115	115	115	28	114	114	114
SQRTSD xmm, xmm	29	58	58	58	28	57	57	57
SUBPD xmm, xmm	3	4	4	4	1	2	2	2
SUBSD xmm, xmm	3	3	3	3	1	1	1	1
UCOMISD xmm, xmm	1			1	1	1	1	1
UNPCKHPD xmm, xmm	1			1	1	1	1	1
UNPCKLPD xmm, xmm	1			1	1	1	1	1
XORPD ³ xmm, xmm	1			1	1	1	1	1

See Appendix C.3.2, "Table Footnotes"

Table C-5. Streaming SIMD Extension Single-precision Floating-point Instructions

Instruction	Latency ¹			Throughput		Execution Unit ²
	0F3n	0F2n		0F3n	0F2n	0F2n
ADDPS xmm, xmm	5	4		2	2	FP_ADD
ADDSS xmm, xmm	5	4		2	2	FP_ADD
ANDNPS ³ xmm, xmm	4	4		2	2	MMX_ALU
ANDPS ³ xmm, xmm	4	4		2	2	MMX_ALU
CMPPS xmm, xmm	5	4		2	2	FP_ADD
CMPSS xmm, xmm	5	4		2	2	FP_ADD
COMISS xmm, xmm	7	6		2	2	FP_ADD,FP_MISC

**Table C-5. Streaming SIMD Extension Single-precision
Floating-point Instructions (Contd.)**

Instruction	Latency ¹			Throughput			Execution Unit ²
	OF3n	OF2n		OF3n	OF2n		
CVTPI2PS xmm, mm	12	11		2	4		MMX_ALU,FP_ADD,MMX_SHFT
CVTSS2PI mm, xmm	8	7		2	2		FP_ADD,MMX_ALU
CVTSS2SI ³ xmm, r32	12	11		2	2		FP_ADD,MMX_SHFT, MMX_MISC
CVTSS2SI r32, xmm	9	8		2	2		FP_ADD,FP_MISC
CVTSS2PI mm, xmm	8	7		2	2		FP_ADD,MMX_ALU
CVTSS2SI r32, xmm	9	8		2	2		FP_ADD,FP_MISC
DIVPS xmm, xmm	40	39		40	39		FP_DIV
DIVSS xmm, xmm	32	23		32	23		FP_DIV
MAXPS xmm, xmm	5	4		2	2		FP_ADD
MAXSS xmm, xmm	5	4		2	2		FP_ADD
MINPS xmm, xmm	5	4		2	2		FP_ADD
MINSS xmm, xmm	5	4		2	2		FP_ADD
MOVAPS xmm, xmm	6	6		1	1		FP_MOVE
MOVHLPS ³ xmm, xmm	6	6		2	2		MMX_SHFT
MOVLHPS ³ xmm, xmm	4	4		2	2		MMX_SHFT
MOVMSKPS r32, xmm	6	6		2	2		FP_MISC
MOVSS xmm, xmm	4	4		2	2		MMX_SHFT
MOVUPS xmm, xmm	6	6		1	1		FP_MOVE
MULPS xmm, xmm	7	6		2	2		FP_MUL
MULSS xmm, xmm	7	6		2	2		FP_MUL
ORPS ³ xmm, xmm	4	4		2	2		MMX_ALU
RCPPS ³ xmm, xmm	6	6		4	4		MMX_MISC
RCPSS ³ xmm, xmm	6	6		2	2		MMX_MISC, MMX_SHFT
RSQRTPS ³ xmm, xmm	6	6		4	4		MMX_MISC

Table C-5. Streaming SIMD Extension Single-precision Floating-point Instructions (Contd.)

Instruction	Latency ¹			Throughput			Execution Unit ²
	0F3n	0F2n		0F3n	0F2n		
CPUID							0F2n
RSQRTSS ³ xmm, xmm	6	6		4	4		MMX_MISC, MMX_SHFT
SHUFPS ³ xmm, xmm, imm8	6	6		2	2		MMX_SHFT
SQRTPS xmm, xmm	40	39		40	39		FP_DIV
SQRTSS xmm, xmm	32	23		32	23		FP_DIV
SUBPS xmm, xmm	5	4		2	2		FP_ADD
SUBSS xmm, xmm	5	4		2	2		FP_ADD
UCOMISS xmm, xmm	7	6		2	2		FP_ADD, FP_MISC
UNPCKHPS ³ xmm, xmm	6	6		2	2		MMX_SHFT
UNPCKLPS ³ xmm, xmm	4	4		2	2		MMX_SHFT
XORPS ³ xmm, xmm	4	4		2	2		MMX_ALU
FXRSTOR		150					
FXSAVE		100					

See Appendix C.3.2

Table C-5a. Streaming SIMD Extension Single-precision Floating-point Instructions

Instruction	Latency ¹				Throughput			
	0x6Fn	0x6En	0x6Dn	0x69n	0x6Fn	0x6En	0x6Dn	0x69n
ADDPS xmm, xmm	3	4	4	4	1	2	2	2
ADDSS xmm, xmm	3	3	3	3	1	1	1	1
ANDNPS xmm, xmm	1			2	1			2
ANDPS xmm, xmm	1			2	1			2
CMPPS xmm, xmm	3	4	4	4	1	2	2	2
CMPSS xmm, xmm	3	3	3	3	1	1	1	1
COMISS xmm, xmm	1	1	1	1	1	1	1	1
CVTPI2PS xmm, mm	3	3	3	3	1	1	1	1
CVTPS2PI mm, xmm	3			3	1			1

Table C-5a. Streaming SIMD Extension Single-precision Floating-point Instructions (Contd.)

Instruction	Latency ¹				Throughput			
	0x6Fn	0x6En	0x6Dn	0x69n	0x6Fn	0x6En	0x6Dn	0x69n
CVTSI2SS xmm, r32	4			4	1			2
CVTSS2SI r32, xmm	3	4	4	4	1	1	1	1
CVT[T]SS2SI r64, xmm	4	N/A	N/A	N/A	1	N/A	N/A	N/A
CVTTPS2PI mm, xmm	3	3	3	3	1	1	1	1
CVTTSS2SI r32, xmm	3	4	4	4	1	1	1	1
DIVPS xmm, xmm	18	35	35	35	17	34	34	34
DIVSS xmm, xmm	18	18	18	18	17	17	17	17
MAXPS xmm, xmm	3	4	4	4	1	2	2	2
MAXSS xmm, xmm	3	3	3	3	1	1	1	1
MINPS xmm, xmm	3	4	4	4	1	2	2	2
MINSS xmm, xmm	3	3	3	3	1	1	1	1
MOVAPS xmm, xmm	1	1	1	1	0.33	1	1	1
MOVHLPs xmm, xmm	1	1	1	1	1	0.5	0.5	0.5
MOVLHPS xmm, xmm	1	1	1	1	1	0.5	0.5	0.5
MOVMSKPS r32, xmm	1	1	1	1	1	1	1	1
MOVMSKPS r64, xmm	1	N/A	N/A	N/A	1	N/A	N/A	N/A
MOVSS xmm, xmm	1	1	1	1	0.33	0.5	0.5	0.5
MOVUPS xmm, xmm	1	1	1	1	0.5	1	1	1
MULPS xmm, xmm	4	5	5	5	1	2	2	2
MULSS xmm, xmm	4	4	4	4	1	1	1	1
ORPS xmm, xmm	1			2	0.33			2
RCPPS xmm, xmm	3			2	1			2
RCPSS xmm, xmm	3			1	1			1
RSQRTPS xmm, xmm	3			2	2			2
RSQRTSS xmm, xmm	3				2			1
SHUFPS xmm, xmm, imm8	2			2	1			2
SQRTPS xmm, xmm	29			29+28	28			58
SQRTSS xmm, xmm	29			30	28			29
SUBPS xmm, xmm	3			4	1			2
SUBSS xmm, xmm	3			3	1			1

Table C-5a. Streaming SIMD Extension Single-precision Floating-point Instructions (Contd.)

Instruction	Latency ¹				Throughput			
	0x6Fn	0x6En	0x6Dn	0x69n	0x6Fn	0x6En	0x6Dn	0x69n
CPUID								
UCOMISS xmm, xmm	1			1	1			1
UNPCKHPS xmm, xmm	2			3	1			2
UNPCKLPS xmm, xmm	2			3	1			2
XORPS xmm, xmm	1			2	0.33			2
FXRSTOR								
FXSAVE								

See Appendix C.3.2, "Table Footnotes"

Table C-6. Streaming SIMD Extension 64-bit Integer Instructions

Instruction	Latency ¹		Throughput		Execution Unit
	0F3n	0F2n	0F3n	0F2n	
PAVGB/PAVGW mm, mm	2	2	1	1	MMX_ALU
PEXTRW r32, mm, imm8	7	7	2	2	MMX_SHFT, FP_MISC
PINSRW mm, r32, imm8	4	4	1	1	MMX_SHFT, MMX_MISC
PMAX mm, mm	2	2	1	1	MMX_ALU
PMIN mm, mm	2	2	1	1	MMX_ALU
PMOVMASK ³ r32, mm	7	7	2	2	FP_MISC
PMULHUW ³ mm, mm	9	8	1	1	FP_MUL
PSADBW mm, mm	4	4	1	1	MMX_ALU
PSHUFW mm, mm, imm8	2	2	1	1	MMX_SHFT

See Appendix C.3.2, "Table Footnotes"

Table C-6a. Streaming SIMD Extension 64-bit Integer Instructions

Instruction	Latency ¹				Throughput			
	0x6Fn	0x6En	0x6Dn	0x69n	0x6Fn	0x6En	0x6Dn	0x69n
MASKMOVQ mm, mm	3				1			
PAVGB/PAVGW mm, mm	1	1	1	1	0.5	0.5	0.5	0.5
PEXTRW r32, mm, imm8	2*	2	2	2	1	1	1	1

Table C-6a. Streaming SIMD Extension 64-bit Integer Instructions (Contd.)

Instruction	Latency ¹				Throughput			
	0x6Fn	0x6En	0x6Dn	0x69n	0x6Fn	0x6En	0x6Dn	0x69n
PINSRW mm, r32, imm8	1	1	1	1	1	1	1	1
PMAX mm, mm	1	1	1	1	0.5	0.5	0.5	0.5
PMIN mm, mm	1	1	1	1	0.5	0.5	0.5	0.5
PMOVMSKB r32, mm		1	1	1	1	1	1	1
PMULHUW mm, mm	3	3	3	3	1	1	1	1
PSADBW mm, mm	3	5	5	5	1	2	2	2
PSHUFW mm, mm, imm8	1	1	1	1	1	1	1	1
See Appendix C.3.2, "Table Footnotes"								

Table C-7. MMX Technology 64-bit Instructions

Instruction	Latency ¹		Throughput		Execution Unit ²
	0F3n	0F2n	0f3n	0F2n	0F2n
MOVD mm, r32	2	2	1	1	MMX_ALU
MOVD ³ r32, mm	5	5	1	1	FP_MISC
MOVQ mm, mm	6	6	1	1	FP_MOV
PACKSSWB/PACKSSDW/PACKUSWB mm, mm	2	2	1	1	MMX_SHFT
PADDB/PADDW/PADDD mm, mm	2	2	1	1	MMX_ALU
PADDSB/PADDSW/PADDUSB/PADDUSW mm, mm	2	2	1	1	MMX_ALU
PAND mm, mm	2	2	1	1	MMX_ALU
PANDN mm, mm	2	2	1	1	MMX_ALU
PCMPEQB/PCMPEQD/PCMPEQW mm, mm	2	2	1	1	MMX_ALU
PCMPGTB/PCMPGTD/PCMPGTW mm, mm	2	2	1	1	MMX_ALU
PMADDWD ³ mm, mm	9	8	1	1	FP_MUL
PMULHW/PMULLW ³ mm, mm	9	8	1	1	FP_MUL
POR mm, mm	2	2	1	1	MMX_ALU

Table C-7. MMX Technology 64-bit Instructions (Contd.)

Instruction	Latency ¹		Throughput		Execution Unit ²
	0F3n	0F2n	0f3n	0F2n	
PSLLQ/PSLLW/ PSLLD mm, mm/imm8	2	2	1	1	MMX_SHFT
PSRAW/PSRAD mm, mm/imm8	2	2	1	1	MMX_SHFT
PSRLQ/PSRLW/PSRLD mm, mm/imm8	2	2	1	1	MMX_SHFT
PSUBB/PSUBW/PSUBD mm, mm	2	2	1	1	MMX_ALU
PSUBSB/PSUBSW/PSUBU SB/PSUBUSW mm, mm	2	2	1	1	MMX_ALU
PUNPCKHBW/PUNPCKHW D/PUNPCKHDQ mm, mm	2	2	1	1	MMX_SHFT
PUNPCKLBW/PUNPCKLW D/PUNPCKLDQ mm, mm	2	2	1	1	MMX_SHFT
PXOR mm, mm	2	2	1	1	MMX_ALU
EMMS ¹		12		12	

See Appendix C.3.2, "Table Footnotes"

Table C-8. MMX Technology 64-bit Instructions

Instruction	Latency ¹				Throughput			
	0x6Fn	0x6En	0x6Dn	0x69n	06Fn	06En	0x6Dn	0x69n
MOVD mm, r32	1	1	1	1	0.5	0.5	0.5	0.5
MOVD r32, mm	1	1	1	1	0.33	0.5	0.5	0.5
MOVQ mm, mm	1	1	1	1	0.5	0.5	0.5	0.5
PACKSSWB/PACKSSDW/PA CKUSWB mm, mm	1	1	1	1	1	1	1	1
PADDB/PADDW/PADD mm, mm	1	1	1	1	0.33	1	1	1
PADDSB/PADDSW /PADDUSB/PADDUSW mm, mm	1	1	1	1	0.33	1	1	1
PAND mm, mm	1	1	1	1	0.33	0.5	0.5	0.5
PANDN mm, mm	1	1	1	1	0.33	0.5	0.5	0.5

Table C-8. MMX Technology 64-bit Instructions (Contd.)

Instruction	Latency ¹				Throughput			
	0x6Fn	0x6En	0x6Dn	0x69n	06Fn	06En	0x6Dn	0x69n
PCMPEQB/PCMPEQD PCMPEQW mm, mm	1	1	1	1	0.33	0.5	0.5	0.5
PCMPGTB/PCMPGTD/ PCMPGTW mm, mm	1	1	1	1	0.33	0.5	0.5	0.5
PMADDWD mm, mm	3	3	3	3	1	1	1	1
PMULHW/PMULLW ³ mm, mm	3	3	3	3	1	1	1	1
POR mm, mm	1	1	1	1	0.33	0.5	0.5	0.5
PSLLQ/PSLLW/ PSLLD mm, mm/imm8	1	1	1	1	1	1	1	1
PSRAW/PSRAD mm, mm/imm8	1	1	1	1	1	1	1	1
PSRLQ/PSRLW/PSRLD mm, mm/imm8	1	1	1	1	1	1	1	1
PSUBB/PSUBW/PSUBD mm, mm	1	1	1	1	0.33	0.5	0.5	0.5
PSUBSB/PSUBSW/PSUBU SB/PSUBUSW mm, mm	1	1	1	1	0.33	0.5	0.5	0.5
PUNPCKHBW/PUNPCKHW D/PUNPCKHDQ mm, mm	1	1	1	1	1	1	1	1
PUNPCKLBW/PUNPCKLWD /PUNPCKLDQ mm, mm	1	1	1	1	1	1	1	1
PXOR mm, mm	1	1	1	1	0.33	0.5	0.5	0.5
EMMS ¹		6	6	6		5	5	5

See Appendix C.3.2, "Table Footnotes"

Table C-9. x87 Floating-point Instructions

Instruction	Latency ¹		Throughput		Execution Unit ²
	0F3n	0F2n	0F3n	0F2n	0F2n
FABS	3	2	1	1	FP_MISC
FADD	6	5	1	1	FP_ADD
FSUB	6	5	1	1	FP_ADD
FMUL	8	7	2	2	FP_MUL
FCOM	3	2	1	1	FP_MISC

Table C-9. x87 Floating-point Instructions (Contd.)

Instruction	Latency ¹		Throughput		Execution Unit ²
	0F3n	0F2n	0F3n	0F2n	
CPUID					
FCHS	3	2	1	1	FP_MISC
FDIV Single Precision	30	23	30	23	FP_DIV
FDIV Double Precision	40	38	40	38	FP_DIV
FDIV Extended Precision	44	43	44	43	FP_DIV
FSQRT SP	30	23	30	23	FP_DIV
FSQRT DP	40	38	40	38	FP_DIV
FSQRT EP	44	43	44	43	FP_DIV
F2XM1 ⁴	100- 200	90- 150		60	
FCOS ⁴	180- 280	190- 240		130	
FPATAN ⁴	220- 300	150- 300		140	
FPTAN ⁴	240- 300	225- 250		170	
FSIN ⁴	160- 200	160- 180		130	
FSINCOS ⁴	170- 250	160- 220		140	
FYL2X ⁴	100- 250	140- 190		85	
FYL2XP1 ⁴		140- 190		85	
FSCALE ⁴		60		7	
FRNDINT ⁴		30		11	
FXCH ⁵		0		1	FP_MOVE
FLDZ ⁶		0			
FINCSTP/FDECSTP ⁶		0			

See Appendix C.3.2, "Table Footnotes"

Table C-9a. x87 Floating-point Instructions

Instruction	Latency ¹				Throughput			
	0x6Fn	0x6En	0x6Dn	0x69n	0x6Fn	0x6En	0x6Dn	0x69n
FABS	1	1	1	1	1	1	1	1
FADD	3	3	3	3		1	1	1
FSUB	3	3	3	3	1	1	1	1
FMUL	5	5	5	5	2	2	2	2
FCOM	1	1	1	1	1	1	1	1
FCHS								
FDIV Single Precision	32				32			
FDIV Double Precision	32				32			
FDIV Extended Precision								
FSQRT	58	58	58	58	58	58	58	58
F2XM1 ⁴		69	69	69		67	67	67
FCOS ⁴		119	119	119		117	117	117
FPATAN ⁴		147	147	147		147	147	147
FPTAN ⁴		123	123	123		83	83	83
FSIN ⁴		119	119	119		116	116	116
FSINCOS ⁴		119	119	119		85	85	85
FYL2X ⁴		96	96	96		92	92	92
FYL2XP1 ⁴		98	98	98		93	93	93
FSCALE ⁴		17	17	17		15	15	15
FRNDINT ⁴		21	21	21		20	20	20
FXCH ⁵								
FLDZ ⁶	1	1	1	1	1	1	1	1
FINCSTP/FDECSTP ⁶		1	1	1		1	1	1

See Appendix C.3.2, "Table Footnotes"

Table C-10. General Purpose Instructions

Instruction	Latency ¹		Throughput		Execution Unit ²
	0F3n	0F2n	0F3n	0F2n	
ADC/SBB reg, reg	8	8	3	3	
ADC/SBB reg, imm	8	6	2	2	ALU
ADD/SUB	1	0.5	0.5	0.5	ALU

Table C-10. General Purpose Instructions (Contd.)

Instruction	Latency ¹		Throughput		Execution Unit ²
	OF3n	OF2n	OF3n	OF2n	
CPUID					OF2n
AND/OR/XOR	1	0.5	0.5	0.5	ALU
BSF/BSR	16	8	2	4	
BSWAP	1	7	0.5	1	ALU
BTC/BTR/BTS	8-9		1		
CLI				26	
CMP/TEST	1	0.5	0.5	0.5	ALU
DEC/INC	1	1	0.5	0.5	ALU
IMUL r32	10	14	1	3	FP_MUL
IMUL imm32		14	1	3	FP_MUL
IMUL		15-18		5	
IDIV	66-80	56-70	30	23	
IN/OUT ¹		<225		40	
Jcc ⁷		Not Applicable		0.5	ALU
LOOP		8		1.5	ALU
MOV	1	0.5	0.5	0.5	ALU
MOVSB/MOVSb	1	0.5	0.5	0.5	ALU
MOVZB/MOVZb	1	0.5	0.5	0.5	ALU
NEG/NOT/NOP	1	0.5	0.5	0.5	ALU
POP r32		1.5		1	MEM_LOAD, ALU
PUSH		1.5		1	MEM_STORE, ALU
RCL/RCR reg, 1 ⁸	6	4	1	1	
ROL/ROR	1	4	0.5	1	
RET		8		1	MEM_LOAD, ALU
SAHF	1	0.5	0.5	0.5	ALU
SAL/SAR/SHL/SHR	1	4	0.5	1	
SCAS		4		1.5	ALU, MEM_LOAD
SETcc		5		1.5	ALU

Table C-10. General Purpose Instructions (Contd.)

Instruction	Latency ¹		Throughput		Execution Unit ²
	0F3n	0F2n	0F3n	0F2n	
STI				36	
STOSB		5		2	ALU, MEM_STORE
XCHG	1.5	1.5	1	1	ALU
CALL		5		1	ALU, MEM_STORE
MUL	10	14-18	1	5	
DIV	66-80	56-70	30	23	

See Appendix C.3.2, "Table Footnotes"

Table C-10a. General Purpose Instructions

Instruction	Latency ¹				Throughput			
	0x6Fn	0x6En	0x6Dn	0x69n	0x6Fn	0x6En	0x6Dn	0x69n
ADC/SBB reg, reg	2	2	2	2	0.33	2	2	2
ADC/SBB reg, imm	2	1	1	1	0.33	0.5	0.5	0.5
ADD/SUB	1	1	1	1	0.33	0.5	0.5	0.5
AND/OR/XOR	1	1	1	1	0.33	0.5	0.5	0.5
BSF/BSR	2	2	2	2	1	1	1	1
BSWAP	2	2	2	2	0.5	1	1	1
BT	1				0.33			
BTC/BTR/BTS	1	1	1	1	0.33	0.5	0.5	0.5
CBW	1				0.33			
CLC/CMC	1				0.33			
CLI	9	11	11	11	9	11	11	11
CMOV	2				0.5			
CMP/TEST	1	1	1	1	0.5	0.5	0.5	0.5
DEC/INC	1	1	1	1	0.33	0.5	0.5	0.5
IMUL r32	3	4	4	4	0.5	1	1	1
IMUL imm32	3	4	4	4	0.5	1	1	1
IDIV	22	22		38	22	22		38
MOVS/MOVSW	1	1	1	1	0.33	0.5	0.5	0.5

Table C-10a. General Purpose Instructions (Contd.)

Instruction	Latency ¹				Throughput			
	0x6Fn	0x6En	0x6Dn	0x69n	0x6Fn	0x6En	0x6Dn	0x69n
CPUID								
MOVZB/MOVZW	1	1	1	1	0.33	0.5	0.5	0.5
NEG/NOT/NOP	1	1	1	1	0.33	0.5	0.5	0.5
PUSH	3	3	3	3	1	1	1	1
RCL/RCR		1	1	1		1	1	1
ROL/ROR	1	1	1	1	0.33	1	1	1
SAHF	1	1	1	1	0.33	0.5	0.5	0.5
SAL/SAR/SHL/SHR	1				0.33			
SETcc	1	1	1	1	0.33	0.5	0.5	0.5
XCHG	3	2	2	2	1	1	1	1

See Appendix C.3.2, "Table Footnotes"

C.3.2 Table Footnotes

The following footnotes refer to all tables in this appendix.

- Latency information for many instructions that are complex ($> 4 \mu\text{ops}$) are estimates based on conservative (worst-case) estimates. Actual performance of these instructions by the out-of-order core execution unit can range from somewhat faster to significantly faster than the latency data shown in these tables.
- The names of execution units apply to processor implementations of the Intel NetBurst microarchitecture with a CPUID signature of family 15, model encoding = 0, 1, 2. They include: ALU, FP_EXECUTE, FPMOVE, MEM_LOAD, MEM_STORE. See Figure 2-5 for execution units and ports in the out-of-order core. Note the following:
 - The FP_EXECUTE unit is actually a cluster of execution units, roughly consisting of seven separate execution units.
 - The FP_ADD unit handles x87 and SIMD floating-point add and subtract operation.
 - The FP_MUL unit handles x87 and SIMD floating-point multiply operation.
 - The FP_DIV unit handles x87 and SIMD floating-point divide square-root operations.
 - The MMX_SHFT unit handles shift and rotate operations.
 - The MMX_ALU unit handles SIMD integer ALU operations.
 - The MMX_MISC unit handles reciprocal MMX computations and some integer operations.

INSTRUCTION LATENCY AND THROUGHPUT

- The FP_MISC designates other execution units in port 1 that are separated from the six units listed above.
- 3. It may be possible to construct repetitive calls to some Intel 64 and IA-32 instructions in code sequences to achieve latency that is one or two clock cycles faster than the more realistic number listed in this table.
- 4. Latency and Throughput of transcendental instructions can vary substantially in a dynamic execution environment. Only an approximate value or a range of values are given for these instructions.
- 5. The FXCH instruction has 0 latency in code sequences. However, it is limited to an issue rate of one instruction per clock cycle.
- 6. The load constant instructions, FINCSTP, and FDECSTP have 0 latency in code sequences.
- 7. Selection of conditional jump instructions should be based on the recommendation of section Section 3.4.1, “Branch Prediction Optimization,” to improve the predictability of branches. When branches are predicted successfully, the latency of jcc is effectively zero.
- 8. RCL/RCR with shift count of 1 are optimized. Using RCL/RCR with shift count other than 1 will be executed more slowly. This applies to the Pentium 4 and Intel Xeon processors.

C.3.3 Latency and Throughput with Memory Operands

Typically, instructions with a memory address as the source operand, add one more μop to the “reg, reg” instructions. However, the throughput in most cases remains the same because the load operation utilizes port 2 without affecting port 0 or port 1.

Many instructions accept a memory address as either the source operand or as the destination operand. The former is commonly referred to as a load operation, while the latter a store operation.

The latency for instructions that perform either a load or a store operation are typically longer than the latency of corresponding register-to-register type of the same instructions. This is because load or store operations require access to the cache hierarchy and, in some cases, the memory sub-system.

For the sake of simplicity, all data being requested is assumed to reside in the first level data cache (cache hit). In general, instructions with load operations that execute in the integer ALU units require two more clock cycles than the corresponding register-to-register flavor of the same instruction. Throughput of these instructions with load operation remains the same with the register-to-register flavor of the instructions.

Floating-point, MMX technology, Streaming SIMD Extensions and Streaming SIMD Extension 2 instructions with load operations require 6 more clocks in latency than the register-only version of the instructions, but throughput remains the same.

When store operations are on the critical path, their results can generally be forwarded to a dependent load in as few as zero cycles. Thus, the latency to complete and store isn't relevant here.

INSTRUCTION LATENCY AND THROUGHPUT

APPENDIX D

STACK ALIGNMENT

This appendix details on the alignment of the stacks of data for Streaming SIMD Extensions and Streaming SIMD Extensions 2.

D.4 STACK FRAMES

This section describes the stack alignment conventions for both ESP-based (normal), and EBP-based (debug) stack frames. A stack frame is a contiguous block of memory allocated to a function for its local memory needs. It contains space for the function's parameters, return address, local variables, register spills, parameters needing to be passed to other functions that a stack frame may call, and possibly others. It is typically delineated in memory by a stack frame pointer (ESP) that points to the base of the frame for the function and from which all data are referenced via appropriate offsets. The convention on Intel 64 and IA-32 is to use the ESP register as the stack frame pointer for normal optimized code, and to use EBP in place of ESP when debug information must be kept. Debuggers use the EBP register to find the information about the function via the stack frame.

It is important to ensure that the stack frame is aligned to a 16-byte boundary upon function entry to keep local `__m128` data, parameters, and XMM register spill locations aligned throughout a function invocation. The Intel C++ Compiler for Win32* Systems supports conventions presented here help to prevent memory references from incurring penalties due to misaligned data by keeping them aligned to 16-byte boundaries. In addition, this scheme supports improved alignment for `__m64` and double type data by enforcing that these 64-bit data items are at least eight-byte aligned (they will now be 16-byte aligned).

For variables allocated in the stack frame, the compiler cannot guarantee the base of the variable is aligned unless it also ensures that the stack frame itself is 16-byte aligned. Previous software conventions, as implemented in most compilers, only ensure that individual stack frames are 4-byte aligned. Therefore, a function called from a Microsoft-compiled function, for example, can only assume that the frame pointer it used is 4-byte aligned.

Earlier versions of the Intel C++ Compiler for Win32 Systems have attempted to provide 8-byte aligned stack frames by dynamically adjusting the stack frame pointer in the prologue of main and preserving 8-byte alignment of the functions it compiles. This technique is limited in its applicability for the following reasons:

- The main function must be compiled by the Intel C++ Compiler.
- There may be no functions in the call tree compiled by some other compiler (as might be the case for routines registered as callbacks).
- Support is not provided for proper alignment of parameters.

STACK ALIGNMENT

The solution to this problem is to have the function's entry point assume only 4-byte alignment. If the function has a need for 8-byte or 16-byte alignment, then code can be inserted to dynamically align the stack appropriately, resulting in one of the stack frames shown in Figure D-1.

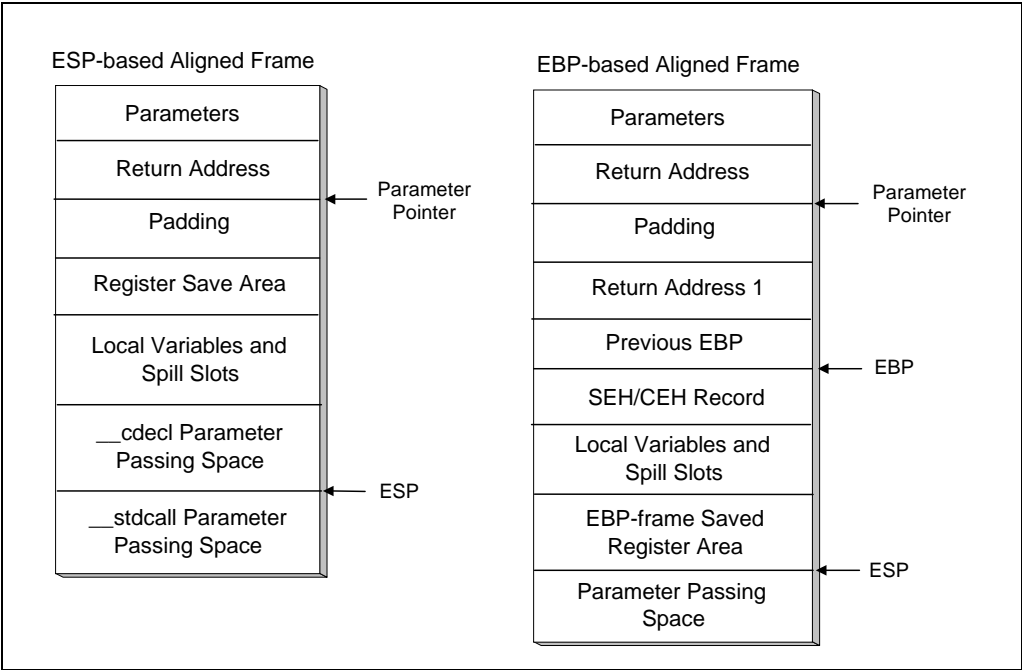


Figure D-1. Stack Frames Based on Alignment Type

As an optimization, an alternate entry point can be created that can be called when proper stack alignment is provided by the caller. Using call graph profiling of the VTune analyzer, calls to the normal (unaligned) entry point can be optimized into calls to the (alternate) aligned entry point when the stack can be proven to be properly aligned. Furthermore, a function alignment requirement attribute can be modified throughout the call graph so as to cause the least number of calls to unaligned entry points.

As an example of this, suppose function F has only a stack alignment requirement of 4, but it calls function G at many call sites, and in a loop. If G's alignment requirement is 16, then by promoting F's alignment requirement to 16, and making all calls to G go to its aligned entry point, the compiler can minimize the number of times that control passes through the unaligned entry points. Example D-1 and Example D-2 in the following sections illustrate this technique. Note the entry points `foo` and `foo.aligned`; the latter is the alternate aligned entry point.

D.4.1 Aligned ESP-Based Stack Frames

This section discusses data and parameter alignment and the `declspec(align)` extended attribute, which can be used to request alignment in C and C++ code. In creating ESP-based stack frames, the compiler adds padding between the return address and the register save area as shown in Example 4-13. This frame can be used only when debug information is not requested, there is no need for exception handling support, inlined assembly is not used, and there are no calls to `alloca` within the function.

If the above conditions are not met, an aligned EDP-based frame must be used. When using this type of frame, the sum of the sizes of the return address, saved registers, local variables, register spill slots, and parameter space must be a multiple of 16 bytes. This causes the base of the parameter space to be 16-byte aligned. In addition, any space reserved for passing parameters for `stdcall` functions also must be a multiple of 16 bytes. This means that the caller needs to clean up some of the stack space when the size of the parameters pushed for a call to a `stdcall` function is not a multiple of 16. If the caller does not do this, the stack pointer is not restored to its pre-call value.

In Example D-1, we have 12 bytes on the stack after the point of alignment from the caller: the return pointer, EBX and EDX. Thus, we need to add four more to the stack pointer to achieve alignment. Assuming 16 bytes of stack space are needed for local variables, the compiler adds $16 + 4 = 20$ bytes to ESP, making ESP aligned to a 0 mod 16 address.

Example D-1. Aligned esp-Based Stack Frame

```
void _cdecl foo (int k)
{
  int j;
  foo:           // See Note A below
    push  ebx
    mov   ebx, esp

    sub   esp, 0x00000008
    and   esp, 0xfffff0
    add   esp, 0x00000008
    jmp   common
foo.aligned:
  push  ebx
  mov   ebx, esp
```

Example D-1. Aligned esp-Based Stack Frame (Contd.)

```

common:                // See Note B below
    push    edx
    sub     esp, 20
    j = k;
    mov     edx, [ebx + 8]
    mov     [esp + 16], edx

foo(5);
    mov     [esp], 5
    call   foo.aligned
return j;
    mov     eax, [esp + 16]
    add     esp, 20
    pop     edx
    mov     esp, ebx
    pop     ebx
    ret

// NOTES:
// (A) Aligned entry points assume that parameter block beginnings are aligned. This places the
// stack pointer at a 12 mod 16 boundary, as the return pointer has been pushed. Thus, the
// unaligned entry point must force the stack pointer to this boundary
// (B) The code at the common label assumes the stack is at an 8 mod 16 boundary, and adds
// sufficient space to the stack so that the stack pointer is aligned to a 0 mod 16 boundary.

```

D.4.2 Aligned EDP-Based Stack Frames

In EDP-based frames, padding is also inserted immediately before the return address. However, this frame is slightly unusual in that the return address may actually reside in two different places in the stack. This occurs whenever padding must be added and exception handling is in effect for the function. Example D-2 shows the code generated for this type of frame. The stack location of the return address is aligned 12 mod 16. This means that the value of EDP always satisfies the condition $(EDP \& 0x0f) == 0x08$. In this case, the sum of the sizes of the return address, the previous EDP, the exception handling record, the local variables, and the spill area must be a multiple of 16 bytes. In addition, the parameter passing space must be a multiple of 16 bytes. For a call to a stdcall function, it is necessary for the caller to

reserve some stack space if the size of the parameter block being pushed is not a multiple of 16.

Example D-2. Aligned ebp-based Stack Frames

```

void _stdcall foo (int k)
{
  int j;
  foo:
    push   ebx
    mov    ebx, esp
    sub    esp, 0x00000008
    and    esp, 0xffffffff0
    add    esp, 0x00000008      // esp is (8 mod 16) after add
    jmp    common
  foo.aligned:
    push   ebx                  // esp is (8 mod 16) after push
    mov    ebx, esp
  common:
    push   ebp                  // this slot will be used for
                                // duplicate return pt
    push   ebp                  // esp is (0 mod 16) after push
                                // (rtn,ebx,ebp,ebp)
    mov    ebp, [ebx + 4]       // fetch return pointer and store
                                // relative to ebp
                                // (rtn,ebx,rtn,ebp)
    mov    ebp, esp            // ebp is (0 mod 16)
    sub    esp, 28              // esp is (4 mod 16)
                                // see Note A below
    push   edx                  // esp is (0 mod 16) after push
                                // goal is to make esp and ebp
                                // (0 mod 16) here

    j = k;
    mov    edx, [ebx + 8]       // k is (0 mod 16) if caller
                                // aligned its stack
    mov    [ebp - 16], edx      // j is (0 mod 16)
  foo(5);
    add    esp, -4              // normal call sequence to
                                // unaligned entry
    mov    [esp],5
    call  foo                    // for stdcall, callee
                                // cleans up stack

```

Example D-2. Aligned ebp-based Stack Frames (Contd.)

```

foo.aligned(5);
    add    esp,-16                // aligned entry, this should
                                // be a multiple of 16

    mov   [esp],5
    call  foo.aligned
    add   esp,12                 // see Note B below

return j;
    mov   eax,[ebp-16]
    pop   edx
    mov   esp,ebp
    pop   ebp
    mov   esp,ebx
    pop   ebx
ret 4
}

// NOTES:
// (A) Here we allow for local variables. However, this value should be adjusted so that, after
// pushing the saved registers, esp is 0 mod 16.
// (B) Just prior to the call, esp is 0 mod 16. To maintain alignment, esp should be adjusted by 16.
// When a callee uses the stdcall calling sequence, the stack pointer is restored by the callee. The
// final addition of 12 compensates for the fact that only 4 bytes were passed, rather than
// 16, and thus the caller must account for the remaining adjustment.

```

D.4.3 Stack Frame Optimizations

The Intel C++ Compiler provides certain optimizations that may improve the way aligned frames are set up and used. These optimizations are as follows:

- If a procedure is defined to leave the stack frame 16-byte-aligned and it calls another procedure that requires 16-byte alignment, then the callee's aligned entry point is called, bypassing all of the unnecessary aligning code.
- If a static function requires 16-byte alignment, and it can be proven to be called only by other functions that require 16-byte alignment, then that function will not have any alignment code in it. That is, the compiler will not use EBX to point to the argument block and it will not have alternate entry points, because this function will never be entered with an unaligned frame.

D.5 INLINED ASSEMBLY AND EBX

When using aligned frames, the EBX register generally should not be modified in inlined assembly blocks since EBX is used to keep track of the argument block. Programmers may modify EBX only if they do not need to access the arguments and provided they save EBX and restore it before the end of the function (since ESP is restored relative to EBX in the function's epilog).

NOTE

Do not use the EBX register in inline assembly functions that use dynamic stack alignment for `double`, `__m64`, and `__m128` local variables unless you save and restore EBX each time you use it. The Intel C++ Compiler uses the EBX register to control alignment of variables of these types, so the use of EBX, without preserving it, will cause unexpected program execution.

STACK ALIGNMENT

APPENDIX E

SUMMARY OF RULES AND SUGGESTIONS

This appendix summarizes the rules and suggestions specified in this manual. Please be reminded that coding recommendations are ranked in importance according to these two criteria:

- Local impact (referred to earlier as “impact”) – the difference that a recommendation makes to performance for a given instance.
- Generality – how frequently such instances occur across all application domains.

Again, understand that this ranking is intentionally very approximate, and can vary depending on coding style, application domain, and other factors. Throughout the chapter you observed references to these criteria using the high, medium and low priorities for each recommendation. In places where there was no priority assigned, the local impact or generality has been determined not to be applicable.

E.1 ASSEMBLY/COMPILER CODING RULES

Assembler/Compiler Coding Rule 1. (MH impact, M generality) Arrange code to make basic blocks contiguous and eliminate unnecessary branches. 3-7

Assembler/Compiler Coding Rule 2. (M impact, ML generality) Use the SETCC and CMOV instructions to eliminate unpredictable conditional branches where possible. Do not do this for predictable branches. Do not use these instructions to eliminate all unpredictable conditional branches (because using these instructions will incur execution overhead due to the requirement for executing both paths of a conditional branch). In addition, converting a conditional branch to SETCC or CMOV trades off control flow dependence for data dependence and restricts the capability of the out-of-order engine. When tuning, note that all Intel 64 and IA-32 processors usually have very high branch prediction rates. Consistently mispredicted branches are generally rare. Use these instructions only if the increase in computation time is less than the expected cost of a mispredicted branch. 3-7

Assembler/Compiler Coding Rule 3. (M impact, H generality) Arrange code to be consistent with the static branch prediction algorithm: make the fall-through code following a conditional branch be the likely target for a branch with a forward target, and make the fall-through code following a conditional branch be the unlikely target for a branch with a backward target. 3-10

Assembler/Compiler Coding Rule 4. (MH impact, MH generality) Near calls must be matched with near returns, and far calls must be matched with far

- returns. Pushing the return address on the stack and jumping to the routine to be called is not recommended since it creates a mismatch in calls and returns. 3-12
- Assembler/Compiler Coding Rule 5. (MH impact, MH generality)** Selectively inline a function if doing so decreases code size or if the function is small and the call site is frequently executed. 3-12
- Assembler/Compiler Coding Rule 6. (H impact, H generality)** Do not inline a function if doing so increases the working set size beyond what will fit in the trace cache. 3-12
- Assembler/Compiler Coding Rule 7. (ML impact, ML generality)** If there are more than 16 nested calls and returns in rapid succession; consider transforming the program with inline to reduce the call depth. 3-12
- Assembler/Compiler Coding Rule 8. (ML impact, ML generality)** Favor inlining small functions that contain branches with poor prediction rates. If a branch misprediction results in a RETURN being prematurely predicted as taken, a performance penalty may be incurred.) 3-12
- Assembler/Compiler Coding Rule 9. (L impact, L generality)** If the last statement in a function is a call to another function, consider converting the call to a jump. This will save the call/return overhead as well as an entry in the return stack buffer. 3-12
- Assembler/Compiler Coding Rule 10. (M impact, L generality)** Do not put more than four branches in a 16-byte chunk. 3-12
- Assembler/Compiler Coding Rule 11. (M impact, L generality)** Do not put more than two end loop branches in a 16-byte chunk..... 3-12
- Assembler/Compiler Coding Rule 12. (M impact, H generality)** All branch targets should be 16-byte aligned. 3-13
- Assembler/Compiler Coding Rule 13. (M impact, H generality)** If the body of a conditional is not likely to be executed, it should be placed in another part of the program. If it is highly unlikely to be executed and code locality is an issue, it should be placed on a different code page. 3-13
- Assembler/Compiler Coding Rule 14. (M impact, L generality)** When indirect branches are present, try to put the most likely target of an indirect branch immediately following the indirect branch. Alternatively, if indirect branches are common but they cannot be predicted by branch prediction hardware, then follow the indirect branch with a UD2 instruction, which will stop the processor from decoding down the fall-through path. 3-13
- Assembler/Compiler Coding Rule 15. (H impact, M generality)** Unroll small loops until the overhead of the branch and induction variable accounts (generally) for less than 10% of the execution time of the loop. 3-16
- Assembler/Compiler Coding Rule 16. (H impact, M generality)** Avoid unrolling loops excessively; this may thrash the trace cache or instruction cache. 3-16
- Assembler/Compiler Coding Rule 17. (M impact, M generality)** Unroll loops that are frequently executed and have a predictable number of iterations to reduce the number of iterations to 16 or fewer. Do this unless it increases code size so that the working set no longer fits in the trace or instruction cache. If the

- loop body contains more than one conditional branch, then unroll so that the number of iterations is $16/(\# \text{ conditional branches})$ 3-16
- Assembler/Compiler Coding Rule 18. (ML impact, M generality)** For improving fetch/decode throughput, Give preference to memory flavor of an instruction over the register-only flavor of the same instruction, if such instruction can benefit from micro-fusion. 3-17
- Assembler/Compiler Coding Rule 19. (M impact, ML generality)** Employ macro-fusion where possible using instruction pairs that support macro-fusion. Prefer TEST over CMP if possible. Use unsigned variables and unsigned jumps when possible. Try to logically verify that a variable is non-negative at the time of comparison. Avoid CMP or TEST of MEM-IMM flavor when possible. However, do not add other instructions to avoid using the MEM-IMM flavor. 3-19
- Assembler/Compiler Coding Rule 20. (M impact, ML generality)** Software can enable macro fusion when it can be logically determined that a variable is non-negative at the time of comparison; use TEST appropriately to enable macro-fusion when comparing a variable with 0. 3-21
- Assembler/Compiler Coding Rule 21. (MH impact, MH generality)** Favor generating code using imm8 or imm32 values instead of imm16 values. 3-22
- Assembler/Compiler Coding Rule 22. (M impact, ML generality)** Ensure instructions using 0xF7 opcode byte does not start at offset 14 of a fetch line; and avoid using these instruction to operate on 16-bit data, upcast short data to 32 bits. 3-23
- Assembler/Compiler Coding Rule 23. (MH impact, MH generality)** Break up a loop long sequence of instructions into loops of shorter instruction blocks of no more than 18 instructions. 3-23
- Assembler/Compiler Coding Rule 24. (MH impact, M generality)** Avoid unrolling loops containing LCP stalls, if the unrolled block exceeds 18 instructions. 3-23
- Assembler/Compiler Coding Rule 25. (M impact, M generality)** Avoid putting explicit references to ESP in a sequence of stack operations (POP, PUSH, CALL, RET). 3-24
- Assembler/Compiler Coding Rule 26. (ML impact, L generality)** Use simple instructions that are less than eight bytes in length. 3-24
- Assembler/Compiler Coding Rule 27. (M impact, MH generality)** Avoid using prefixes to change the size of immediate and displacement. 3-24
- Assembler/Compiler Coding Rule 28. (M impact, H generality)** Favor single-micro-operation instructions. Also favor instruction with shorter latencies. ... 3-25
- Assembler/Compiler Coding Rule 29. (M impact, L generality)** Avoid prefixes, especially multiple non-OF-prefixed opcodes. 3-25
- Assembler/Compiler Coding Rule 30. (M impact, L generality)** Do not use many segment registers. 3-25
- Assembler/Compiler Coding Rule 31. (ML impact, M generality)** Avoid using complex instructions (for example, enter, leave, or loop) that have more than

- four μ ops and require multiple cycles to decode. Use sequences of simple instructions instead. 3-25
- Assembler/Compiler Coding Rule 32. (M impact, H generality)** INC and DEC instructions should be replaced with ADD or SUB instructions, because ADD and SUB overwrite all flags, whereas INC and DEC do not, therefore creating false dependencies on earlier instructions that set the flags. 3-26
- Assembler/Compiler Coding Rule 33. (ML impact, L generality)** If an LEA instruction using the scaled index is on the critical path, a sequence with ADDs may be better. If code density and bandwidth out of the trace cache are the critical factor, then use the LEA instruction. 3-27
- Assembler/Compiler Coding Rule 34. (ML impact, L generality)** Avoid ROTATE by register or ROTATE by immediate instructions. If possible, replace with a ROTATE by 1 instruction. 3-27
- Assembler/Compiler Coding Rule 35. (M impact, ML generality)** Use dependency-breaking-idiom instructions to set a register to 0, or to break a false dependence chain resulting from re-use of registers. In contexts where the condition codes must be preserved, move 0 into the register instead. This requires more code space than using XOR and SUB, but avoids setting the condition codes. 3-28
- Assembler/Compiler Coding Rule 36. (M impact, MH generality)** Break dependences on portions of registers between instructions by operating on 32-bit registers instead of partial registers. For moves, this can be accomplished with 32-bit moves or by using MOVZX. 3-29
- Assembler/Compiler Coding Rule 37. (M impact, M generality)** Try to use zero extension or operate on 32-bit operands instead of using moves with sign extension. 3-29
- Assembler/Compiler Coding Rule 38. (ML impact, L generality)** Avoid placing instructions that use 32-bit immediates which cannot be encoded as sign-extended 16-bit immediates near each other. Try to schedule μ ops that have no immediate immediately before or after μ ops with 32-bit immediates. 3-30
- Assembler/Compiler Coding Rule 39. (ML impact, M generality)** Use the TEST instruction instead of AND when the result of the logical AND is not used. This saves μ ops in execution. Use a TEST if a register with itself instead of a CMP of the register to zero, this saves the need to encode the zero and saves encoding space. Avoid comparing a constant to a memory operand. It is preferable to load the memory operand and compare the constant to a register. 3-30
- Assembler/Compiler Coding Rule 40. (ML impact, M generality)** Eliminate unnecessary compare with zero instructions by using the appropriate conditional jump instruction when the flags are already set by a preceding arithmetic instruction. If necessary, use a TEST instruction instead of a compare. Be certain

- that any code transformations made do not introduce problems with overflow. 3-31
- Assembler/Compiler Coding Rule 41. (H impact, MH generality)** For small loops, placing loop invariants in memory is better than spilling loop-carried dependencies. 3-32
- Assembler/Compiler Coding Rule 42. (M impact, ML generality)** Avoid introducing dependences with partial floating point register writes, e.g. from the MOVSD XMMREG1, XMMREG2 instruction. Use the MOVAPD XMMREG1, XMMREG2 instruction instead. 3-38
- Assembler/Compiler Coding Rule 43. (ML impact, L generality)** Instead of using MOVUPD XMMREG1, MEM for a unaligned 128-bit load, use MOVSD XMMREG1, MEM; MOVSD XMMREG2, MEM+8; UNPCKLPD XMMREG1, XMMREG2. If the additional register is not available, then use MOVSD XMMREG1, MEM; MOVHPD XMMREG1, MEM+8. 3-38
- Assembler/Compiler Coding Rule 44. (M impact, ML generality)** Instead of using MOVUPD MEM, XMMREG1 for a store, use MOVSD MEM, XMMREG1; UNPCKHPD XMMREG1, XMMREG1; MOVSD MEM+8, XMMREG1 instead. 3-38
- Assembler/Compiler Coding Rule 45. (H impact, H generality)** Align data on natural operand size address boundaries. If the data will be accessed with vector instruction loads and stores, align the data on 16-byte boundaries. 3-48
- Assembler/Compiler Coding Rule 46. (H impact, M generality)** Pass parameters in registers instead of on the stack where possible. Passing arguments on the stack requires a store followed by a reload. While this sequence is optimized in hardware by providing the value to the load directly from the memory order buffer without the need to access the data cache if permitted by store-forwarding restrictions, floating point values incur a significant latency in forwarding. Passing floating point arguments in (preferably XMM) registers should save this long latency operation. 3-50
- Assembler/Compiler Coding Rule 47. (H impact, M generality)** A load that forwards from a store must have the same address start point and therefore the same alignment as the store data. 3-52
- Assembler/Compiler Coding Rule 48. (H impact, M generality)** The data of a load which is forwarded from a store must be completely contained within the store data. 3-52
- Assembler/Compiler Coding Rule 49. (H impact, ML generality)** If it is necessary to extract a non-aligned portion of stored data, read out the smallest aligned portion that completely contains the data and shift/mask the data as necessary. This is better than incurring the penalties of a failed store-forward. 3-52
- Assembler/Compiler Coding Rule 50. (MH impact, ML generality)** Avoid several small loads after large stores to the same area of memory by using a single large read and register copies as needed. 3-52
- Assembler/Compiler Coding Rule 51. (H impact, MH generality)** Where it is possible to do so without incurring other penalties, prioritize the allocation of

- variables to registers, as in register allocation and for parameter passing, to minimize the likelihood and impact of store-forwarding problems. Try not to store-forward data generated from a long latency instruction - for example, MUL or DIV. Avoid store-forwarding data for variables with the shortest store-load distance. Avoid store-forwarding data for variables with many and/or long dependence chains, and especially avoid including a store forward on a loop-carried dependence chain. 3-56
- Assembler/Compiler Coding Rule 52. (M impact, MH generality)** Calculate store addresses as early as possible to avoid having stores block loads. 3-56
- Assembler/Compiler Coding Rule 53. (H impact, M generality)** Try to arrange data structures such that they permit sequential access. 3-58
- Assembler/Compiler Coding Rule 54. (H impact, M generality)** If 64-bit data is ever passed as a parameter or allocated on the stack, make sure that the stack is aligned to an 8-byte boundary. 3-59
- Assembler/Compiler Coding Rule 55. (H impact, M generality)** Avoid having a store followed by a non-dependent load with addresses that differ by a multiple of 4 KBytes. Also, lay out data or order computation to avoid having cache lines that have linear addresses that are a multiple of 64 KBytes apart in the same working set. Avoid having more than 4 cache lines that are some multiple of 2 KBytes apart in the same first-level cache working set, and avoid having more than 8 cache lines that are some multiple of 4 KBytes apart in the same first-level cache working set. 3-62
- Assembler/Compiler Coding Rule 56. (M impact, L generality)** If (hopefully read-only) data must occur on the same page as code, avoid placing it immediately after an indirect jump. For example, follow an indirect jump with its mostly likely target, and place the data after an unconditional branch. 3-63
- Assembler/Compiler Coding Rule 57. (H impact, L generality)** Always put code and data on separate pages. Avoid self-modifying code wherever possible. If code is to be modified, try to do it all at once and make sure the code that performs the modifications and the code being modified are on separate 4-KByte pages or on separate aligned 1-KByte subpages. 3-64
- Assembler/Compiler Coding Rule 58. (H impact, L generality)** If an inner loop writes to more than four arrays (four distinct cache lines), apply loop fission to break up the body of the loop such that only four arrays are being written to in each iteration of each of the resulting loops. 3-65
- Assembler/Compiler Coding Rule 59. (H impact, M generality)** Minimize changes to bits 8-12 of the floating point control word. Changes for more than two values (each value being a combination of the following bits: precision, rounding and infinity control, and the rest of bits in FCW) leads to delays that are on the order of the pipeline depth. 3-81
- Assembler/Compiler Coding Rule 60. (H impact, L generality)** Minimize the number of changes to the rounding mode. Do not use changes in the rounding

mode to implement the floor and ceiling functions if this involves a total of more than two values of the set of rounding, precision, and infinity bits.	3-83
Assembler/Compiler Coding Rule 61. (H impact, L generality) Minimize the number of changes to the precision mode.	3-84
Assembler/Compiler Coding Rule 62. (M impact, M generality) Use FXCH only where necessary to increase the effective name space.	3-84
Assembler/Compiler Coding Rule 63. (M impact, M generality) Use Streaming SIMD Extensions 2 or Streaming SIMD Extensions unless you need an x87 feature. Most SSE2 arithmetic operations have shorter latency than their X87 counterpart and they eliminate the overhead associated with the management of the X87 register stack.	3-85
Assembler/Compiler Coding Rule 64. (M impact, L generality) Try to use 32-bit operands rather than 16-bit operands for FILD. However, do not do so at the expense of introducing a store-forwarding problem by writing the two halves of the 32-bit memory operand separately.	3-86
Assembler/Compiler Coding Rule 65. (H impact, M generality) Use the 32-bit versions of instructions in 64-bit mode to reduce code size unless the 64-bit version is necessary to access 64-bit data or additional registers.	9-2
Assembler/Compiler Coding Rule 66. (M impact, MH generality) When they are needed to reduce register pressure, use the 8 extra general purpose registers for integer code and 8 extra XMM registers for floating-point or SIMD code. ...	9-2
Assembler/Compiler Coding Rule 67. (ML impact, M generality) Prefer 64-bit by 64-bit integer multiplies that produce 64-bit results over multiplies that produce 128-bit results.	9-2
Assembler/Compiler Coding Rule 68. (M impact, M generality) Sign extend to 64-bits instead of sign extending to 32 bits, even when the destination will be used as a 32-bit value.	9-3
Assembler/Compiler Coding Rule 69. (ML impact, M generality) Use the 64-bit versions of multiply for 32-bit integer multiplies that require a 64 bit result.	9-4
Assembler/Compiler Coding Rule 70. (ML impact, M generality) Use the 64-bit versions of add for 64-bit adds.	9-4
Assembler/Compiler Coding Rule 71. (L impact, L generality) If software prefetch instructions are necessary, use the prefetch instructions provided by SSE.	9-5

E.2 USER/SOURCE CODING RULES

User/Source Coding Rule 1. (M impact, L generality) If an indirect branch has two or more common taken targets and at least one of those targets is correlated with branch history leading up to the branch, then convert the indirect branch to a tree where one or more indirect branches are preceded by conditional branches

- to those targets. Apply this “peeling” procedure to the common target of an indirect branch that correlates to branch history. 3-14
- User/Source Coding Rule 2. (H impact, M generality)** Use the smallest possible floating-point or SIMD data type, to enable more parallelism with the use of a (longer) SIMD vector. For example, use single precision instead of double precision where possible. 3-39
- User/Source Coding Rule 3. (M impact, ML generality)** Arrange the nesting of loops so that the innermost nesting level is free of inter-iteration dependencies. Especially avoid the case where the store of data in an earlier iteration happens lexically after the load of that data in a future iteration, something which is called a lexically backward dependence. 3-39
- User/Source Coding Rule 4. (M impact, ML generality)** Avoid the use of conditional branches inside loops and consider using SSE instructions to eliminate branches. 3-39
- User/Source Coding Rule 5. (M impact, ML generality)** Keep induction (loop) variable expressions simple. 3-39
- User/Source Coding Rule 6. (H impact, M generality)** Pad data structures defined in the source code so that every data element is aligned to a natural operand size address boundary 3-56
- User/Source Coding Rule 7. (M impact, L generality)** Beware of false sharing within a cache line (64 bytes) and within a sector of 128 bytes on processors based on Intel NetBurst microarchitecture. 3-59
- User/Source Coding Rule 8. (H impact, ML generality)** Consider using a special memory allocation library with address offset capability to avoid aliasing. ... 3-62
- User/Source Coding Rule 9. (M impact, M generality)** When padding variable declarations to avoid aliasing, the greatest benefit comes from avoiding aliasing on second-level cache lines, suggesting an offset of 128 bytes or more 3-62
- User/Source Coding Rule 10. (H impact, H generality)** Optimization techniques such as blocking, loop interchange, loop skewing, and packing are best done by the compiler. Optimize data structures either to fit in one-half of the first-level cache or in the second-level cache; turn on loop optimizations in the compiler to enhance locality for nested loops 3-66
- User/Source Coding Rule 11. (M impact, ML generality)** If there is a blend of reads and writes on the bus, changing the code to separate these bus transactions into read phases and write phases can help performance 3-67
- User/Source Coding Rule 12. (H impact, H generality)** To achieve effective amortization of bus latency, software should favor data access patterns that result in higher concentrations of cache miss patterns, with cache miss strides

- that are significantly smaller than half the hardware prefetch trigger threshold 3-67
- User/Source Coding Rule 13. (M impact, M generality)** Enable the compiler's use of SSE, SSE2 or SSE3 instructions with appropriate switches. 3-77
- User/Source Coding Rule 14. (H impact, ML generality)** Make sure your application stays in range to avoid denormal values, underflows. 3-78
- User/Source Coding Rule 15. (M impact, ML generality)** Do not use double precision unless necessary. Set the precision control (PC) field in the x87 FPU control word to "Single Precision". This allows single precision (32-bit) computation to complete faster on some operations (for example, divides due to early out). However, be careful of introducing more than a total of two values for the floating point control word, or there will be a large performance penalty. See Section 3.8.3 3-78
- User/Source Coding Rule 16. (H impact, ML generality)** Use fast float-to-int routines, FISTTP, or SSE2 instructions. If coding these routines, use the FISTTP instruction if SSE3 is available, or the CVTTSS2SI and CVTTSD2SI instructions if coding with Streaming SIMD Extensions 2. 3-78
- User/Source Coding Rule 17. (M impact, ML generality)** Removing data dependence enables the out-of-order engine to extract more ILP from the code. When summing up the elements of an array, use partial sums instead of a single accumulator. 3-78
- User/Source Coding Rule 18. (M impact, ML generality)** Usually, math libraries take advantage of the transcendental instructions (for example, FSIN) when evaluating elementary functions. If there is no critical need to evaluate the transcendental functions using the extended precision of 80 bits, applications should consider an alternate, software-based approach, such as a look-up-table-based algorithm using interpolation techniques. It is possible to improve transcendental performance with these techniques by choosing the desired numeric precision and the size of the look-up table, and by taking advantage of the parallelism of the SSE and the SSE2 instructions. 3-78
- User/Source Coding Rule 19. (H impact, ML generality)** Denormalized floating-point constants should be avoided as much as possible. 3-79
- User/Source Coding Rule 20. (M impact, H generality)** Insert the PAUSE instruction in fast spin loops and keep the number of loop repetitions to a minimum to improve overall system performance. 8-18
- User/Source Coding Rule 21. (M impact, L generality)** Replace a spin lock that may be acquired by multiple threads with pipelined locks such that no more than two threads have write accesses to one lock. If only one thread needs to write to a variable shared by two threads, there is no need to use a lock. 8-18
- User/Source Coding Rule 22. (H impact, M generality)** Use a thread-blocking API in a long idle loop to free up the processor 8-19
- User/Source Coding Rule 23. (H impact, M generality)** Beware of false sharing within a cache line (64 bytes on Intel Pentium 4, Intel Xeon, Pentium M, Intel

SUMMARY OF RULES AND SUGGESTIONS

- Core Duo processors), and within a sector (128 bytes on Pentium 4 and Intel Xeon processors) 8-22
- User/Source Coding Rule 24. (M impact, ML generality)** Place each synchronization variable alone, separated by 128 bytes or in a separate cache line. 8-22
- User/Source Coding Rule 25. (H impact, L generality)** Do not place any spin lock variable to span a cache line boundary 8-22
- User/Source Coding Rule 26. (M impact, H generality)** Improve data and code locality to conserve bus command bandwidth. 8-24
- User/Source Coding Rule 27. (M impact, L generality)** Avoid excessive use of software prefetch instructions and allow automatic hardware prefetcher to work. Excessive use of software prefetches can significantly and unnecessarily increase bus utilization if used inappropriately. 8-25
- User/Source Coding Rule 28. (M impact, M generality)** Consider using overlapping multiple back-to-back memory reads to improve effective cache miss latencies. 8-26
- User/Source Coding Rule 29. (M impact, M generality)** Consider adjusting the sequencing of memory references such that the distribution of distances of successive cache misses of the last level cache peaks towards 64 bytes. 8-26
- User/Source Coding Rule 30. (M impact, M generality)** Use full write transactions to achieve higher data throughput. 8-26
- User/Source Coding Rule 31. (H impact, H generality)** Use cache blocking to improve locality of data access. Target one quarter to one half of the cache size when targeting Intel processors supporting HT Technology or target a block size that allow all the logical processors serviced by a cache to share that cache simultaneously. 8-27
- User/Source Coding Rule 32. (H impact, M generality)** Minimize the sharing of data between threads that execute on different bus agents sharing a common bus 8-28
- User/Source Coding Rule 33. (H impact, H generality)** Minimize data access patterns that are offset by multiples of 64 KBytes in each thread. 8-30
- User/Source Coding Rule 34. (H impact, M generality)** Adjust the private stack of each thread in an application so that the spacing between these stacks is not offset by multiples of 64 KBytes or 1 MByte to prevent unnecessary cache line evictions (when using Intel processors supporting HT Technology). 8-32
- User/Source Coding Rule 35. (M impact, L generality)** Add per-instance stack offset when two instances of the same application are executing in lock steps to

- avoid memory accesses that are offset by multiples of 64 KByte or 1 MByte, when targeting Intel processors supporting HT Technology. 8-33
- User/Source Coding Rule 36. (M impact, L generality)** Avoid excessive loop unrolling to ensure the Trace cache is operating efficiently. 8-34
- User/Source Coding Rule 37. (L impact, L generality)** Optimize code size to improve locality of Trace cache and increase delivered trace length 8-35
- User/Source Coding Rule 38. (M impact, L generality)** Consider using thread affinity to optimize sharing resources cooperatively in the same core and subscribing dedicated resource in separate processor cores. 8-37
- User/Source Coding Rule 39. (M impact, L generality)** If a single thread consumes half of the peak bandwidth of a specific execution unit (e.g. `fdiv`), consider adding a thread that seldom or rarely relies on that execution unit, when tuning for HT Technology 8-43

E.3 TUNING SUGGESTIONS

- Tuning Suggestion 1.** In rare cases, a performance problem may be caused by executing data on a code page as instructions. This is very likely to happen when execution is following an indirect branch that is not resident in the trace cache. If this is clearly causing a performance problem, try moving the data elsewhere, or inserting an illegal opcode or a pause instruction immediately after the indirect branch. Note that the latter two alternatives may degrade performance in some circumstances. 3-63
- Tuning Suggestion 2.** If a load is found to miss frequently, either insert a prefetch before it or (if issue bandwidth is a concern) move the load up to execute earlier. 3-70
- Tuning Suggestion 3.** Optimize single threaded code to maximize execution throughput first. 8-41
- Tuning Suggestion 4.** Optimize multithreaded applications to achieve optimal processor scaling with respect to the number of physical processors or processor cores. 8-41
- Tuning Suggestion 5.** Schedule threads that compete for the same execution resource to separate processor cores. 8-41
- Tuning Suggestion 6.** Use on-chip execution resources cooperatively if two logical processors are sharing the execution resources in the same processor core. 8-42

SUMMARY OF RULES AND SUGGESTIONS

Numerics

- 64-bit mode
 - arithmetic, 9-3
 - coding guidelines, 9-1
 - compiler settings, A-2
 - CVTSI2SD instruction, 9-4
 - CVTSI2SS instruction, 9-4
 - default operand size, 9-1
 - introduction, 2-45
 - legacy instructions, 9-1
 - multiplication notes, 9-2
 - register usage, 9-2, 9-3
 - REX prefix, 9-1
 - sign-extension, 9-2
 - software prefetch, 9-5

A

- absolute difference of signed numbers, 5-20
- absolute difference of unsigned numbers, 5-20
- absolute value, 5-21
- active power, 10-1
- ADDSUBPD instruction, 6-17
- ADDSUBPS instruction, 6-17, 6-19
- algorithm to avoid changing the rounding mode, 3-82
- alignment
 - arrays, 3-56
 - code, 3-12
 - stack, 3-59
 - structures, 3-56
- Amdahl's law, 8-2
- AoS format, 4-23
- application performance tools, A-1
- arrays
 - aligning, 3-56
- assembler/compiler coding rules, E-1
- assist, B-2
- automatic vectorization, 4-15, 4-16

B

- battery life
 - guidelines for extending, 10-5
 - mobile optimization, 10-1
 - OS APIs, 10-6
 - quality trade-offs, 10-5
- bogus, non-bogus, retire, B-1
- branch prediction
 - choosing types, 3-13
 - code examples, 3-8
 - eliminating branches, 3-7
 - optimizing, 3-6
 - unrolling loops, 3-15
- bus ratio, B-2

C

- C4-state, 10-4
- cache management
 - blocking techniques, 7-22
 - cache level, 7-5
 - CLFLUSH instruction, 7-12
 - coding guidelines, 7-1
 - compiler choices, 7-2
 - compiler intrinsics, 7-2
 - CPUID instruction, 3-5, 7-37
 - function leaf, 3-5
 - optimizing, 7-1
 - simple memory copy, 7-32
 - smart cache, 2-36
 - video decoder, 7-31
 - video encoder, 7-31
 - See also: optimizing cache utilization
- call graph profiling, A-11
- CD/DVD, 10-7
- changing the rounding mode, 3-82
- classes (C/C++), 4-14
- CLFLUSH instruction, 7-12
- clipping to an arbitrary signed range, 5-25
- clipping to an arbitrary unsigned range, 5-27
- clock ticks
 - in performance matrices, B-6
 - nominal CPI, B-3
 - non-halted clock ticks, B-3
 - non-halted CPI, B-3
 - non-sleep clock ticks, B-3
 - time-stamp counter, B-3
 - See also: performance monitoring events
- coding techniques, 4-10, 8-23
 - 64-bit guidelines, 9-1
 - absolute difference of signed numbers, 5-20
 - absolute difference of unsigned numbers, 5-20
 - absolute value, 5-21
 - clipping to an arbitrary signed range, 5-25
 - clipping to an arbitrary unsigned range, 5-27
 - conserving power, 10-7
 - data in segment, 3-63
 - generating constants, 5-19
 - interleaved pack with saturation, 5-8
 - interleaved pack without saturation, 5-10
 - latency and throughput, C-1
 - methodologies, 4-11
 - non-interleaved unpack, 5-10
 - optimization options, A-2
 - rules, 3-5, E-1
 - signed unpack, 5-7
 - simplified clip to arbitrary signed range, 5-26
 - sleep transitions, 10-7
 - suggestions, 3-5, E-1

INDEX

- summary of rules, E-1
- tuning hints, 3-5, E-1
- unsigned unpack, 5-6
- See also: floating-point code
- coherent requests, 7-9
- command-line options
 - floating-point arithmetic precision, A-5
 - inline expansion of library functions, A-5
 - rounding control, A-5
 - vectorizer switch, A-4
- comparing register values, 3-27, 3-30
- compatibility mode, 9-1
- compatibility model, 2-45
- compiler intrinsics
 - `_mm_load`, 7-2, 7-31
 - `_mm_prefetch`, 7-2, 7-31
 - `_mm_stream`, 7-2, 7-31
- compilers
 - branch prediction support, 3-16
 - documentation, 1-3
 - general recommendations, 3-2
 - plug-ins, A-1
 - supported alignment options, 4-19
 - See also: Intel C++ Compiler & Intel Fortran Compiler
- computation
 - intensive code, 4-9
- converting 64-bit to 128-bit SIMD integers, 5-36
- converting code to MMX technology, 4-7
- CPUID instruction
 - AP-485, 1-3
 - cache parameters, 7-37
 - function leaf, 7-37
 - function leaf 4, 3-5
 - Intel compilers, 3-4
 - MMX support, 4-2
 - SSE support, 4-2
 - SSE2 support, 4-3
 - SSE3 support, 4-4
 - SSSE3 support, 4-6
 - strategy for use, 3-4
- C-states, 10-1, 10-3
- CVTSI2SD instruction, 9-4
- CVTSI2SS instruction, 9-4
- CVTTPS2PI instruction, 6-16
- CVTTSS2SI instruction, 6-16

D

- data
 - access pattern of array, 3-58
 - aligning arrays, 3-56
 - aligning structures, 3-56
 - alignment, 4-16
 - arrangement, 6-3
 - code segment and, 3-63
 - deswizzling, 6-10, 6-11
 - prefetching, 2-37

- swizzling, 6-7
 - swizzling using intrinsics, 6-8
- `declspec(align)`, D-3
- deeper sleep, 10-4
- denormals-are-zero (DAZ), 6-16
- deterministic cache parameters
 - cache sharing, 7-37, 7-39
 - multicore, 7-39
 - overview, 7-37
 - prefetch stride, 7-39
- domain decomposition, 8-5
- Dual-core Intel Xeon processors, 2-1

E

- EDP-based stack frames, D-4
- eliminating branches, 3-9
- EMMS instruction, 5-2, 5-3
 - guidelines for using, 5-3
- Enhanced Intel SpeedStep Technology
 - description of, 10-8
 - multicore processors, 10-11
 - usage scenario, 10-2
- ESP-based stack frames, D-3
- extract word instruction, 5-12

F

- fencing operations, 7-7
 - LFENCE instruction, 7-11
 - MFENCE instruction, 7-11
- FIST instruction, 3-82
- FLDCW instruction, 3-82
- floating-point code
 - arithmetic precision options, A-5
 - copying, shuffling, 6-12
 - data arrangement, 6-3
 - data deswizzling, 6-10
 - data swizzling using intrinsics, 6-8
 - guidelines for optimizing, 3-77
 - horizontal ADD, 6-13
 - improving parallelism, 3-84
 - memory access stall information, 3-53
 - operations with integer operands, 3-86
 - operations, integer operands, 3-86
 - optimizing, 3-77
 - planning considerations, 6-1
 - rules and suggestions, 6-1
 - scalar code, 6-2
 - transcendental functions, 3-86
 - unrolling loops, 3-15
 - vertical versus horizontal computation, 6-3
 - See also: coding techniques
- flush-to-zero (FTZ), 6-16
- front end
 - branching ratios, B-52
 - characterizing mispredictions, B-53
 - HT Technology, 8-34

- key practices, 8-13
- loop unrolling, 8-13, 8-34
- multithreading, 8-34
- optimization, 3-6
- optimization for code size, 8-34
- Pentium M processor, 3-24
- tagging mechanisms, B-37
- trace cache, 8-13
- trace cache events, B-30
- functional decomposition, 8-5
- FXCH instruction, 3-85, 6-2

G

- generating constants, 5-19
- GetActivePwrScheme, 10-6
- GetSystemPowerStatus, 10-6

H

- HADDPD instruction, 6-17
- HADDPS instruction, 6-17, 6-22
- hardware multithreading
 - support for, 3-5
- hardware prefetch
 - cache blocking techniques, 7-26
 - description of, 7-3
 - latency reduction, 7-14
 - memory optimization, 7-12
 - operation, 7-13
- horizontal computations, 6-13
- hotspots
 - definition of, 4-9
 - identifying, 4-9
 - VTune analyzer, 4-9
- HSUBPD instruction, 6-17
- HSUBPS instruction, 6-17, 6-22
- Hyper-Threading Technology
 - avoid excessive software prefetches, 8-25
 - bus optimization, 8-12
 - cache blocking technique, 8-27
 - conserve bus command bandwidth, 8-24
 - eliminate 64-K-aliased data accesses, 8-30
 - excessive loop unrolling, 8-34
 - front-end optimization, 8-34
 - full write transactions, 8-26
 - functional decomposition, 8-5
 - improve effective latency of cache misses, 8-25
 - memory optimization, 8-27
 - minimize data sharing between physical processors, 8-28
 - multitasking environment, 8-3
 - optimization, 8-1
 - optimization for code size, 8-34
 - optimization guidelines, 8-12
 - optimization with spin-locks, 8-18
 - overview, 2-37
 - parallel programming models, 8-5

- performance metrics, B-39
- per-instance stack offset, 8-32
- per-thread stack offset, 8-31
- pipeline, 2-40
- placement of shared synchronization variable, 8-22
- prevent false-sharing of data, 8-21
- preventing excessive evictions in first-level data cache, 8-30
- processor resources, 2-38
- shared execution resources, 8-41
- shared-memory optimization, 8-28
- synchronization for longer periods, 8-19
- synchronization for short periods, 8-16
- system bus optimization, 8-23
- thread sync practices, 8-12
- thread synchronization, 8-14
- tools for creating multithreaded applications, 8-10

I

- IA-32e mode, 2-45
- IA32_PERFVSELx MSR, B-50
- increasing bandwidth
 - memory fills, 5-35
 - video fills, 5-35
- indirect branch, 3-13
- inline assembly, 5-4
- inline expansion library functions option, A-5
- inlined-asm, 4-12
- insert word instruction, 5-13
- instruction latency/throughput
 - overview, C-1
- instruction scheduling, 3-63
- Intel 64 and IA-32 processors, 2-1
- Intel 64 architecture
 - and IA-32 processors, 2-45
 - features of, 2-45
 - IA-32e mode, 2-45
- Intel Advanced Digital Media Boost, 2-3
- Intel Advanced Memory Access, 2-13
- Intel Advanced Smart Cache, 2-2, 2-17
- Intel Core Duo processors, 2-1, 2-36
 - 128-bit integers, 5-37
 - data prefetching, 2-37
 - front end, 2-36
 - microarchitecture, 2-36
 - packed FP performance, 6-22
 - performance events, B-42
 - prefetch mechanism, 7-3
 - processor perspectives, 3-3
 - shared cache, 2-43
 - SIMD support, 4-1
 - special programming models, 8-6
 - static prediction, 3-9
- Intel Core microarchitecture, 2-1, 2-2
 - advanced smart cache, 2-17
 - branch prediction unit, 2-6

INDEX

- event ratios, B-50
 - execution core, 2-9
 - execution units, 2-10
 - issue ports, 2-10
 - front end, 2-4
 - instruction decode, 2-8
 - instruction fetch unit, 2-6
 - instruction queue, 2-7
 - advanced memory access, 2-13
 - micro-fusion, 2-9
 - pipeline overview, 2-3
 - special programming models, 8-6
 - stack pointer tracker, 2-8
 - static prediction, 3-11
 - Intel Core Solo processors, 2-1
 - 128-bit SIMD integers, 5-37
 - data prefetching, 2-37
 - front end, 2-36
 - microarchitecture, 2-36
 - performance events, B-42
 - prefetch mechanism, 7-3
 - processor perspectives, 3-3
 - SIMD support, 4-1
 - static prediction, 3-9
 - Intel Core2 Duo processors, 2-1
 - processor perspectives, 3-3
 - Intel C++ Compiler, 3-1
 - 64-bit mode settings, A-2
 - branch prediction support, 3-16
 - description, A-1
 - IA-32 settings, A-2
 - multithreading support, A-5
 - OpenMP, A-5
 - optimization settings, A-1
 - related information, 1-3
 - stack frame support, D-1
 - Intel Debugger
 - description, A-1
 - Intel developer link, 1-3
 - Intel Enhanced Deeper Sleep
 - C-state numbers, 10-3
 - enabling, 10-10
 - multiple-cores, 10-13
 - Intel Fortran Compiler
 - description, A-1
 - multithreading support, A-5
 - OpenMP, A-5
 - optimization settings, A-1
 - related information, 1-3
 - Intel Integrated Performance Primitives
 - for Linux, A-13
 - for Windows, A-13
 - Intel Math Kernel Library for Linux, A-12
 - Intel Math Kernel Library for Windows, A-12
 - Intel Mobile Platform SDK, 10-6
 - Intel NetBurst microarchitecture, 2-1
 - core, 2-22, 2-25
 - design goals, 2-20
 - front end, 2-22
 - introduction, 2-19
 - out-of-order core, 2-25
 - pipeline, 2-20, 2-23
 - prefetch characteristics, 7-3
 - processor perspectives, 3-3
 - retirement, 2-23
 - trace cache, 3-11
 - Intel Pentium D processors, 2-1, 2-41
 - Intel Pentium M processors, 2-1
 - core, 2-35
 - data prefetching, 2-34
 - front end, 2-33
 - microarchitecture, 2-32
 - retirement, 2-35
 - Intel Performance Libraries, A-12
 - benefits, A-13
 - optimizations, A-13
 - Intel performance libraries
 - description, A-1
 - Intel Performance Tools, 3-1, A-1
 - Intel Smart Cache, 2-36
 - Intel Smart Memory Access, 2-2
 - Intel software network link, 1-3
 - Intel Thread Checker, 8-11
 - example output, A-14
 - Intel Thread Profiler
 - Intel Threading Tools, 8-11
 - Intel Threading Tools, A-1, A-14
 - Intel VTune Performance Analyzer
 - call graph, A-11
 - code coach, 4-9
 - coverage, 3-2
 - description, A-1
 - related information, 1-3
 - Intel Wide Dynamic Execution, 2-2
 - interleaved pack with saturation, 5-8
 - interleaved pack without saturation, 5-10
 - interprocedural optimization, A-6
 - introduction
 - chapter summaries, 1-2
 - optimization features, 2-1
 - processors covered, 1-1
 - references, 1-3
 - IPO. See interprocedural optimization
- ## L
- large load stalls, 3-54
 - latency, 7-4, 7-15
 - legacy mode, 9-1
 - LFENCE Instruction, 7-11
 - links to web data, 1-3
 - load instructions and prefetch, 7-6
 - loading-storing to-from same DRAM page, 5-36
 - loop
 - blocking, 4-26
 - unrolling, 7-20, A-5

M

- MASKMOVDQU instruction, 7-7
- memory bank conflicts, 7-2
- memory optimizations
 - loading-storing to-from same DRAM page, 5-36
 - overview, 5-31
 - partial memory accesses, 5-32
 - performance, 4-21
 - reference instructions, 3-27
 - using aligned stores, 5-36
 - using prefetch, 7-12
- MFENCE instruction, 7-11
- micro-op fusion, 2-36
- misaligned data access, 4-16
- misalignment in the FIR filter, 4-18
- mobile computing
 - ACPI standard, 10-1, 10-3
 - active power, 10-1
 - battery life, 10-1, 10-5, 10-6
 - C4-state, 10-4
 - CD/DVD, WLAN, WiFi, 10-7
 - C-states, 10-1, 10-3
 - deep sleep transitions, 10-7
 - deeper sleep, 10-4, 10-10
 - Intel Mobil Platform SDK, 10-6
 - OS APIs, 10-6
 - OS changes processor frequency, 10-2
 - OS synchronization APIs, 10-6
 - overview, 10-1
 - performance options, 10-5
 - platform optimizations, 10-7
 - P-states, 10-1
 - Speedstep technology, 10-8
 - spin-loops, 10-6
 - state transitions, 10-2
 - static power, 10-1
 - WM_POWERBROADCAST message, 10-8
- MOVAPD instruction, 6-3
- MOVAPS instruction, 6-3
- MOVDDUP instruction, 6-17
- move byte mask to integer, 5-14
- MOVHLPS instruction, 6-13
- MOVHPS instruction, 6-7, 6-10
- MOVLHPS instruction, 6-13
- MOVLPS instruction, 6-7, 6-10
- MOVNTDQ instruction, 7-7
- MOVNTI instruction, 7-7
- MOVNTPD instruction, 7-7
- MOVNTPS instruction, 7-7
- MOVNTQ instruction, 7-7
- MOVQ Instruction, 5-35
- MOVSHDUP instruction, 6-17, 6-19
- MOVSLDUP instruction, 6-17, 6-19
- MOVUPD instruction, 6-3
- MOVUPS instruction, 6-3
- multicore processors
 - architecture, 2-1
 - C-state considerations, 10-12
 - energy considerations, 10-10
 - features of, 2-41
 - functional example, 2-41
 - pipeline and core, 2-43
 - SpeedStep technology, 10-11
 - thread migration, 10-11
- multiprocessor systems
 - dual-core processors, 8-1
 - HT Technology, 8-1
 - optimization techniques, 8-1
 - See also: multithreading & Hyper-Threading Technology
- multithreading
 - Amdahl's law, 8-2
 - application tools, 8-10
 - bus optimization, 8-12
 - compiler support, A-5
 - dual-core technology, 3-5
 - environment description, 8-1
 - guidelines, 8-12
 - hardware support, 3-5
 - HT technology, 3-5
 - Intel Core microarchitecture, 8-6
 - parallel & sequential tasks, 8-2
 - programming models, 8-4
 - shared execution resources, 8-41
 - specialized models, 8-6
 - thread sync practices, 8-12
 - See Hyper-Threading Technology

N

- Newton-Raphson iteration, 6-1
- non-coherent requests, 7-9
- non-halted clock ticks, B-4
- non-interleaved unpack, 5-10
- non-sleep clock ticks, B-4
- non-temporal stores, 7-8, 7-30
- NOP, 3-31

O

- OpenMP compiler directives, 8-10, A-5
- optimization
 - branch prediction, 3-6
 - branch type selection, 3-13
 - eliminating branches, 3-7
 - features, 2-1
 - general techniques, 3-1
 - spin-wait and idle loops, 3-9
 - static prediction, 3-9
 - unrolling loops, 3-15
- optimizing cache utilization
 - cache management, 7-31
 - examples, 7-11
 - non-temporal store instructions, 7-7
 - prefetch and load, 7-6
 - prefetch instructions, 7-5

INDEX

- prefetching, 7-5
- SFENCE instruction, 7-10, 7-11
- streaming, non-temporal stores, 7-7
- See also: cache management
- OS APIs, 10-6
- P**
- pack instructions, 5-8
- packed average byte or word), 5-30
- packed multiply high unsigned, 5-28
- packed shuffle word, 5-15
- packed signed integer word maximum, 5-28
- packed sum of absolute differences, 5-28
- parallelism, 4-10, 8-5
- partial memory accesses, 5-32
- PAUSE instruction, 3-9, 8-12
- PAVGB instruction, 5-30
- PAVGW instruction, 5-30
- PeekMessage(), 10-6
- Pentium 4 processors
 - inner loop iterations, 3-15
 - static prediction, 3-9
- Pentium M processors
 - prefetch mechanisms, 7-3
 - processor perspectives, 3-3
 - static prediction, 3-9
- Pentium Processor Extreme Edition, 2-1, 2-41
- performance models
 - Amdahl's law, 8-2
 - multithreading, 8-2
 - parallelism, 8-1
 - usage, 8-1
- performance monitoring events
 - analysis techniques, B-45
 - Bus_Not_In_Use, B-44
 - Bus_Snoops, B-45
 - DCU_Snoop_to_Share, B-44
 - drill-down techniques, B-45
 - event ratios, B-50
 - HT Technology, B-39
 - Intel Core Duo processors, B-42
 - Intel Core Solo processors, B-42
 - Intel Netburst architecture, B-1
 - Intel Xeon processors, B-1
 - L1_Pref_Req, B-44
 - L2_No_Request_Cycles, B-44
 - L2_Reject_Cycles, B-44
 - metrics and categories, B-5
 - Pentium 4 processor, B-1
 - performance counter, B-42
 - ratio interpretation, B-43
 - See also: clock ticks
 - Serial_Execution_Cycles, B-44
 - Unhalted_Core_Cycles, B-44
 - Unhalted_Ref_Cycles, B-44
- performance tools, 3-1
- PEXTRW instruction, 5-12
- PGO. See profile-guided optimization
- PINSRW instruction, 5-13
- PMINSW instruction, 5-28
- PMINUB instruction, 5-28
- PMOVMASKB instruction, 5-14
- PMULHUW instruction, 5-28
- predictable memory access patterns, 7-5
- prefetch
 - 64-bit mode, 9-5
 - coding guidelines, 7-2
 - compiler intrinsics, 7-2
 - concatenation, 7-19
 - deterministic cache parameters, 7-37
 - hardware mechanism, 7-3
 - characteristics, 7-13
 - latency, 7-14
 - how instructions designed, 7-5
 - innermost loops, 7-5
 - instruction considerations
 - cache block techniques, 7-22
 - checklist, 7-17
 - concatenation, 7-18
 - hint mechanism, 7-4
 - minimizing number, 7-20
 - scheduling distance, 7-17
 - single-pass execution, 7-2, 7-27
 - spread with computations, 7-21
 - strip-mining, 7-24
 - summary of, 7-4
 - instruction variants, 7-5
 - latency hiding/reduction, 7-15
 - load instructions, 7-6
 - memory access patterns, 7-5
 - memory optimization with, 7-12
 - minimizing number of, 7-20
 - scheduling distance, 7-2, 7-17
 - software data, 7-4
 - spreading, 7-22
 - when introduced, 7-1
- PREFETCHNT0 instruction, 7-6
- PREFETCHNT1 instruction, 7-6
- PREFETCHNT2 instruction, 7-6
- PREFETCHNTA instruction, 7-6, 7-24
 - usage guideline, 7-2
- PREFETCHT0 instruction, 7-24
 - usage guideline, 7-2
- producer-consumer model, 8-6
- profile-guided optimization, A-6
- PSADBW instruction, 5-28
- PSHUF instruction, 5-15
- P-states, 10-1
- Q–R**
- Qparallel, 8-11
- ratios, B-50
 - branching and front end, B-52
- references, 1-3

releases of, 2-48
 replay, B-2
 rounding control option, A-5
 rules, E-1

S

sampling

event-based, A-11

scheduling distance (PSD), 7-17

Self-modifying code, 3-63

SFENCE Instruction, 7-10

SHUFPS instruction, 6-3, 6-7

signed unpack, 5-7

SIMD

auto-vectorization, 4-15

cache instructions, 7-1

classes, 4-14

coding techniques, 4-10

data alignment for MMX, 4-19

data and stack alignment, 4-16

data slignment for 128-bits, 4-19

example computation, 2-45

history, 2-45

identifying hotspots, 4-9

instruction selection, 4-28

loop blocking, 4-26

memory utilization, 4-21

microarchitecture differences, 4-29

MMX technology support, 4-2

padding to align data, 4-17

parallelism, 4-10

SSE support, 4-2

SSE2 support, 4-3

SSE3 support, 4-4

SSSE3 support, 4-6

stack alignment for 128-bits, 4-18

strip-mining, 4-25

using arrays, 4-17

vectorization, 4-10

VTune capabilities, 4-9

SIMD floating-point instructions

copying, shuffling, 6-12

data arrangement, 6-3

data deswizzling, 6-10

data swizzling, 6-7

different microarchitectures, 6-16

general rules, 6-1

horizontal ADD, 6-13

Intel Core Duo processors, 6-22

Intel Core Solo processors, 6-22

planning considerations, 6-1

reciprocal instructions, 6-1

scalar code, 6-2

SSE3 complex math, 6-18

SSE3 FP programming, 6-17

using

ADDSUBPS, 6-19

CVTTPS2PI, 6-16

CVTTSS2SI, 6-16

FXCH, 6-2

HADDPS, 6-22

HSUBPS, 6-22

MOVAPD, 6-3

MOVAPS, 6-3

MOVHLPs, 6-13

MOVHPS, 6-7, 6-10

MOVLHPS, 6-13

MOVLPS, 6-7, 6-10

MOVSHDUP, 6-19

MOVSLDUP, 6-19

MOVUPD, 6-3

MOVUPS, 6-3

SHUFPS, 6-3, 6-7

UNPACKHPS, 6-7

UNPACKLPS, 6-7

UNPCKHPS, 6-10

UNPCKLPS, 6-10

vertical vs horizontal computation, 6-3

with x87 FP instructions, 6-2

SIMD technology, 2-48

SIMD-integer instructions

64-bits to 128-bits, 5-36

data alignment, 5-4

data movement techniques, 5-6

extract word, 5-12

insert word, 5-13

integer intensive, 5-1

memory optimizations, 5-31

move byte mask to integer, 5-14

optimization by architecture, 5-37

packed average byte (or word), 5-30

packed multiply high unsigned, 5-28

packed shuffle word, 5-15

packed signed integer word maximum, 5-28

packed sum of absolute differences, 5-28

rules, 5-1

signed unpack, 5-7

unsigned unpack, 5-6

using

EMMS, 5-2

MOVDDQ, 5-35

MOVQ2DQ, 5-18

PABSW, 5-20

PACKSSDW, 5-8

PADDQ, 5-31

PALIGNR, 5-4

PAVGB, 5-30

PAVGW, 5-30

PEXTRW, 5-12

PINSRW, 5-13

PMADDWD, 5-30

PMAXSW, 5-28

PMAXUB, 5-28

PMINSW, 5-28

PMINUB, 5-28

INDEX

- PMOVMSKB, 5-14
 - PMULHUW, 5-28
 - PMULHW, 5-28
 - PMULUDQ, 5-31
 - PSADBW, 5-28
 - PSHUF, 5-15
 - PSHUFB, 5-21, 5-24
 - PSHUFLW, 5-17
 - PSLLDQ, 5-31
 - PSRLDQ, 5-31
 - PSUBQ, 5-31
 - PUNPCHQDQ, 5-18
 - PUNPCKLQDQ, 5-18
 - simplified 3D geometry pipeline, 7-15
 - simplified clipping to an arbitrary signed range, 5-27
 - single vs multi-pass execution, 7-27
 - sleep transitions, 10-7
 - smart cache, 2-36
 - SoA format, 4-23
 - software write-combining, 7-30
 - spin-loops, 10-6
 - optimization, 3-9
 - PAUSE instruction, 3-9
 - related information, 1-3
 - SSE, 2-48
 - SSE2, 2-48
 - SSE3, 2-49
 - SSSE3, 2-49
 - stack
 - aligned EDP-based frames, D-4
 - aligned ESP-based frames, D-3
 - alignment 128-bit SIMD, 4-18
 - alignment stack, 3-59
 - dynamic alignment, 3-59
 - frame optimizations, D-6
 - inlined assembly & EBX, D-7
 - Intel C++ Compiler support for, D-1
 - overview, D-1
 - state transitions, 10-2
 - static branch prediction algorithm, 3-10
 - static power, 10-1
 - static prediction, 3-9
 - streaming stores, 7-7
 - coherent requests, 7-9
 - improving performance, 7-7
 - non-coherent requests, 7-9
 - strip-mining, 4-25, 4-26, 7-24, 7-25
 - prefetch considerations, 7-26
 - structures
 - aligning, 3-56
 - suggestions, E-1
 - summary of coding rules, E-1
 - swizzling data
 - See data swizzling.
 - system bus optimization, 8-23
- ## T
- tagging, B-2
 - tagging mechanisms
 - execution_event, B-37
 - front_end_event, B-37
 - replay_event, B-35
 - time-based sampling, A-11
 - time-consuming innermost loops, 7-5
 - time-stamp counter, B-5
 - non-sleep clock ticks, B-5
 - RDTSC instruction, B-5
 - sleep pin, B-5
 - TLB. See transaction lookaside buffer
 - trace cache
 - events, B-30
 - transaction lookaside buffer, 7-32
 - transcendental functions, 3-86
- ## U
- unpack instructions, 5-10
 - UNPACKHPS instruction, 6-7
 - UNPACKLPS instruction, 6-7
 - UNPCKHPS instruction, 6-10
 - UNPCKLPS instruction, 6-10
 - unrolling loops
 - benefits of, 3-15
 - code examples, 3-16
 - limitation of, 3-15
 - unsigned unpack, 5-6
 - using MMX code for copy, shuffling, 6-12
- ## V
- vector class library, 4-15
 - vectorized code
 - auto generation, A-6
 - automatic vectorization, 4-15
 - high-level examples, A-6
 - parallelism, 4-10
 - SIMD architecture, 4-10
 - switch options, A-4
 - vertical vs horizontal computation, 6-3
- ## W–X
- WaitForSingleObject(), 10-6
 - WaitMessage(), 10-6
 - weakly ordered stores, 7-7
 - WiFi, 10-7
 - WLAN, 10-7
 - workload characterization
 - retirement throughput, A-11
 - write-combining
 - buffer, 7-30
 - memory, 7-30
 - semantics, 7-8
 - XCHG EAX,EAX, support for, 3-31

INTEL SALES OFFICES

ASIA PACIFIC

Australia

Intel Corp.
Level 2
448 St Kilda Road
Melbourne VIC
3004
Australia
Fax:613-9862 5599

China

Intel Corp.
Paharpur Business
Centre
Rm 709, Shaanxi
Zhongda Int'l Bldg
No.30 Nandajie Street
Xian AX710002
China
Fax:(86 29) 7203356

Intel Corp.
Rm 2710, Metropolitan
Tower
68 Zourong Rd
Chongqing CQ
400015
China

Intel Corp.
C1, 15 Flr, Fujian
Oriental Hotel
No. 96 East Street
Fuzhou FJ
350001
China

Intel Corp.
Rm 5803 CITIC Plaza
233 Tianhe Rd
Guangzhou GD
510613
China

Intel Corp.
Rm 1003, Orient Plaza
No. 235 Huayuan Street
Nangang District
Harbin HL
150001
China

Intel Corp.
Rm 1751 World Trade
Center, No 2
Han Zhong Rd
Nanjing JS
210009
China

Intel Corp.
Hua Xin International
Tower
215 Qing Nian St.
ShenYang LN
110015
China

Intel Corp.
Suite 1128 CITIC Plaza
Jinan
150 Luo Yuan St.
Jinan SN
China

Intel Corp.
Suite 412, Holiday Inn
Crownse Plaza
31, Zong Fu Street
Chengdu SU
610041
China
Fax:86-28-6785965

Intel Corp.
Room 0724, White Rose
Hotel
No 750, MinZhu Road
WuChang District
Wuhan UB
430071
China

India

Intel Corp.
Paharpur Business
Centre
21 Nehru Place
New Delhi DH
110019
India

Intel Corp.
Hotel Rang Sharda, 6th
Floor
Bandra Reclamation
Mumbai MH
400050
India
Fax:91-22-6415578

Intel Corp.
DBS Corporate Club
31A Cathedral Garden
Road
Chennai TD
600034
India

Intel Corp.
DBS Corporate Club
2nd Floor, 8 A.A.C. Bose
Road
Calcutta WB
700017
India

Japan

Intel Corp.
Kokusai Bldg 5F, 3-1-1,
Marunouchi
Chiyoda-Ku, Tokyo
1000005
Japan

Intel Corp.
2-4-1 Terauchi
Toyonaka-Shi
Osaka
5600872
Japan

Malaysia

Intel Corp.
Lot 102 1/F Block A
Wisma Semantan
12 Jalan Gelenggang
Damansara Heights
Kuala Lumpur SL
50490
Malaysia

Thailand

Intel Corp.
87 M. Thai Tower, 9th Fl.
All Seasons Place,
Wireless Road
Lumpini, Patumwan
Bangkok
10330
Thailand

Viet Nam

Intel Corp.
Hanoi Tung Shing
Square, Ste #1106
2 Ngo Quyen St
Hoan Kiem District
Hanoi
Viet Nam

EUROPE & AFRICA

Belgium

Intel Corp.
Woluwelaan 158
Diegem
1831
Belgium

Czech Rep

Intel Corp.
Nahorni 14
Brno
61600
Czech Rep

Denmark

Intel Corp.
Soelodden 13
Maaloev
DK2760
Denmark

Germany

Intel Corp.
Sandstrasse 4
Aichner
86551
Germany

Intel Corp.
Dr Weyerstrasse 2
Juelich
52428
Germany

Intel Corp.
Buchenweg 4
Wildberg
72218
Germany

Intel Corp.
Kemnader Strasse 137
Bochum
44797
Germany

Intel Corp.
Klaus-Schaefer Strasse
16-18
Erfstadt NW
50374
Germany

Intel Corp.
Heldmanskamp 37
Lemgo NW
32657
Germany

Italy

Intel Corp Italia Spa
Milanofiori Palazzo E/4
Assago
Milan
20094
Italy
Fax:39-02-57501221

Netherland

Intel Corp.
Strausslaan 31
Heesch
5384CW
Netherland

Poland

Intel Poland
Developments, Inc
Jerozolimskie Business
Park
Jerozolimskie 146c
Warsaw
2305
Poland
Fax:+48-22-570 81 40

Portugal

Intel Corp.
PO Box 20
Alcabideche
2765
Portugal

Spain

Intel Corp.
Calle Rioja, 9
Bajo F Izquierda
Madrid
28042
Spain

South Africa

Intel SA Corporation
Bldg 14, South Wing,
2nd Floor
Uplands, The Woodlands
Western Services Road
Woodmead
2052
Sth Africa
Fax:+27 11 806 4549

Intel Corp.
19 Summit Place,
Halfway House
Cnr 5th and Harry
Galaun Streets
Midrad
1685
Sth Africa

United Kingdom

Intel Corp.
The Manse
Silver Lane
Needingworth CAMBS
PE274SL
UK

Intel Corp.
2 Cameron Close
Long Melford SUFFK
CO109TS
UK

Israel

Intel Corp.
MTM Industrial Center,
P.O.Box 498
Haifa
31000
Israel
Fax:972-4-8655444

LATIN AMERICA &

CANADA

Argentina

Intel Corp.
Dock IV - Bldg 3 - Floor 3
Olga Cossetini 240
Buenos Aires
C1107BVA
Argentina

Brazil

Intel Corp.
Rua Carlos Gomez
111/403
Porto Alegre
90480-003
Brazil

Intel Corp.
Av. Dr. Chucri Zaidan
940 - 10th Floor
San Paulo
04583-904
Brazil

Columbia

Intel Corp.
Av. Rio Branco,
1 - Sala 1804
Rio de Janeiro
20090-003
Brazil

Columbia

Intel Corp.
Carrera 7 No. 71021
Torre B. Oficina 603
Santefe de Bogota
Columbia

Mexico

Intel Corp.
Av. Mexico No. 2798-9B,
S.H.
Guadalajara
44680
Mexico

Intel Corp.
Torre Esmeralda II,
7th Floor
Blvd. Manuel Avila
Comacho #36
Mexico Cith DF
11000
Mexico

Intel Corp.
Piso 19, Suite 4
Av. Batallon de San
Patricio No 111
Monterrey, Nuevo le
66269
Mexico

Canada

Intel Corp.
168 Bonis Ave, Suite 202
Scarborough
MIT3V6
Canada
Fax:416-335-7695

Intel Corp.
3901 Highway #7,
Suite 403
Vaughan
L4L 8L5
Canada
Fax:905-856-8868

Intel Corp.
999 CANADA PLACE,
Suite 404,#11
Vancouver BC
V6C 3E2
Canada
Fax:604-844-2813

Intel Corp.
2650 Queensview Drive,
Suite 250
Ottawa ON
K2B 8H6
Canada
Fax:613-820-5936

Intel Corp.
190 Attwell Drive,
Suite 500
Rexdale ON
M9W 6H8
Canada
Fax:416-675-2438

Intel Corp.
171 St. Clair Ave. E,
Suite 6
Toronto ON
Canada

Intel Corp.
1033 Oak Meadow Road
Oakville ON
L6M 1J6
Canada

USA
California
Intel Corp.
551 Lundy Place
Milpitas CA
95035-6833
USA
Fax:408-451-8266

Intel Corp.
1551 N. Tustin Avenue,
Suite 800
Santa Ana CA
92705
USA
Fax:714-541-9157

Intel Corp.
Executive Center del Mar
12230 El Camino Real
Suite 140
San Diego CA
92130
USA
Fax:858-794-5805

Intel Corp.
1960 E. Grand Avenue,
Suite 150
El Segundo CA
90245
USA
Fax:310-640-7133

Intel Corp.
23120 Alicia Parkway,
Suite 215
Mission Viejo CA
92692
USA
Fax:949-586-9499

Intel Corp.
30851 Agoura Road
Suite 202
Agoura Hills CA
91301
USA
Fax:818-874-1166

Intel Corp.
28202 Cabot Road,
Suite #363 & #371
Laguna Niguel CA
92677
USA

Intel Corp.
657 S Cendros Avenue
Solana Beach CA
90075
USA

Intel Corp.
43769 Abeloe Terrace
Fremont CA
94539
USA

Intel Corp.
1721 Warburton, #6
Santa Clara CA
95050
USA

Colorado
Intel Corp.
600 S. Cherry Street,
Suite 700
Denver CO
80222
USA
Fax:303-322-8670

Connecticut
Intel Corp.
Lee Farm Corporate Pk
83 Wooster Heights
Road
Danbury CT
6810
USA
Fax:203-778-2168

Florida
Intel Corp.
7777 Glades Road
Suite 310B
Boca Raton FL
33434
USA
Fax:813-367-5452

Georgia
Intel Corp.
20 Technology Park,
Suite 150
Norcross GA
30092
USA
Fax:770-448-0875

Intel Corp.
Three Northwinds Center
2500 Northwinds
Parkway, 4th Floor
Alpharetta GA
30092
USA
Fax:770-663-6354

Idaho
Intel Corp.
910 W. Main Street, Suite
236
Boise ID
83702
USA
Fax:208-331-2295

Illinois
Intel Corp.
425 N. Martingale Road
Suite 1500
Schaumburg IL
60173
USA
Fax:847-605-9762

Intel Corp.
999 Plaza Drive
Suite 360
Schaumburg IL
60173
USA

Intel Corp.
551 Arlington Lane
South Elgin IL
60177
USA

Indiana
Intel Corp.
9465 Counselors Row,
Suite 200
Indianapolis IN
46240
USA
Fax:317-805-4939

Massachusetts
Intel Corp.
125 Nagog Park
Acton MA
01720
USA
Fax:978-266-3867

Intel Corp.
59 Composit Way
suite 202
Lowell MA
01851
USA

Intel Corp.
800 South Street,
Suite 100
Waltham MA
02154
USA

Maryland
Intel Corp.
131 National Business
Parkway, Suite 200
Annapolis Junction MD
20701
USA
Fax:301-206-3678

Michigan
Intel Corp.
32255 Northwestern
Hwy., Suite 212
Farmington Hills MI
48334
USA
Fax:248-851-8770

Minnesota
Intel Corp.
3600 W 80Th St
Suite 450
Bloomington MN
55431
USA
Fax:952-831-6497

North Carolina
Intel Corp.
2000 CentreGreen Way,
Suite 190
Cary NC
27513
USA
Fax:919-678-2818

New Hampshire
Intel Corp.
7 Suffolk Park
Nashua NH
03063
USA

New Jersey
Intel Corp.
90 Woodbridge Center
Dr. Suite. 240
Woodbridge NJ
07095
USA
Fax:732-602-0096

New York
Intel Corp.
628 Crosskeys Office Pk
Fairport NY
14450
USA
Fax:716-223-2561

Intel Corp.
888 Veterans Memorial
Highway
Suite 530
Hauppauge NY
11788
USA
Fax:516-234-5093

Ohio
Intel Corp.
3401 Park Center Drive
Suite 220
Dayton OH
45414
USA
Fax:937-890-8658

Intel Corp.
56 Milford Drive
Suite 205
Hudson OH
44236
USA
Fax:216-528-1026

Oregon
Intel Corp.
15254 NW Greenbrier
Parkway, Building B
Beaverton OR
97006
USA
Fax:503-645-8181

Pennsylvania
Intel Corp.
925 Harvest Drive
Suite 200
Blue Bell PA
19422
USA
Fax:215-641-0785

Intel Corp.
7500 Brooktree
Suite 213
Wexford PA
15090
USA
Fax:714-541-9157

Texas
Intel Corp.
5000 Quorum Drive,
Suite 750
Dallas TX
75240
USA
Fax:972-233-1325

Intel Corp.
20445 State Highway
249, Suite 300
Houston TX
77070
USA
Fax:281-376-2891

Intel Corp.
8911 Capital of Texas
Hwy, Suite 4230
Austin TX
78759
USA
Fax:512-338-9335

Intel Corp.
7739 La Verdura Drive
Dallas TX
75248
USA

Intel Corp.
77269 La Cabeza Drive
Dallas TX
75249
USA

Intel Corp.
3307 Northland Drive
Austin TX
78731
USA

Intel Corp.
15190 Prestonwood
Blvd. #925
Dallas TX
75248
USA
Intel Corp.

Washington
Intel Corp.
2800 156Th Ave. SE
Suite 105
Bellevue WA
98007
USA
Fax:425-746-4495

Intel Corp.
550 Kirkland Way
Suite 200
Kirkland WA
98033
USA

Wisconsin
Intel Corp.
405 Forest Street
Suites 109/112
Oconomowoc WI
53066
USA